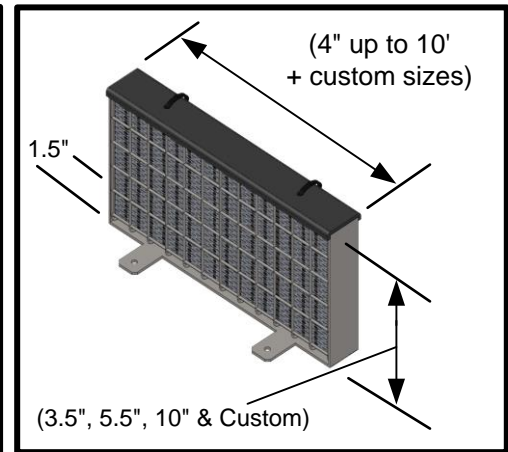
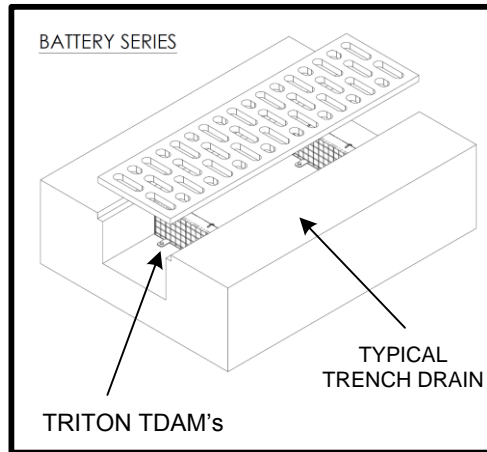
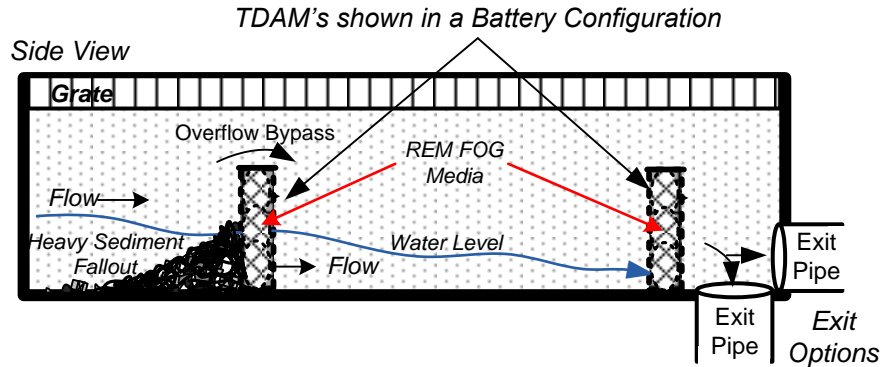


REM's TRITON – TDAM (Trench Drain Filter) Series

REM designed the TRITON -TDAM Filter Series to provide a highly adaptable solution that allows the flexibility to maximize the filter treatment flow rates and pollutant capturing capacity in trench drain and shallow type drains applications. TRITON -TDAM Filters may be utilized in new construction or retrofitted into existing drain structures. They are sized to spec and scalable for all different lengths and applications. Media strategy may also be optimized for specific pollutant concerns.



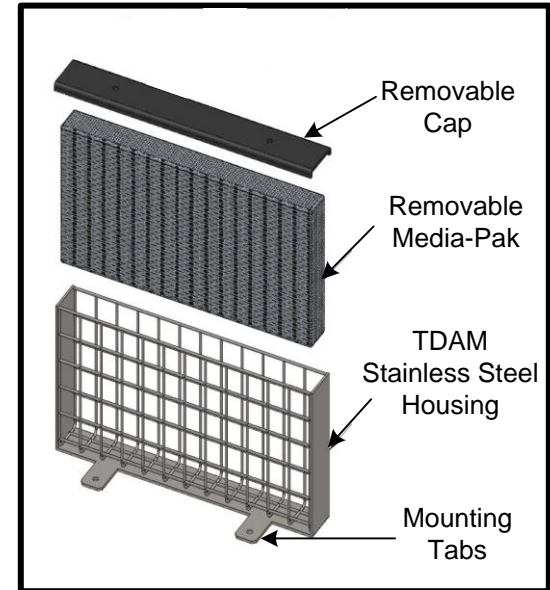
Notes:

- All dimensions are in inches, unless otherwise noted.
- REM TRITON TDAM Filters can be sized to fit most industry standard trench drains, parkway drains, shallow structures, catch basins, etc. REM also designs custom filters for unique storm water infrastructures and applications.
- REM TRITON TDAM filter cartridge housings are constructed utilizing Type 304 Stainless Steel, with 1" X 1" welded square openings.
- Multiple TDAM Filter Inserts can be staged in line with one another in order to provide additional levels of filtration (Battery Series).
- REM TRITON replacement Filter Media Packs are charged with REM FOG media an expanded volcanic ash medium treated to be highly hydrophobic housed in a durable geo-textile perforated polypropylene woven fabric. REM FOG media effectively encapsulates liquefied petroleum hydrocarbons (Fats, Oils & Grease including animal fats). The media's hydrophobic characteristic allows for greater polishing of flow resulting in the reduction of Total Suspended Solids (TSS). Suspended solid reduction includes but is not limited to debris, trash, silt sediment and agglomerated heavy metals. (Additional media options are available including mixed blends of granulated carbon [AC] and Zeolite [ZEO].)
- Filter Height should be designed to allow for a high flow overflow bypass to eliminate pooling or flooding during heavy rain events.
- REM's disposable Media Filter Packs are easily removed for maintenance.
- See REM Specifier Sheets for size, model and flow rate information.
- REM TRITON filters are to be installed and maintained in accordance with manufacturer recommendations.
- Maintenance information and replacement REM Media Packs are available upon request by contacting REM at sales@remfilters.com or (888) 526-4736.
- Made in the USA.

MADE IN USA



TDAM installed



TRITON – TDAM SERIES FILTER
By REM Inc. (888.526.4736)
www.remfilters.com

THE DESIGN AND DETAIL OF THIS DRAWING IS THE PROPERTY OF REM INC. AND IS NOT TO BE USED EXCEPT IN CONNECTION WITH OUR WORK. DESIGN AND INVENTION RIGHTS ARE RESERVED.			
U.S. Patent Pending			
PH: (888) 526-4736		DRAWN BY: C.F.	FOR: Trench Drains - Other
DIMENSIONS ARE IN INCHES UNLESS OTHERWISE NOTED.		SCALE 1/4 : 1	DATE: 8/3/2013
		SHEET 1 OF 1	REV

REM Inc.

TRITON TDAM FILTER SERIES

(For trench drains and other applications)