

REM's TR55-SEP Oil/Water SEPARATOR

The REM TR55-SEP Series, above ground Separator was designed as a cost effective measure for the separation of sand/silt & hydrocarbons etc. from above ground runoff. The technology originated from the catch basin filter inserts that are mounted below storm grates to catch pollutants from storm water. This systems is mounted above ground for easy maintenance and servicing. The cartridge systems are easy to change-out and service. The system can also be adjusted and adaptable to each sites specific needs.



TR55-SEP Oil/Water Separator



Inlet Fitting

Removable Media Packs
Media Pack's can also be made of different Geo-textiles to allow customizing for different types of removal along with different types of media.



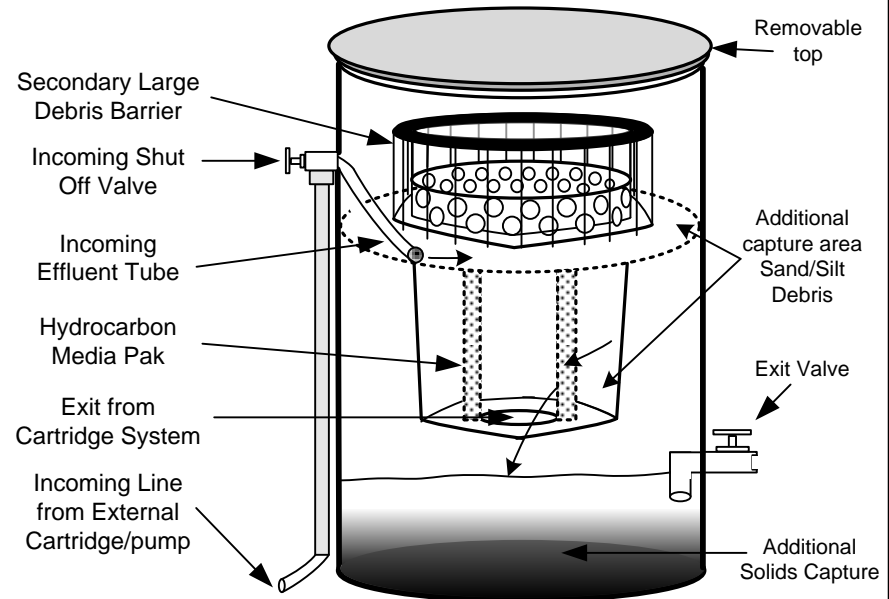
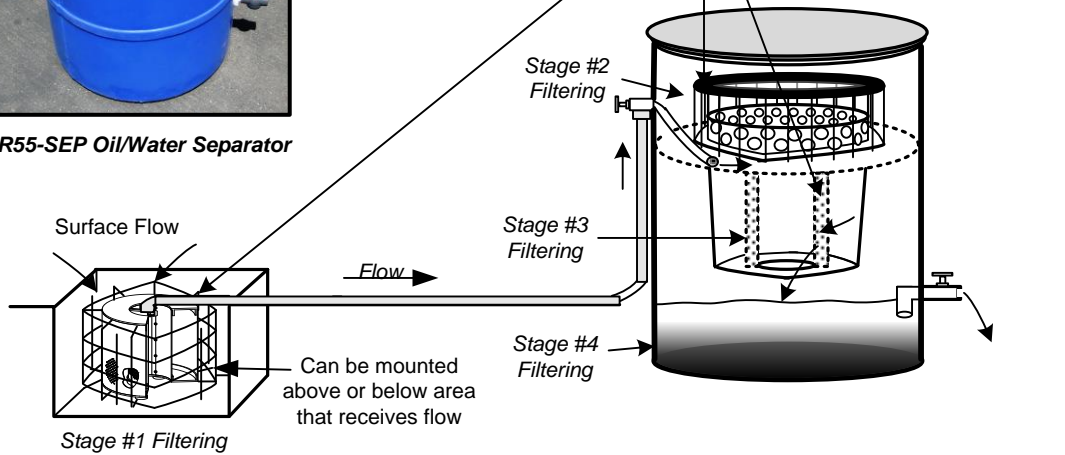
Common Exit Pipe hook-up



Removable Cartridge Housing



Primary Filter Housing



Notes:

- REM Separators are available in sizes to fit most applications. Units can be designed to remove different pollutants.
- REM Separators External Cartridge System has an external cage with 2" square openings made of .162 Dia. (8-Gauge) Type 304 Stainless Steel.
- Filter cartridge housings are constructed utilizing Type 304 Stainless Steel, with 2" welded square openings.
- Removable cartridge tops are constructed utilizing over 80% recycled ABS Plastic.
- Primary Separator and all internal parts are made of H.D.P.E. Non-Reactive High Density Polyethylene Plastic.
- REM TRITON replacement Filter Media Packs are charged with REM FOG media an expanded volcanic ash medium treated to be highly hydrophobic housed in a durable geo-textile perforated polypropylene woven fabric. REM FOG media effectively encapsulates liquefied petroleum hydrocarbons (Fats, Oils & Grease including animal fats). The media's hydrophobic characteristic allows for greater polishing of flow resulting in the reduction of Total Suspended Solids (TSS). Suspended solid reduction includes but is not limited to debris, trash, silt sediment and agglomerated heavy metals. (Additional media options are available including mixed blends of granulated carbon [AC] and Zeolite [ZEO]).
- Filter design requires effluent to be filtered through two separate Media Pack systems. (Media Pack's can be customized for different removal needs)
- Maintenance information and replacement REM Media Packs are available upon request by contacting REM at sales@remfilters.com or (888) 526-4736.
- Made in the USA.

THE DESIGN AND DETAIL OF THIS DRAWING IS THE PROPERTY OF REM INC. AND IS NOT TO BE USED EXCEPT IN CONNECTION WITH OUR WORK, DESIGN AND INVENTION RIGHTS ARE RESERVED.

Patent Pending

PH: (888) 526-4736

DIMENSIONS ARE IN INCHES UNLESS OTHERWISE NOTED.

REM Inc.

REM's TR55-SEP Oil/Water Separator
(Designed for above ground)

size	DRAWN BY:	FOR:	REV
	C.F.	Above Ground Separation	
scale	1/4 : 1	DATE: 8/12/2014	Sheet 1 OF 1