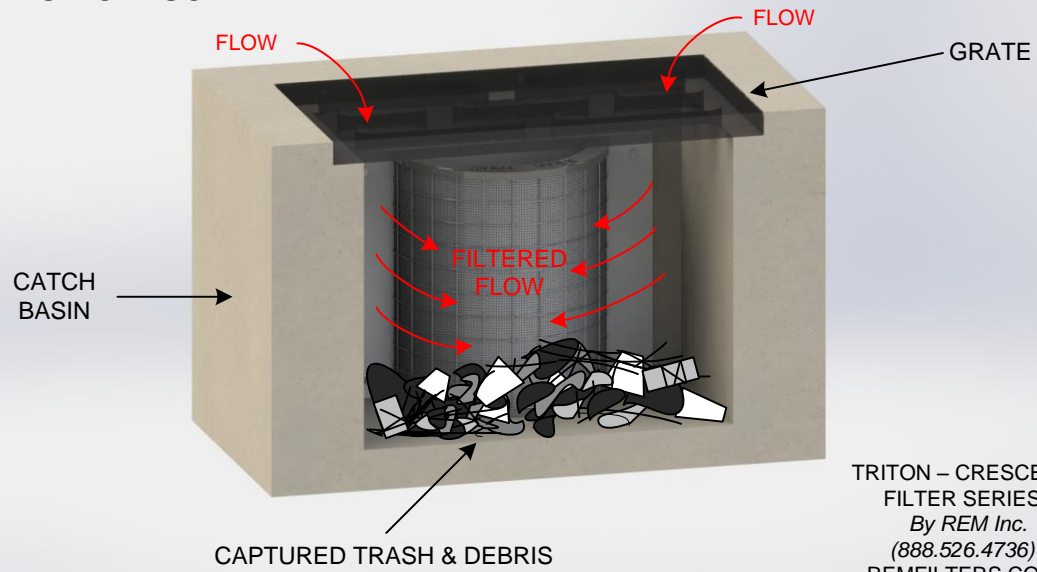
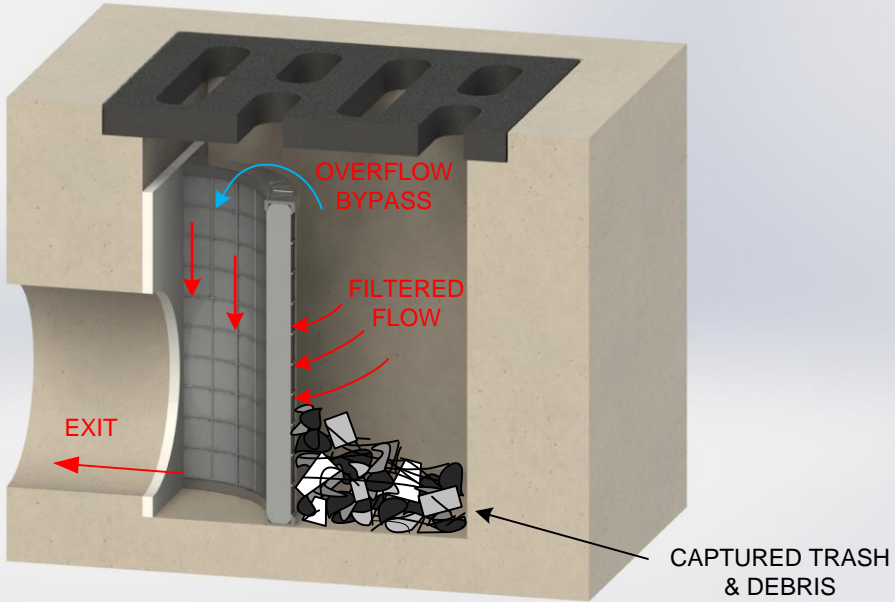


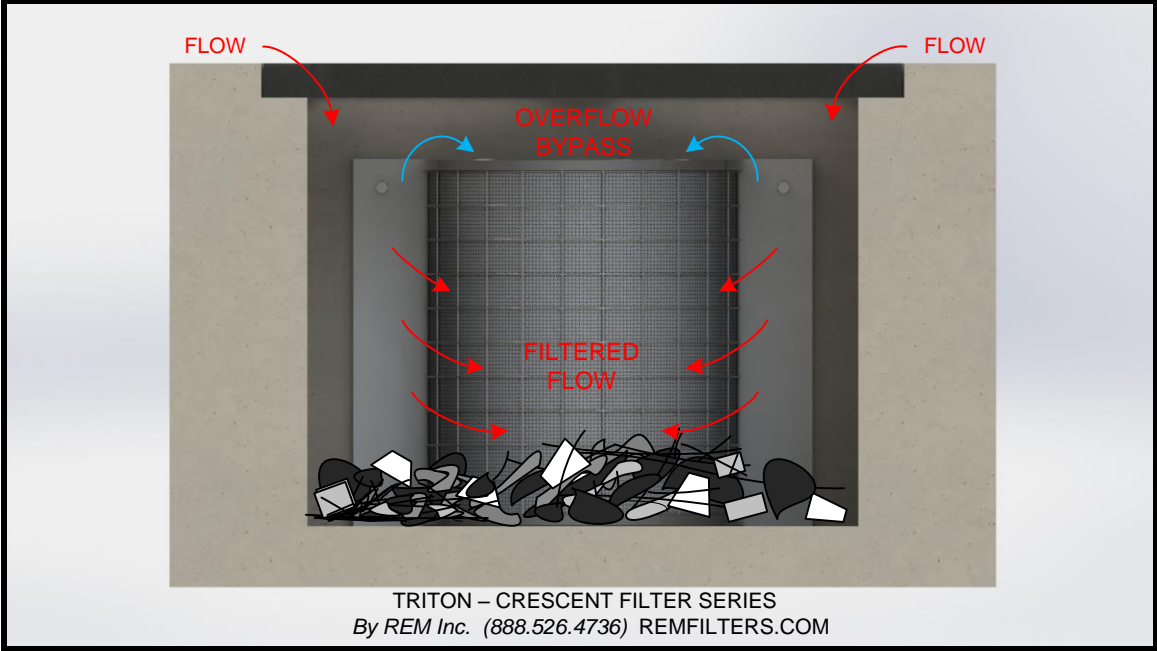
TRITON CRESCENT FILTER



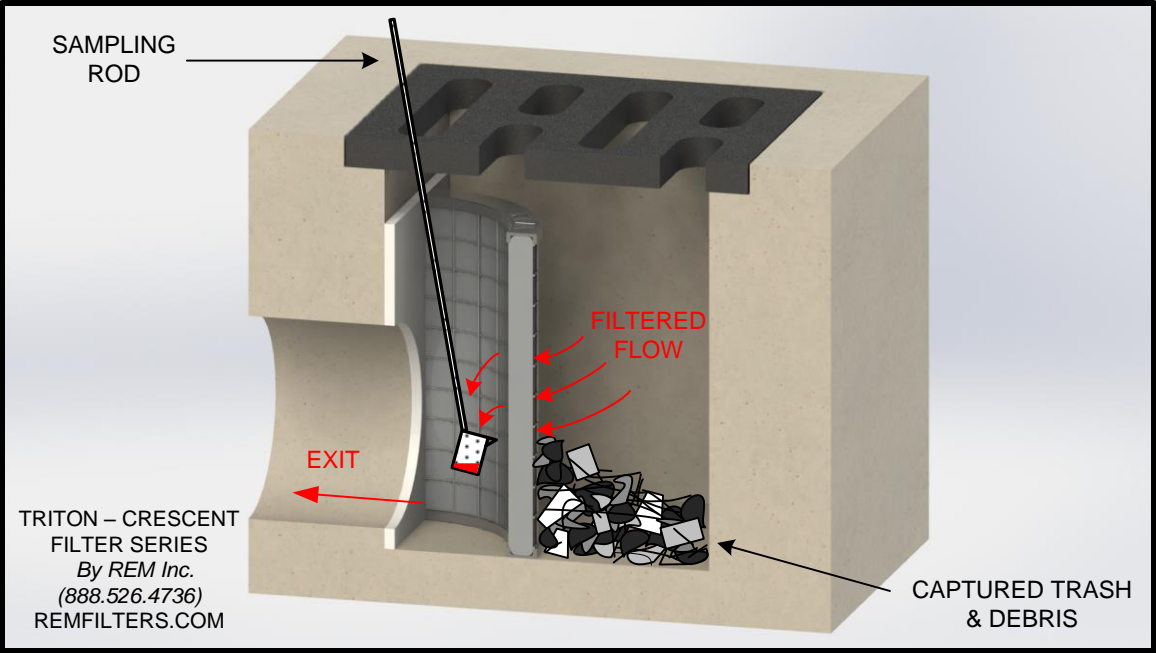
TRITON – CRESCENT
FILTER SERIES
By REM Inc.
(888.526.4736)
REMFILTERS.COM

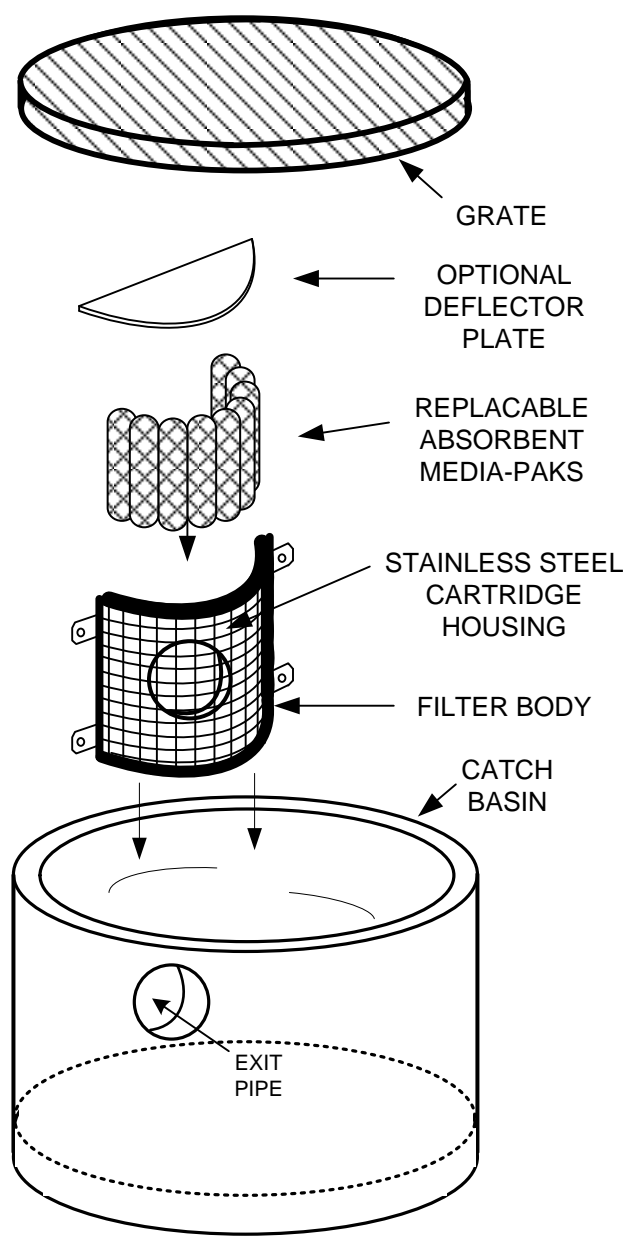
TRITON – CRESCENT
FILTER SERIES
By REM Inc.
(888.526.4736)
REMFILTERS.COM



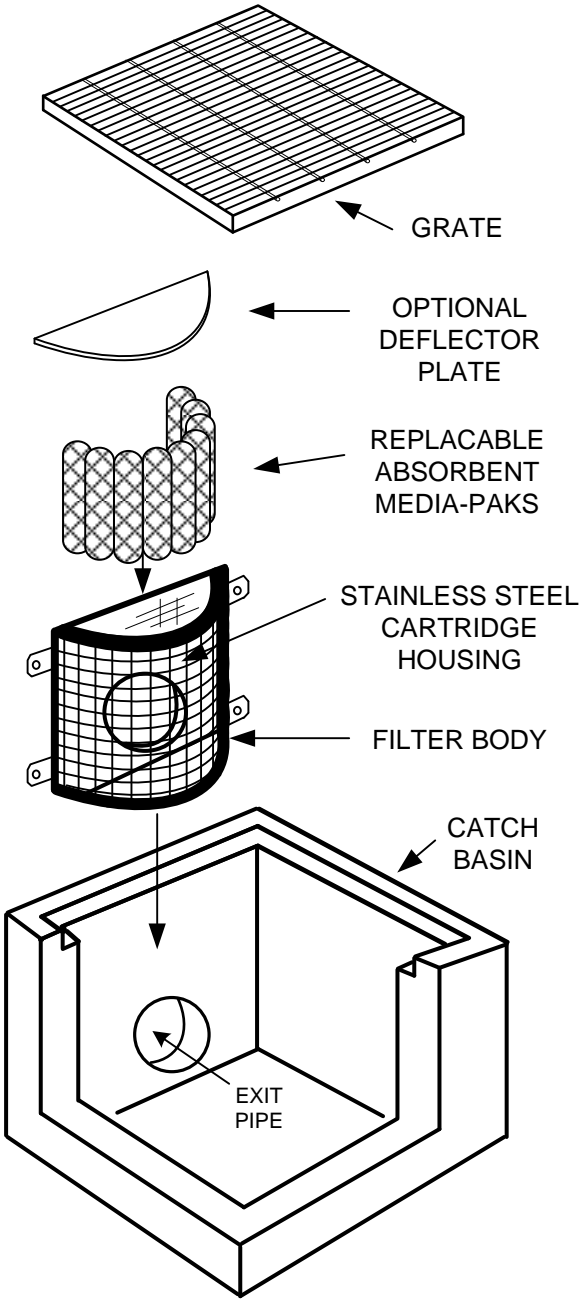


TRITON - CRESCENT FILTER SERIES
By REM Inc. (888.526.4736) REMFILTERS.COM

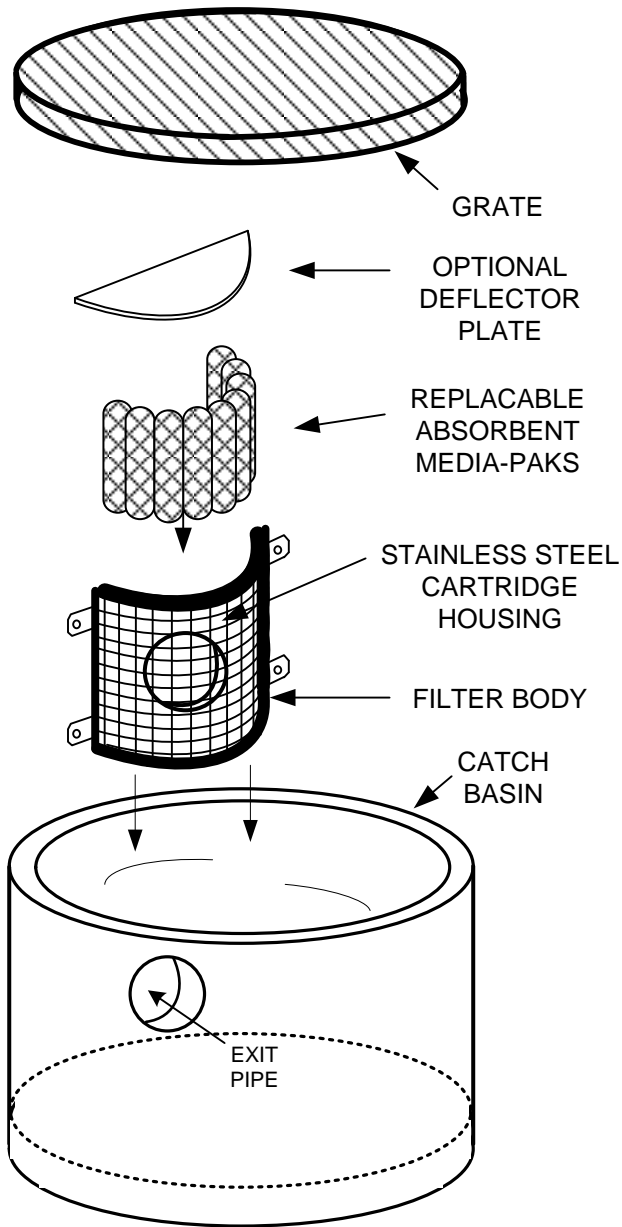




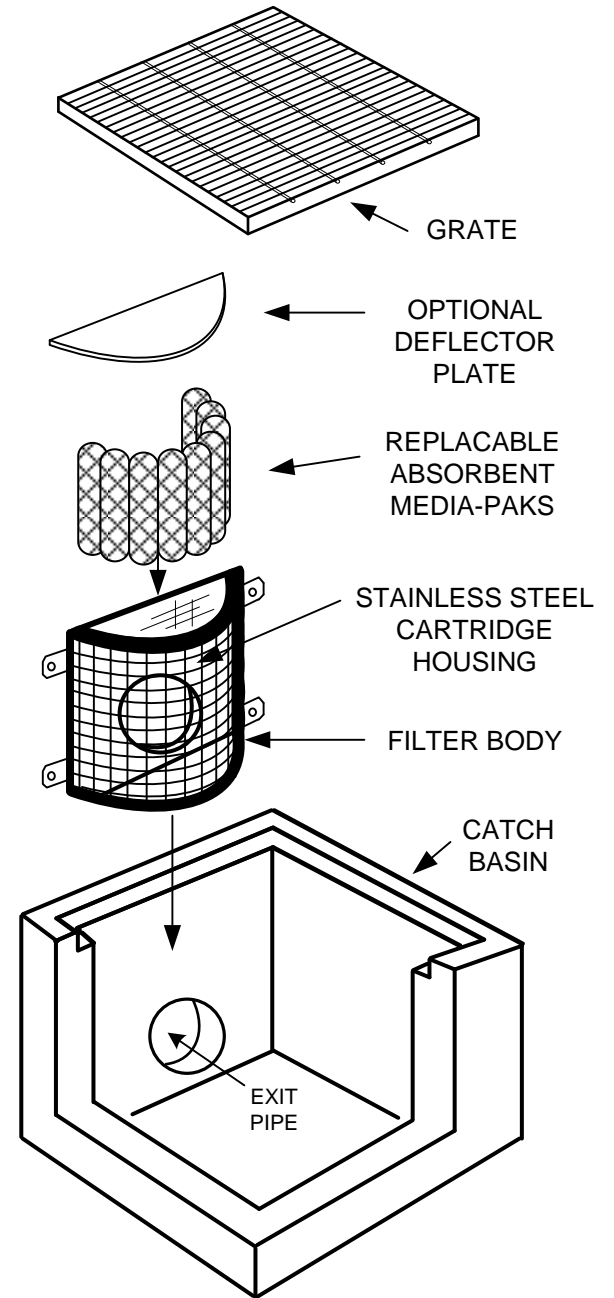
TRITON – Crescent SERIES FILTER
By REM Inc. (888.526.4736)
www.remfilters.com



TRITON – Crescent SERIES FILTER
By REM Inc. (888.526.4736)
www.remfilters.com

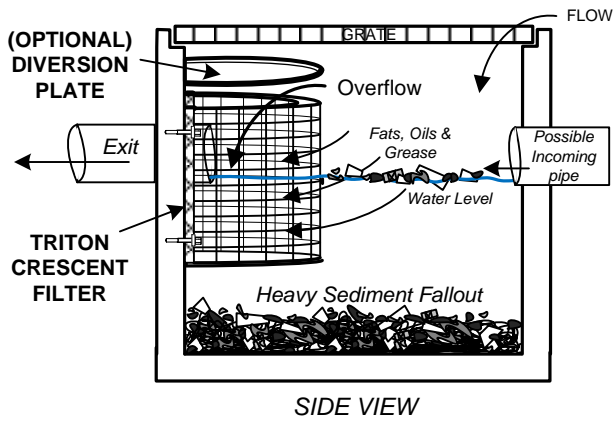


TRITON – Crescent SERIES FILTER
 By REM Inc. (888.526.4736)
 Www.remfilters.com



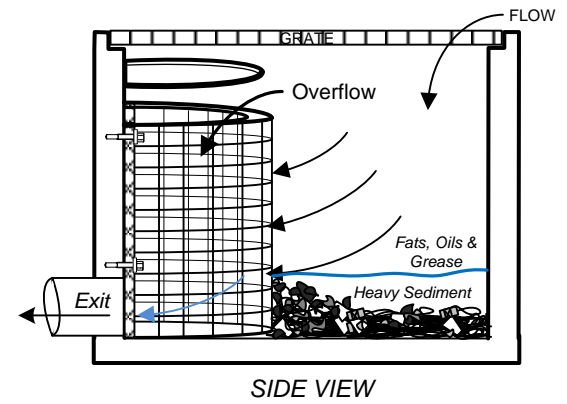
TRITON – Crescent SERIES FILTER
 By REM Inc. (888.526.4736)
 Www.remfilters.com

CRESCENT FILTER with Solid Bottom
 (For catch basins with high exiting pipes)



TRITON – CRESCENT FILTER SERIES
 By REM Inc. (888.526.4736)
 REMFILTERS.COM

CRESCENT FILTER with Solid Bottom
 (For catch basins with low (standard) exiting pipes)



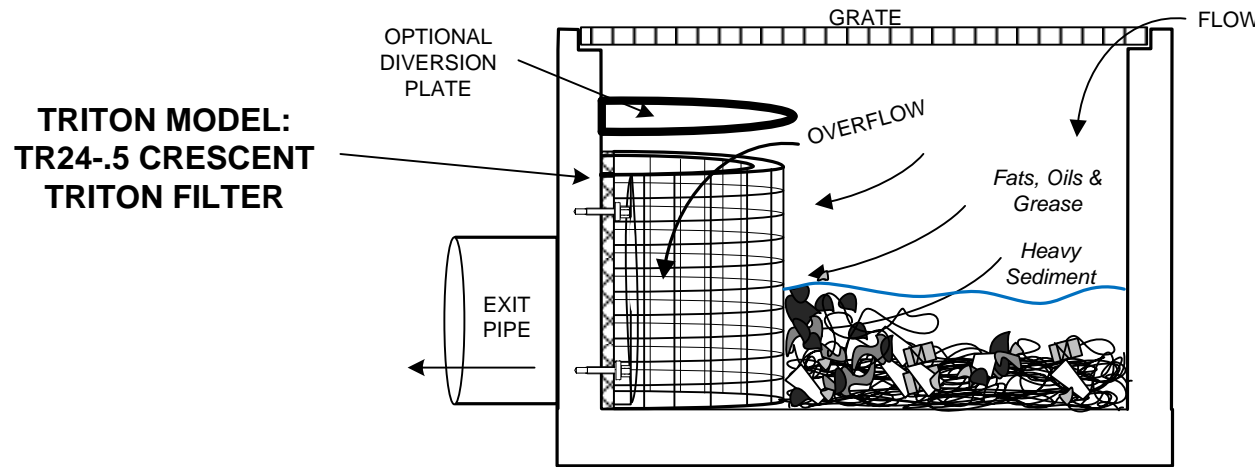
TRITON – CRESCENT FILTER SERIES
 By REM Inc. (888.526.4736)
 REMFILTERS.COM

TRITON TOP HAT and Crescent Filter SERIES

(Catch Basin Design Configurations)

REM Inc.

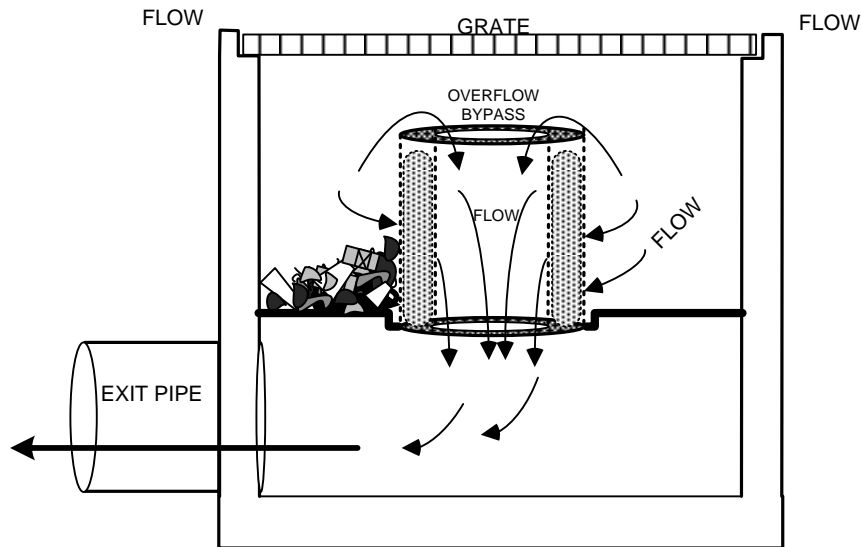
TRITON Crescent Filter Configurations are recommended in catch basins having a single exit pipe.



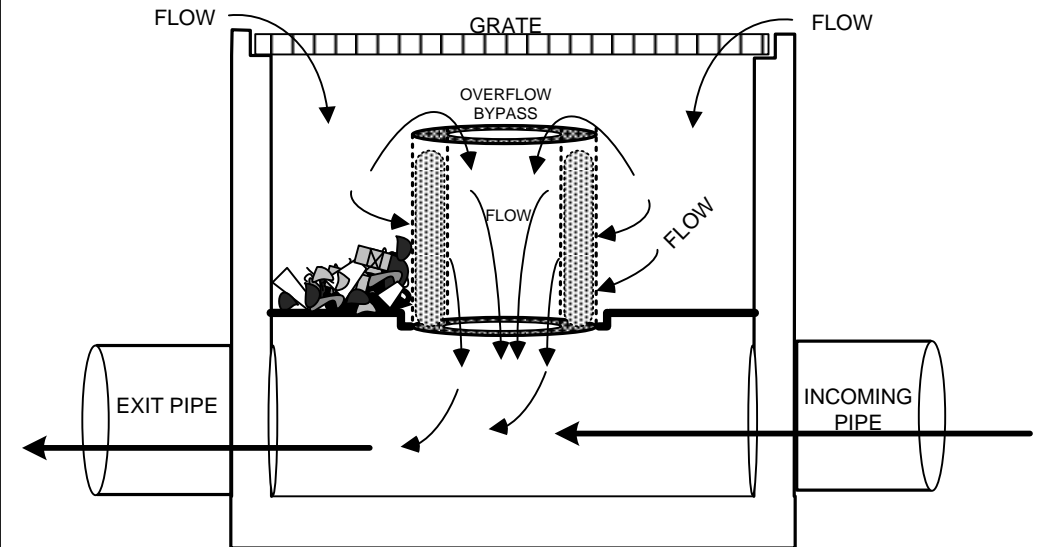
- *Crescent Filters maximize capturing area and treatment rates in shallow and small catch basins.*
- *Crescent Filters provide flexibility for irregular asymmetrical catch basins.*
- *Crescent Filters are not recommend in catch basins with incoming subterranean pipes.*

Single Exit Pipe Configuration

TRITON Top Hat Filters used in both end of line single exit pipes and flow through piping below



Single Exit Pipe Configuration



Incoming Lateral line and Exiting Pipe Configuration