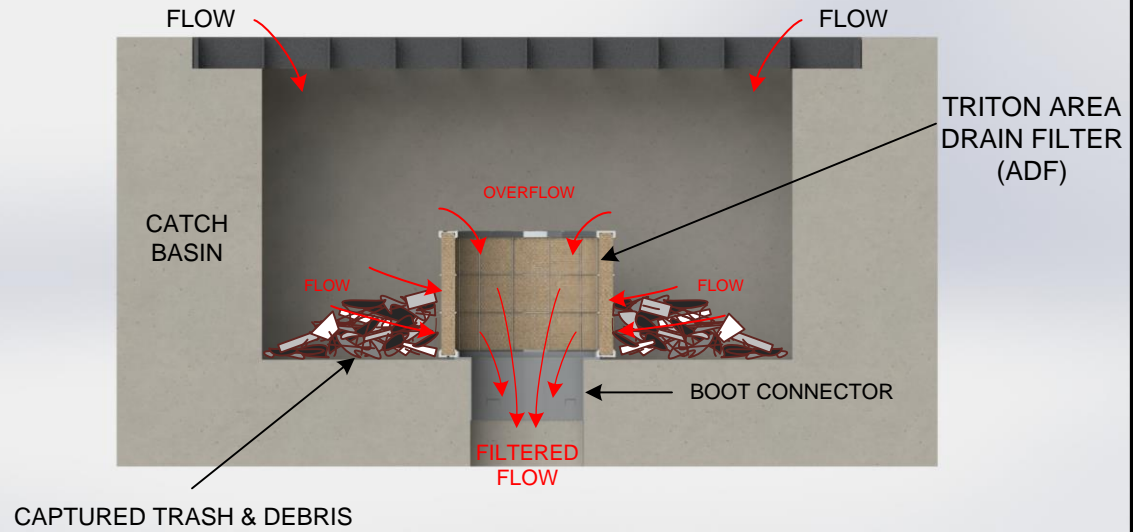
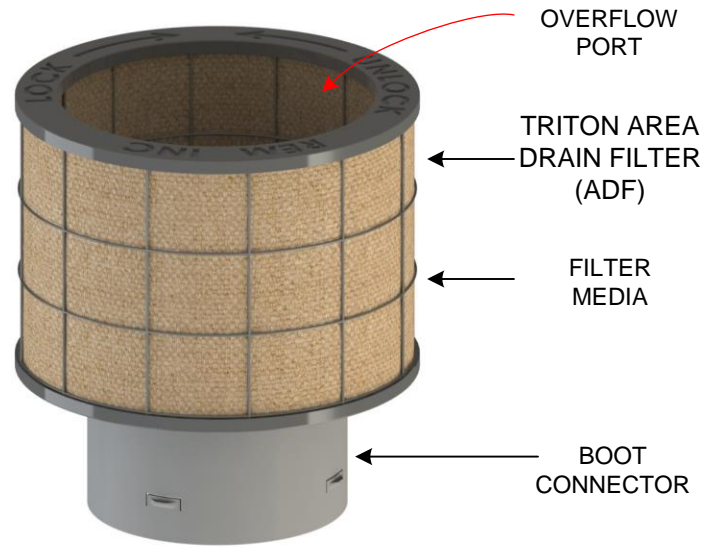


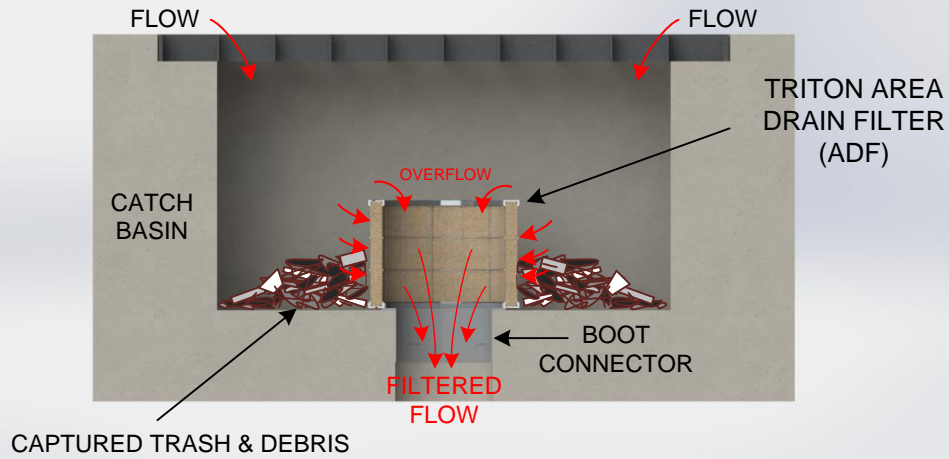
TRITON – ADF (AREA DRAIN) FILTER SERIES
By REM Inc. (888.526.4736) REMFILTERS.COM



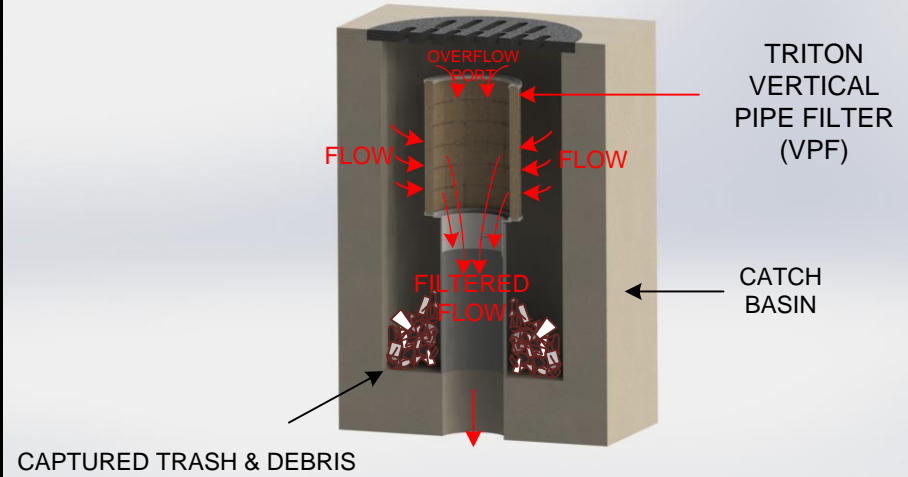
TRITON – ADF (AREA DRAIN) FILTER SERIES
By REM Inc. (888.526.4736)
REMFILTERS.COM



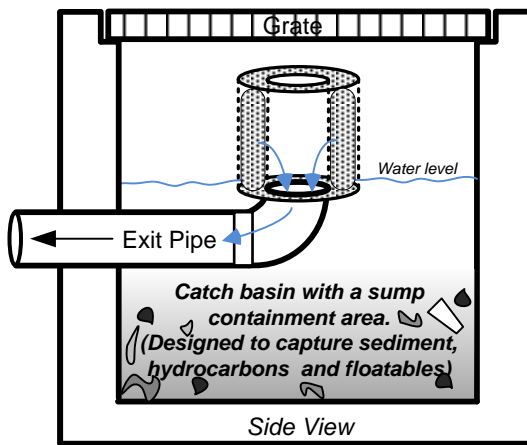
TRITON – ADF (AREA DRAIN) FILTER SERIES
By REM Inc. (888.526.4736) REMFILTERS.COM



TRITON – VPF (VERTICAL PIPE) FILTER SERIES
By REM Inc. (888.526.4736) REMFILTERS.COM

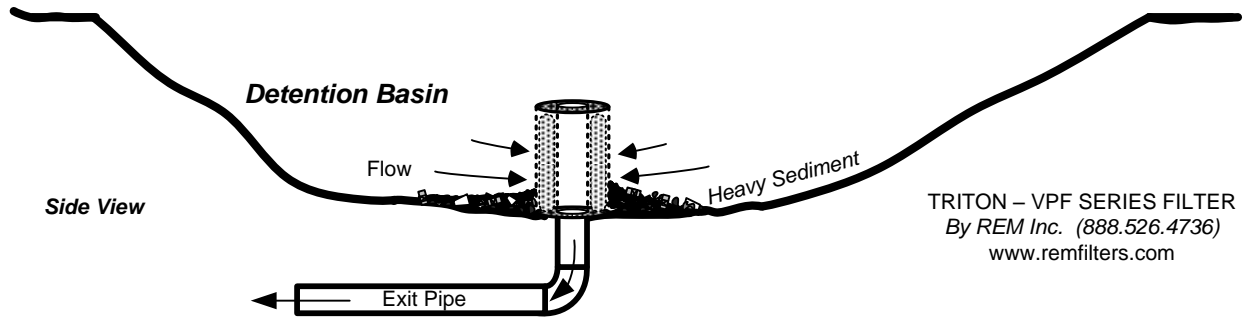


DIFFERENT TYPES OF APPLICATIONS



TRITON – VPF SERIES FILTER
By REM Inc. (888.526.4736)
www.remfilters.com

Typical Detention/settling Basin Installation Shown



VPF (Vertical Pipe Filter) shown in a trench drain with a vertical exit pipe.

