

Sizing Guide for Area and Roof Drain Inlets

REM Inc.

AREA & ROOF DRAIN SIZING GUIDE

(Designed to help determine what size filters are required for each catch basin on site)

For Curb, Drop Inlets or other questions please call
(888) 526-4736.

Once you have sized your drains you may either fax or email back your measurements to:

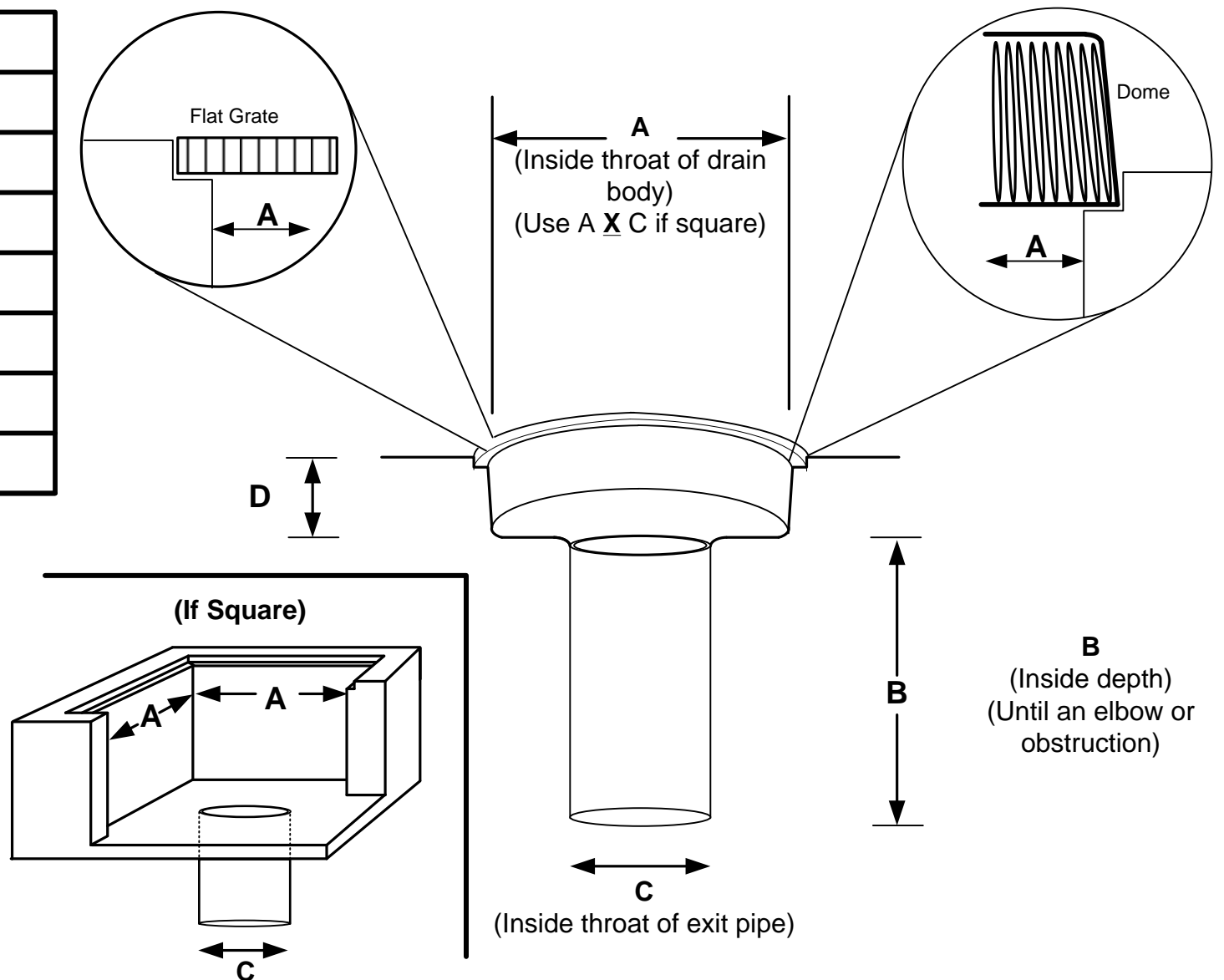
Fax: (925) 676-8676
Or
Email: sales@remfilters.com

Customer: _____ Contact: _____
Ph: (____) _____ Fax: (____) _____
Project/Tract#: _____
Location: _____ Page _____ of _____

| Drain # | Quantity | Catch Basin I.D. | | | | Grate Dimensions | | |
|---------|----------|------------------|---|---|---|------------------|---|---|
| | | A | B | C | D | E | F | G |
| | | | | | | | | |
| | | | | | | | | |
| | | | | | | | | |
| | | | | | | | | |
| | | | | | | | | |
| | | | | | | | | |
| | | | | | | | | |
| | | | | | | | | |

- NOTES:**
1. Please fill in all dimensions that apply within 1/8".
 2. Please mark the location of any obstructions such as pipes, locking plates, etc.
 3. Dimensions A & C are the clear openings or (inside throat) of the catch basin and exiting pipe.
 4. Dimension B is measured from the bottom of the drain body to the bottom the first elbow or lateral line.
 5. Dimension D is the depth of the drain body.

COMMENTS:



Please mark which grate your drain has:

| | | |
|--|--|---|
| <input type="checkbox"/> Flat Grate | <input type="checkbox"/> A Flat Bottom (A) → | <input type="checkbox"/> Domed Grate Height and Width of Drain Dome |
| | <input type="checkbox"/> B "Keyhole" / Coped Bottom (B) → | |

Sizing Guide for Area & Roof Drains

REM Inc.

AREA & ROOF DRAIN SIZING GUIDE

(Designed to help determine what size filters are required for each catch basin on site)

For Curb, Drop Inlets or other questions please call (888) 526-4736.

Once you have sized your drains you may either fax or email back your measurements to:

Fax: (925) 676-8676

Or

Email: Sales@remfilters.com

Customer: _____ Contact: _____

Ph: (____) _____ Fax: (____) _____

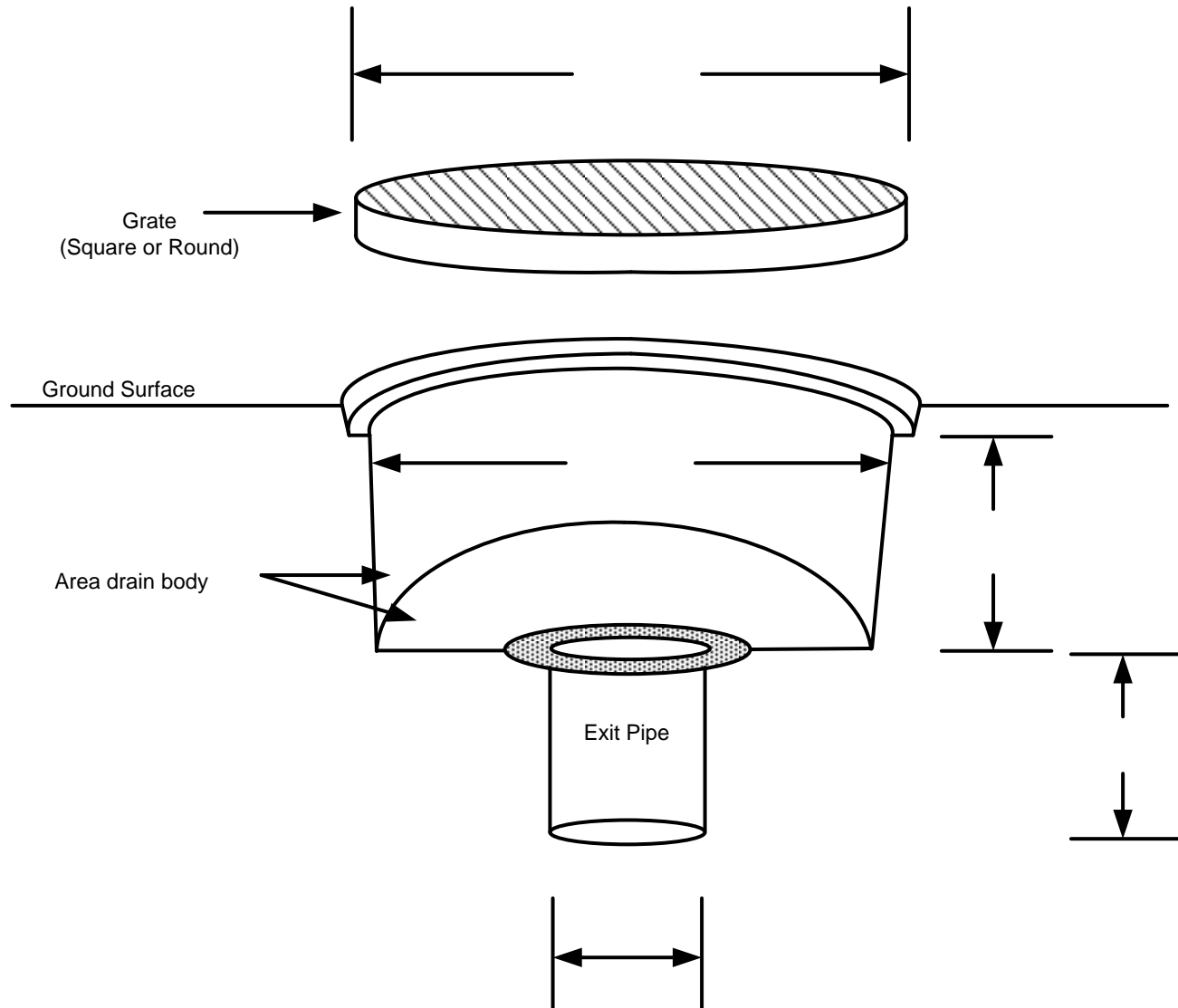
Project/Tract#: _____

Location: _____ Page _____ of _____

REM's ADF & RDF Sizing Guide (For Area Drains & Roof Drains)

Side View Cut – Area Drain with Flat Grate

Qty:



Side View Cut – Area Drain with Domed Grate

Qty:

