

Sizing Guide for Area and Roof Drain Inlets

REM Inc.

AREA & ROOF DRAIN SIZING GUIDE

(Designed to help determine what size filters are required for each catch basin on site)

For Curb, Drop Inlets or other questions please call
(888) 526-4736.

Once you have sized your drains you may either fax or email back your measurements to:

Fax: (925) 676-8676
Or
Email: sales@remfilters.com

Customer: _____ Contact: _____

Ph: (____) _____ Fax: (____) _____

Project/Tract#: _____

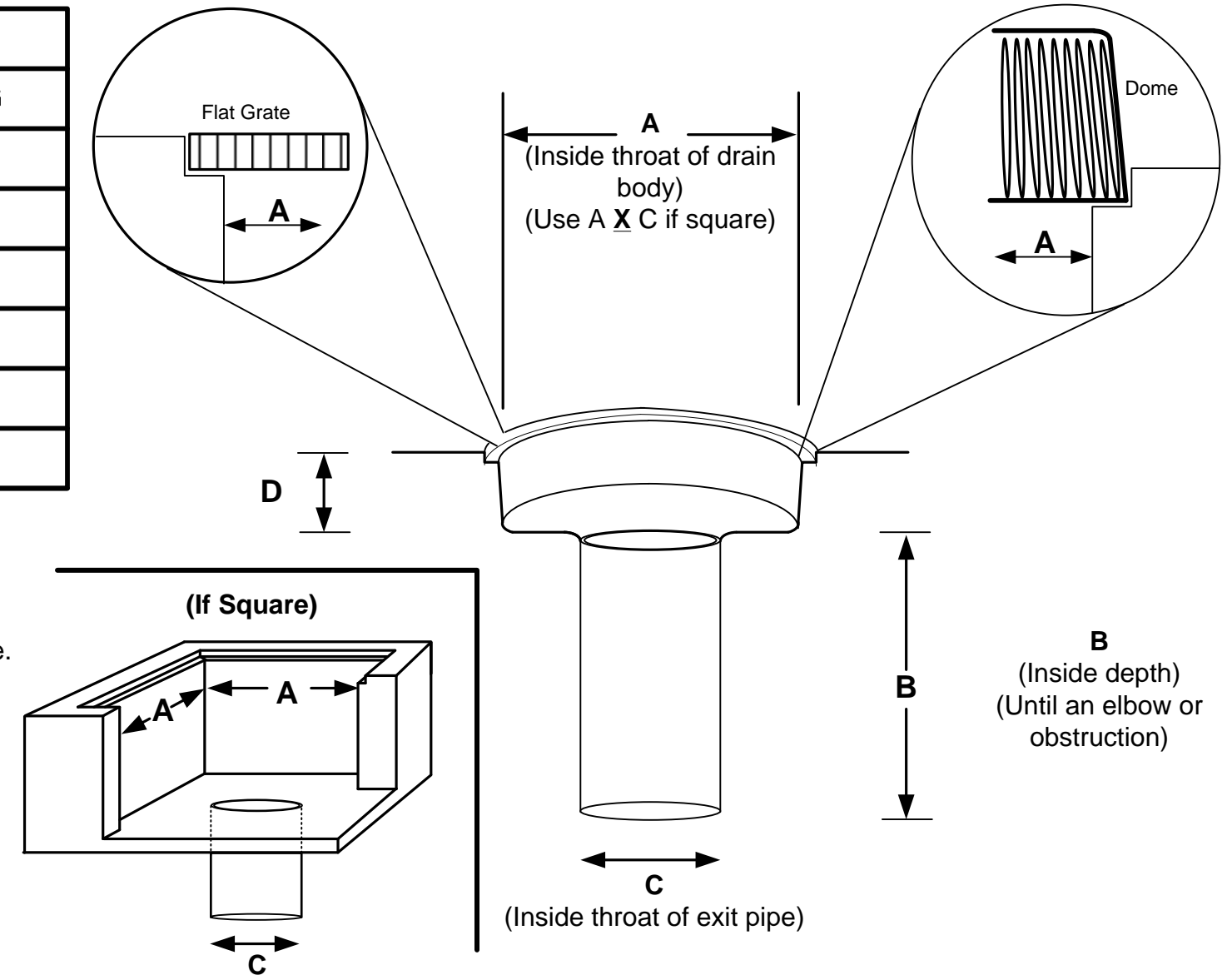
Location: _____ Page _____ of _____

Drain #	Quantity	Catch Basin I.D.				Grate Dimensions		
		A	B	C	D	E	F	G

NOTES:

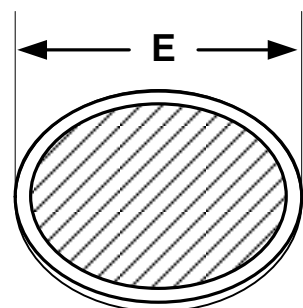
1. Please fill in all dimensions that apply within 1/8".
2. Please mark the location of any obstructions such as pipes, locking plates, etc.
3. Dimensions A & C are the clear openings or (inside throat) of the catch basin and exiting pipe.
4. Dimension B is measured from the bottom of the drain body to the bottom the first elbow or lateral line.
5. Dimension D is the depth of the drain body.

COMMENTS:



Please mark which grate your drain has:

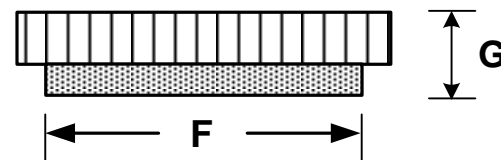
Flat Grate



A Flat Bottom (A)

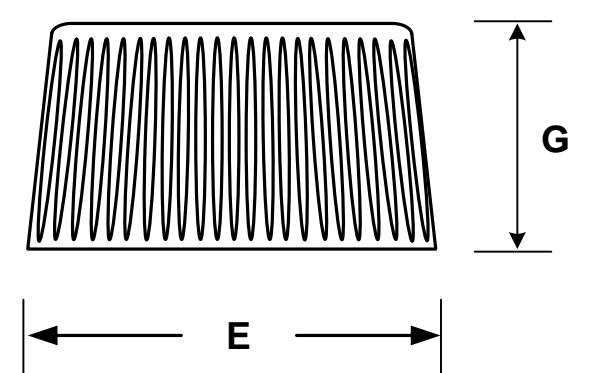


B "Keyhole" / Coped Bottom (B)



Domed Grate

Height and Width of Drain Dome



Sizing Guide for Area & Roof Drains

REM Inc.

AREA & ROOF DRAIN SIZING GUIDE

(Designed to help determine what size filters are required for each catch basin on site)

For Curb, Drop Inlets or other questions please call (888) 526-4736.

Once you have sized your drains you may either fax or email back your measurements to:

Fax: (925) 676-8676

Or

Email: Sales@remfilters.com

Customer: _____ Contact: _____

Ph: (____) _____ Fax: (____) _____

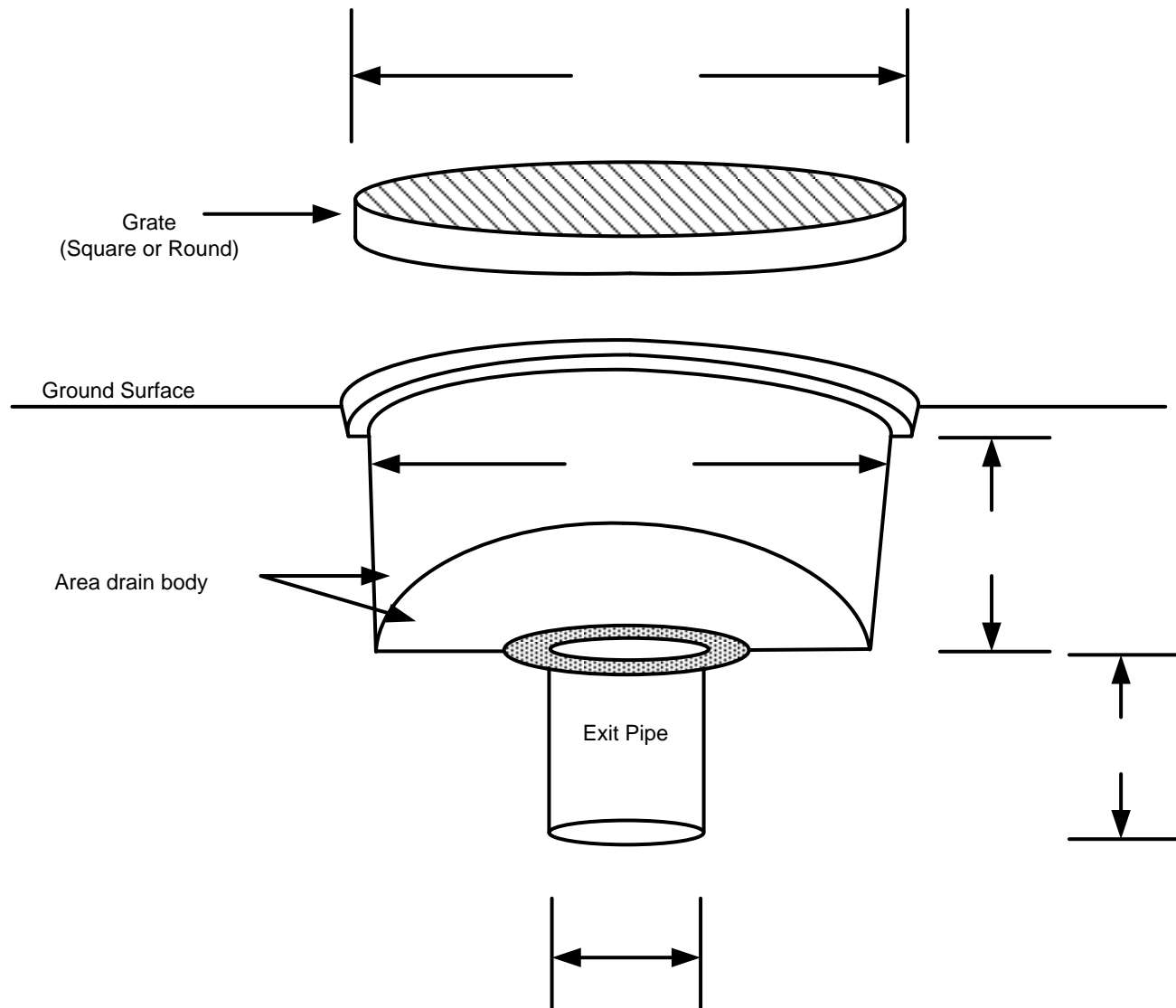
Project/Tract#: _____

Location: _____ Page _____ of _____

REM's ADF & RDF Sizing Guide (For Area Drains & Roof Drains)

Side View Cut – Area Drain with Flat Grate

Qty:



Side View Cut – Area Drain with Domed Grate

Qty:

