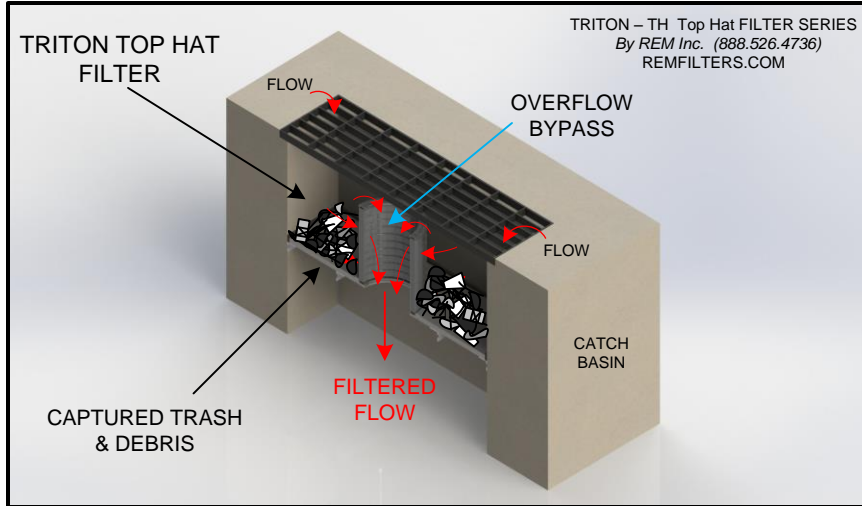


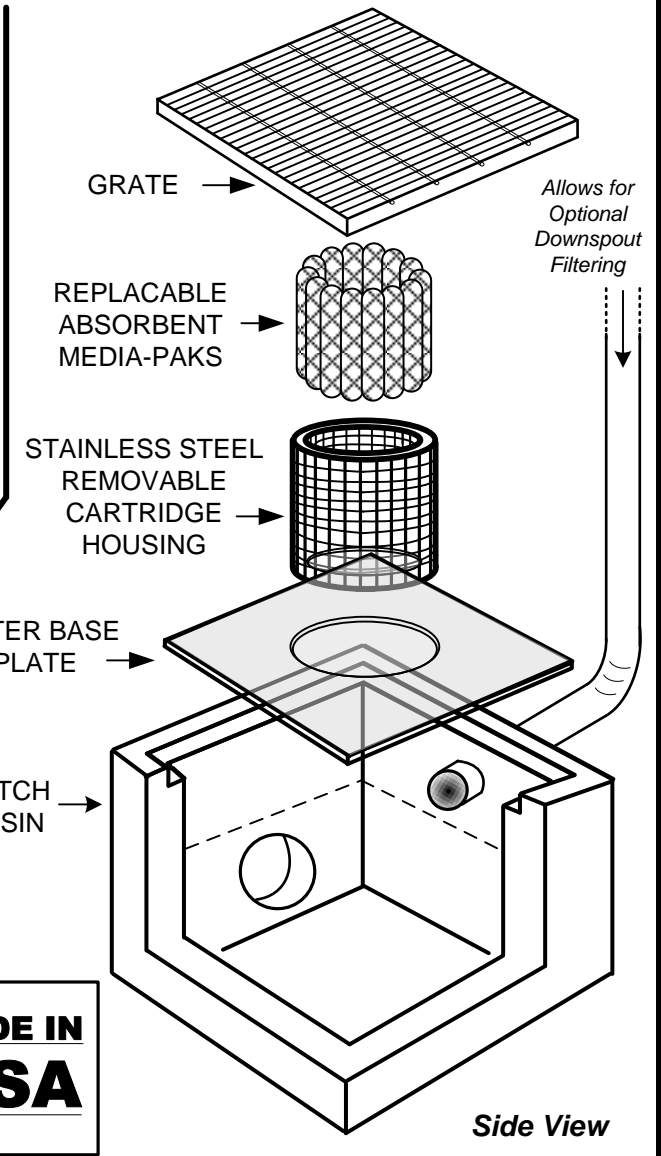
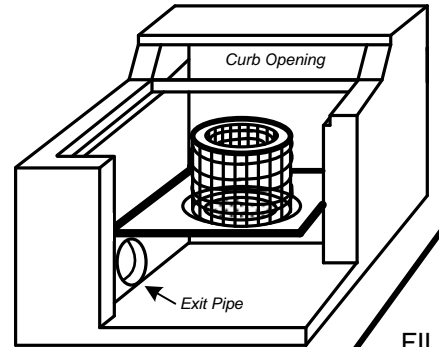
# REM's TRITON – TH (Top Hat) Series

REM designed the TRITON -TH (Top Hat) Filter Series to provide a highly adaptable solution that allows the flexibility to maximize the filter treatment flow rates and pollutant capturing capacity. TRITON -TH filters may be utilized in new construction or retrofitted in existing catch basin structures. They are sized to spec or modified in the field for drains with unusual dimensions and unique frame and grates. Filter Cartridges may be easily removed when servicing. Media strategy may be optimized for specific pollutant concerns.



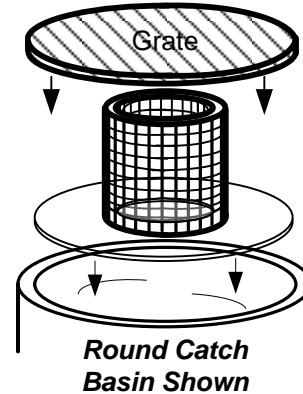
TRITON – TH Top Hat FILTER SERIES  
By REM Inc. (888.526.4736)  
REMFILTERS.COM

Shown with a Combination Curb/  
Grated Catch Basin



## Notes:

- The TRITON - TH Series Filters may be customized in the field to fit catch basins with irregular dimensions or unusual frame and grate types. REM also designs custom filters for unique storm water infrastructures and applications.
- Base plates are constructed using High Density Polyethylene Plastic (HDPE).
- Filter cartridge housings are constructed utilizing Type 304 Stainless Steel, with 2" welded square openings.
- Removable cartridge tops are constructed utilizing over 80% recycled ABS Plastic.
- REM TRITON replacement Filter Media Packs are charged with REM FOG media an expanded volcanic ash medium treated to be highly hydrophobic housed in a durable geo-textile perforated polypropylene woven fabric. REM FOG media effectively encapsulates liquefied petroleum hydrocarbons (Fats, Oils & Grease including animal fats). The media's hydrophobic characteristic allows for greater polishing of flow resulting in the reduction of Total Suspended Solids (TSS). Suspended solid reduction includes but is not limited to debris, trash, silt sediment and agglomerated heavy metals. (Additional media options are available including mixed blends of granulated carbon [AC] and Zeolite [ZEO].)
- REM TRITON filter cartridges are removable for ease of cleaning and maintenance.
- Filter designs include a high flow overflow bypass to eliminate pooling or flooding during heavy rain events.
- See our Specifier Sheet for sizes, models and flow rate information.
- Maintenance information and replacement REM Media Packs are available upon request by contacting REM at sales@remfilters.com or (888) 526-4736.
- Made in the USA.



Cartridge Diameter size may vary by catch basin. Taller cartridge options provide greater volume capacity and increased treatment rates.

THE DESIGN AND DETAIL OF THIS DRAWING IS THE PROPERTY OF REM INC. AND IS NOT TO BE USED EXCEPT IN CONNECTION WITH OUR WORK, DESIGN AND INVENTION RIGHTS ARE RESERVED.

U.S. Patent Number:  
6,217,757

PH: (888) 526-4736

DIMENSIONS ARE IN INCHES UNLESS OTHERWISE NOTED.

# REM Inc.

## TRITON TOP HAT SERIES (Top-Hat Cartridge System)

SCA I/F	DRAWN BY: C.F.	FOR: Drop Inlet Combinations	REV
1/4 : 1	DATE: 3/3/2013	SHE ET	1 OF 1