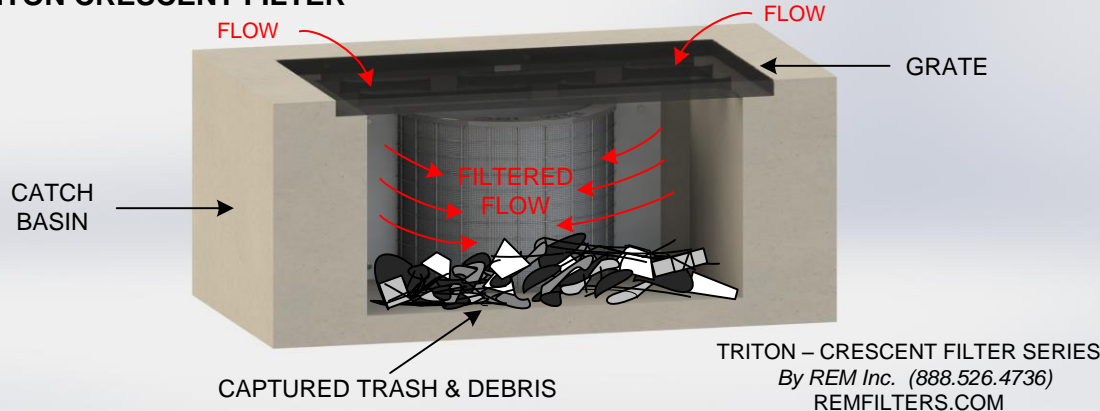


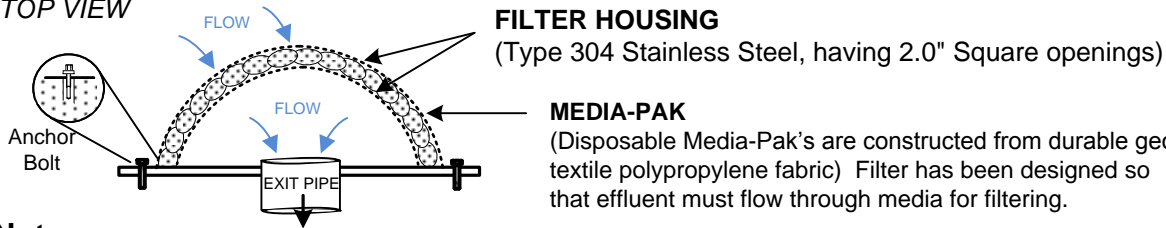
REM's TRITON – TR (Crescent) Series

REM designed the TRITON -TR (Crescent) Filter Series to provide a highly adaptable solution that allows the flexibility to maximize the filter treatment flow rates and pollutant capturing capacity. Crescent filters may be utilized in new construction or retrofitted in existing catch basin structures. They are sized to spec or modified in the field for drains with unusual dimensions and unique frame and grates. Media strategy may be optimized for specific pollutant concerns.

TRITON CRESCENT FILTER



TOP VIEW

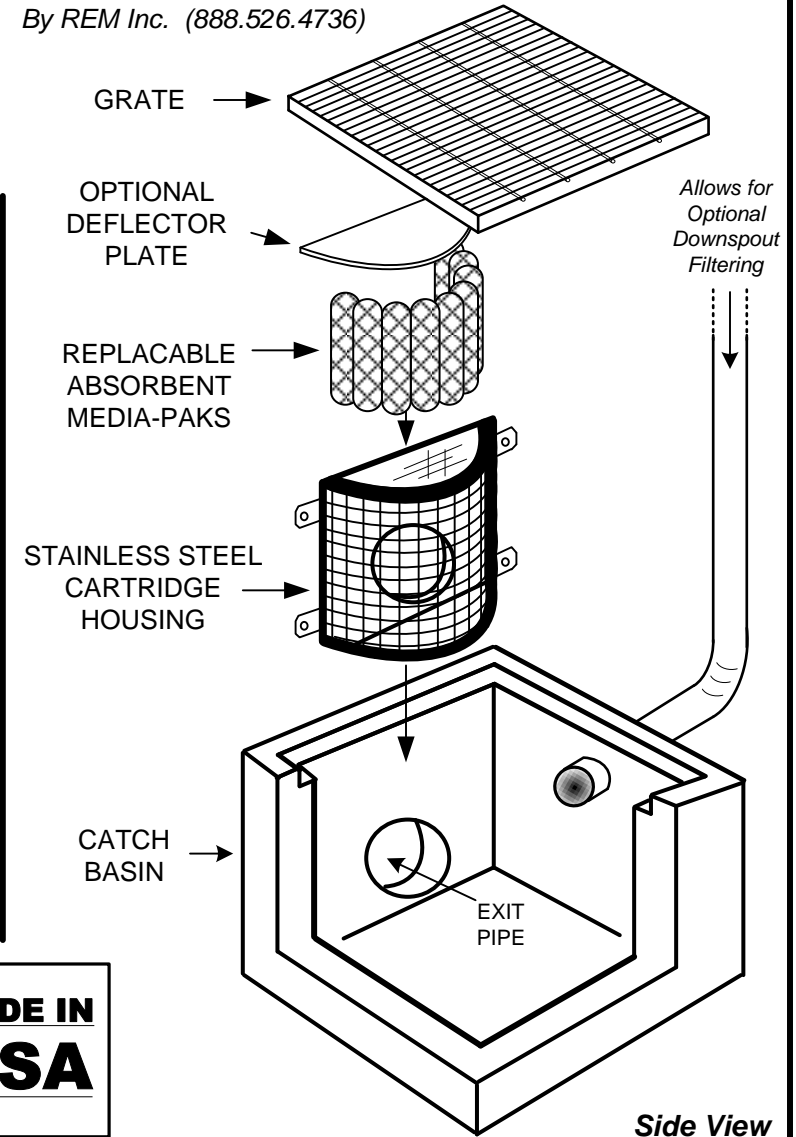


Notes:

- The TRITON - Crescent Series Filters are available in sizes to fit most industry standard pipes and catch basins. Custom sizes are also available to fit most applications.
- Filter cartridge housings are constructed utilizing Type 304 Stainless Steel, with 2" welded square openings.
- Removable cartridge tops are constructed utilizing over 80% recycled ABS Plastic.
- REM TRITON replacement Filter Media Packs are charged with REM FOG media an expanded volcanic ash medium treated to be highly hydrophobic housed in a durable geo-textile perforated polypropylene woven fabric. REM FOG media effectively encapsulates liquefied petroleum hydrocarbons (Fats, Oils & Grease including animal fats). The media's hydrophobic characteristic allows for greater polishing of flow resulting in the reduction of Total Suspended Solids (TSS). Suspended solid reduction includes but is not limited to debris, trash, silt sediment and agglomerated heavy metals. (Additional media options are available including mixed blends of granulated carbon [AC] and Zeolite [ZEO].)
- Filter designs include a high flow overflow bypass to eliminate pooling or flooding during heavy rain events.
- Optional Diversion Plate routes flow onto the filtering side of filter. Certain application may not need this option.
- REM TRITON filter cartridges are removable for ease of cleaning and maintenance.
- See our Specifier Sheet for sizes, models and flow rate information.
- Maintenance information and replacement REM Media Packs are available upon request by contacting REM at sales@remfilters.com or (888) 526-4736.
- Made in the USA.

TRITON – Crescent SERIES FILTER

By REM Inc. (888.526.4736)



MADE IN USA

THE DESIGN AND DETAIL OF THIS DRAWING IS THE PROPERTY OF REM INC. AND IS NOT TO BE USED EXCEPT IN CONNECTION WITH OUR WORK. DESIGN AND INVENTION RIGHTS ARE RESERVED.

U.S. Patent Pending

PH: (888) 526-4736

DIMENSIONS ARE IN INCHES UNLESS OTHERWISE NOTED.

REM Inc.

TRITON CRESCENT FILTER
(TRITON – TR - .5 Series)

SC	DRAWN BY:	FOR:	REV
ALF	C.F.	Multiple Configurations	
1/4 : 1	DATE: 3/3/2013	SH	1 OF 1
		EE	

Side View