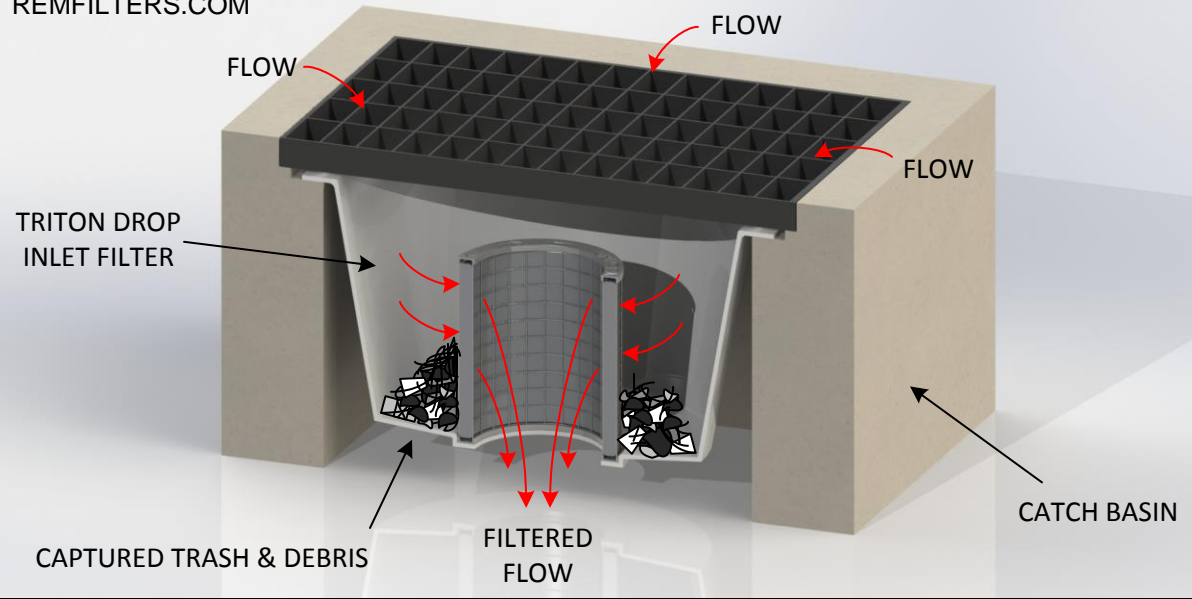


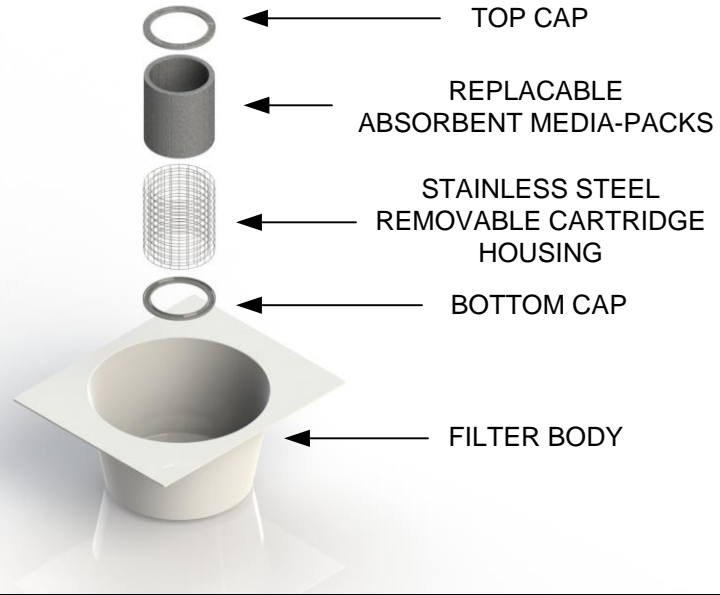
TRITON – TR DROP INLET FILTER SERIES

By REM Inc. (888.526.4736)

REMFILTERS.COM

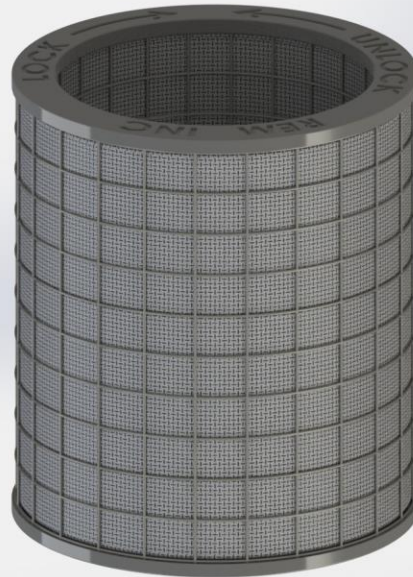


TRITON – TR DROP INLET FILTER SERIES
By REM Inc. (888.526.4736)
REMFILTERS.COM

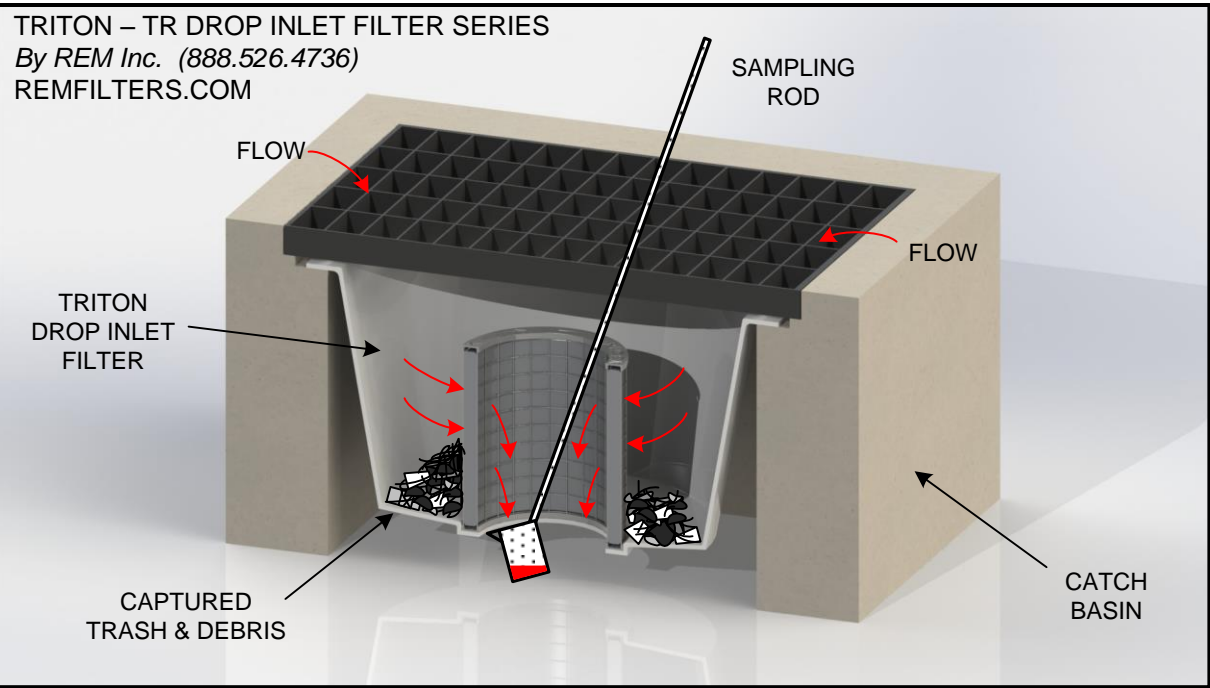


**MADE IN
USA**

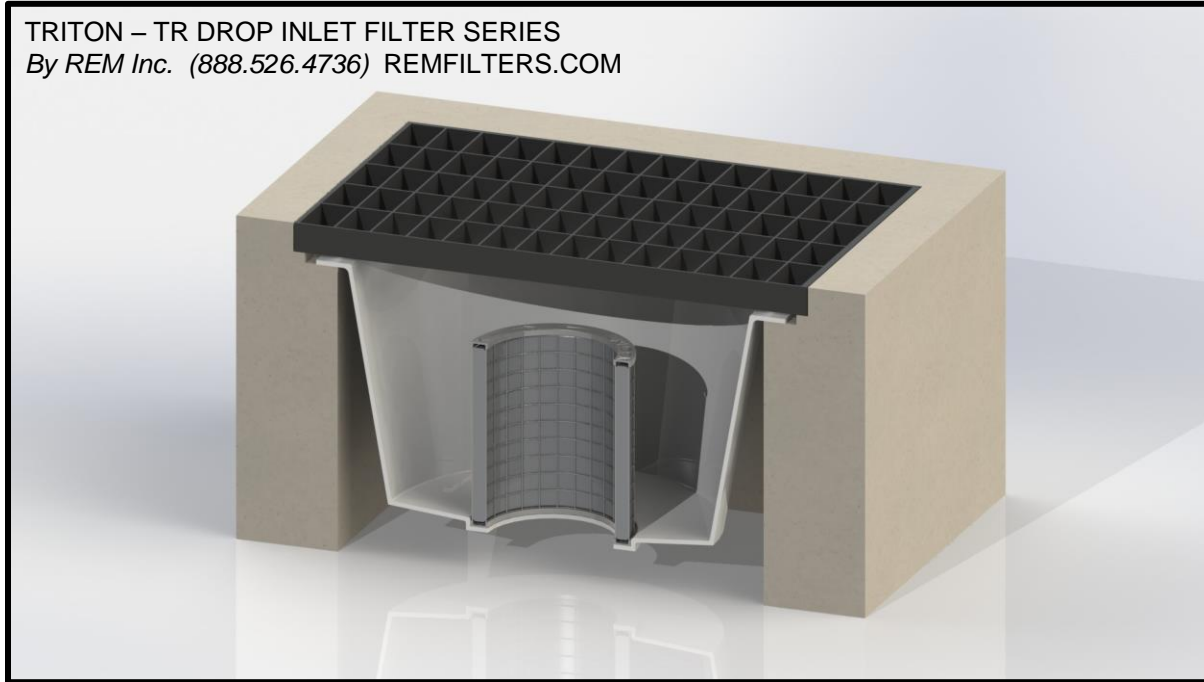
TRITON – TR DROP INLET CARTRIDGE
By REM Inc. (888.526.4736)
REMFILTERS.COM

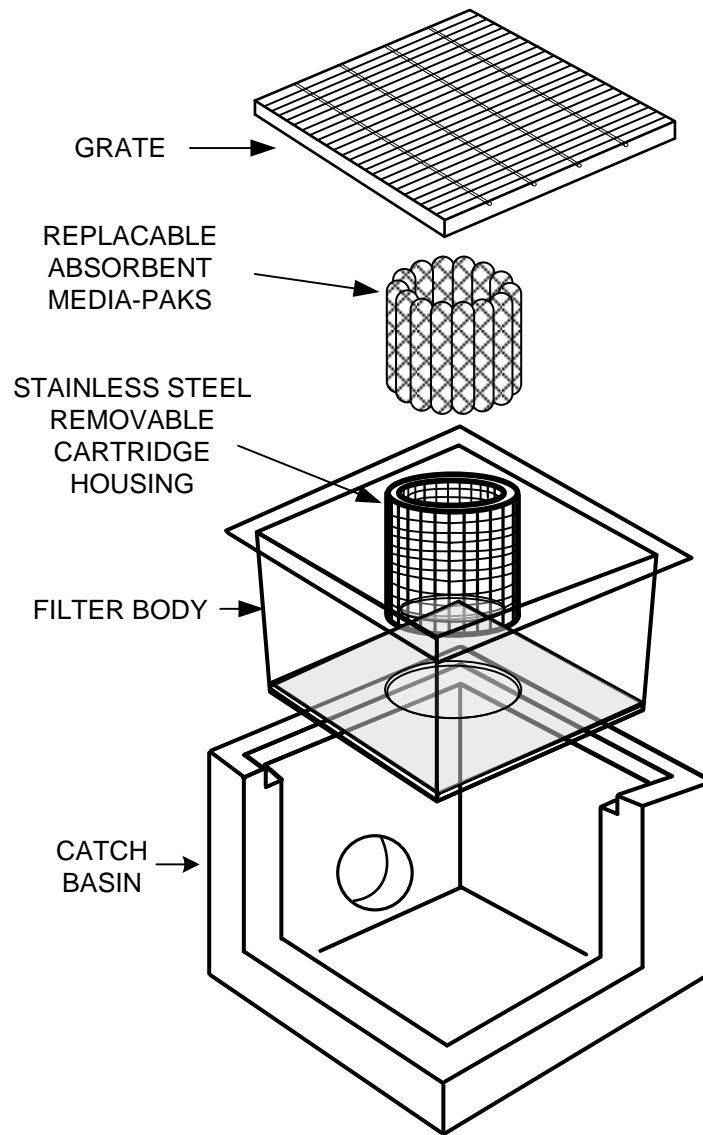


TRITON – TR DROP INLET FILTER SERIES
By REM Inc. (888.526.4736)
REMFILTERS.COM



TRITON – TR DROP INLET FILTER SERIES
By REM Inc. (888.526.4736) REMFILTERS.COM

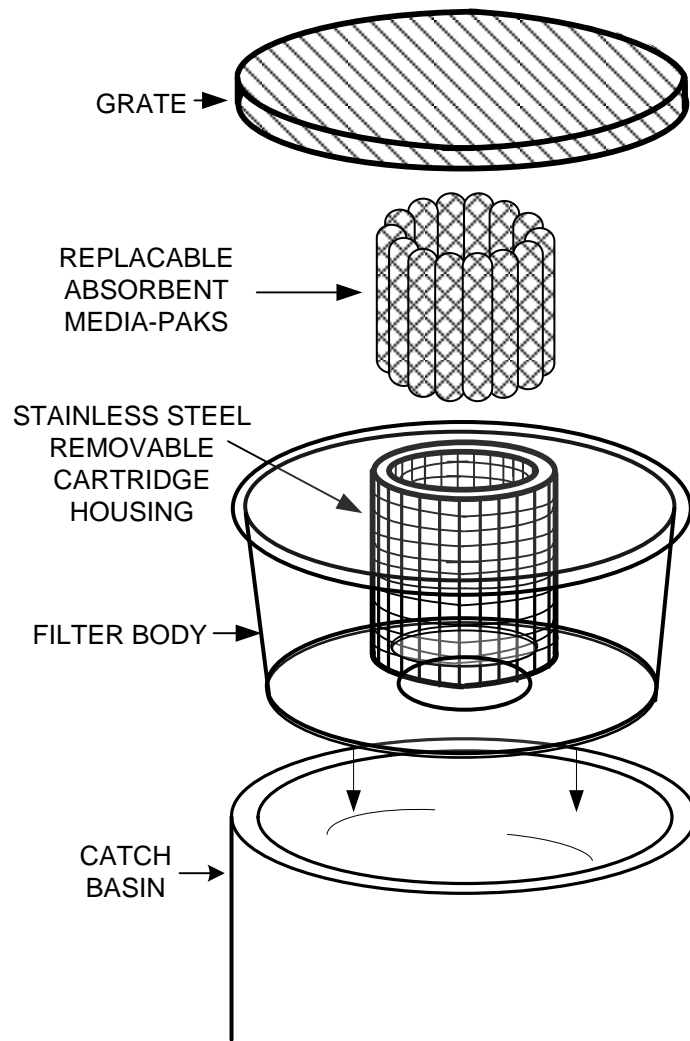




TRITON - TR Drop Inlet SERIES FILTER

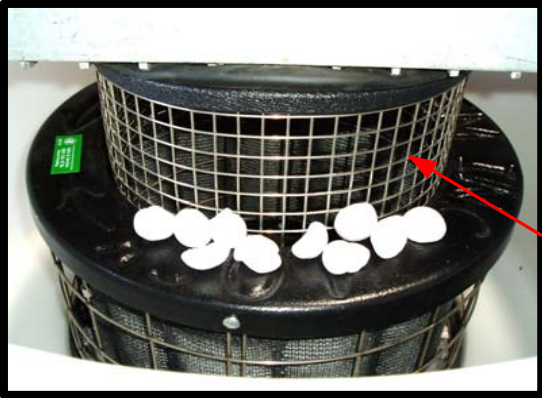
By REM Inc. (888.526.4736)

www.remfilters.com



TRITON – TR Drop Inlet SERIES FILTERS
By REM Inc. (888.526.4736)
www.remfilters.com

TRITON -Trash & Debris Guard (TDG-SERIES)



Standard Trash Guard
w/ .5" Sq. Stainless Steel mesh



Trash & Debris Guard
Large
(2" X 2" Mesh)



Trash & Debris Guard
Standard
(.5" X .5" Mesh)



Trash & Debris Guard
Fine
(20 US Sieve Mesh)
(Geo-textile)

TRITON Drop Inlet Trash & Debris Guard™

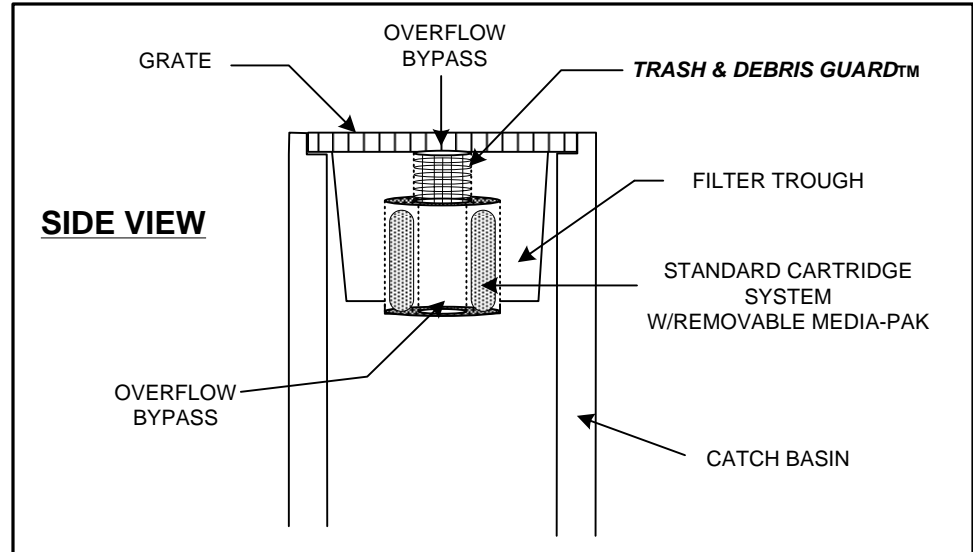
Designed to help capture trash & debris. The Trash & Debris Guard™ is designed to assist in the removal of trash & debris in compliance with certain TMDL requirements.

The standard stainless steel Trash & Debris Guard™ mesh size is .5" X .5" (.25 cu. in) or .1968 cm X .1968 cm, (.0387 sq. cm) Optional stainless steel or geo-textile mesh sizes can be supplied depending upon each area's particular needs.

Common trash & debris pollutants captured: Packing material "peanut packing", coffee cups and lids, bottle caps, Styrofoam, paper and plastic bags, candy/food wrappers, aluminum cans and leaves.

As an added feature, the Trash & Debris Guards™ are equipped with REM's Media-Pak, for the removal of Hydrocarbons and other contaminants.

For more information on this series, please call our office @ (888) 526-4736.



<p>THE DESIGN AND DETAIL OF THIS DRAWING IS THE PROPERTY OF REM INC. AND IS NOT TO BE USED EXCEPT IN CONNECTION WITH OUR WORK, DESIGN AND INVENTION RIGHTS ARE RESERVED.</p> <p>Patent Pending</p>		<h1>REM Inc.</h1>	
<p>PH: (888) 526-4736</p>		<h2>TRITON Trash & Debris Guard™ TDG-Series</h2> <p>(Designed for TRITON Series Drop Inlets)</p>	
<p>SIZE</p>	<p>DRAWN BY:</p> <p>C.F.</p>	<p>FOR:</p> <p>Trash & Debris Protection</p>	<p>REV</p>
<p>DIMENSIONS ARE IN INCHES UNLESS OTHERWISE NOTED.</p>		<p>SCALE</p> <p>1/4" = 1'</p>	<p>DATE: 5/15/2005</p>
		<p>SHEET</p> <p>1 OF 1</p>	

TRITON -Trash & Debris Guard (TDG-SERIES)



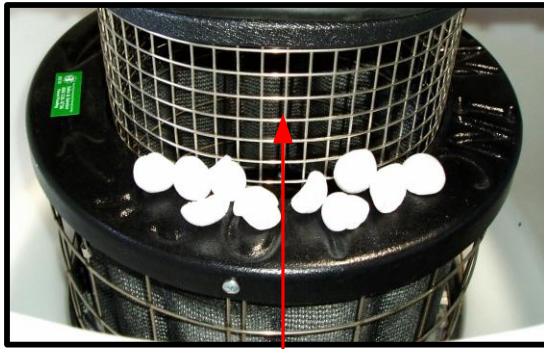
Trash & Debris Guard with (.5" X .5" Stainless Steel side mesh and mesh top)



Mesh Top Covering Overflow Port



Model: 14TDG (6") – Mesh Top



Standard Trash Guard w/ .5" Sq. Stainless Steel mesh

(Attached to a Model: TR14 (16")–FOG-BFTG Cartridge)

Note:

TRITON Drop Inlet Trash & Debris Guard™

Designed to help capture trash & debris. The Trash & Debris Guard™ is designed to assist in the removal of trash & debris in compliance with certain TMDL requirements.

The standard stainless steel Trash & Debris Guard™ mesh size is .5" X .5" (.25 cu. in) or .1968 cm X .1968 cm, (.0387 sq. cm)

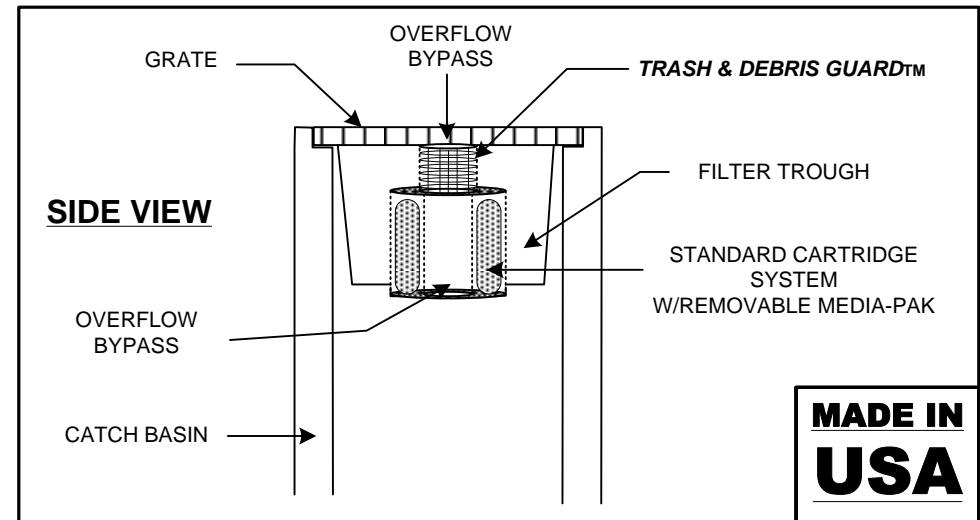
Optional stainless steel or geo-textile mesh sizes can be supplied depending upon each area's particular needs.

Common trash & debris pollutants captured: Packing material "peanut packing", coffee cups and lids, bottle caps, Styrofoam, paper and plastic bags, candy/food wrappers, aluminum cans and leaves.

As an added feature, the Trash & Debris Guards™ are equipped with REM's Media-Pak, for the removal of Hydrocarbons and other contaminants.

Note: Mesh Top option placed over Overflow Port could potentially cause flooding if blinded by debris.

For more information on this series, please call our office @ (888) 526-4736.



MADE IN USA

<p>THE DESIGN AND DETAIL OF THIS DRAWING IS THE PROPERTY OF REM INC. AND IS NOT TO BE USED EXCEPT IN CONNECTION WITH OUR WORK. DESIGN AND INVENTION RIGHTS ARE RESERVED.</p> <p>Patent Pending</p>		<h1>REM Inc.</h1>	
<p>PH: (888) 526-4736</p>		<h2>TRITON Trash & Debris Guard™ TDG-Series with Mesh Top</h2>	
SIZE	DRAWN BY:	FOR:	REV
	C.F.	TRITON Series Drop Inlets	
DIMENSIONS ARE IN INCHES UNLESS OTHERWISE NOTED.		DATE: 12/8/2011	SHEET 1 OF 1
SCALE	1/4 : 1		