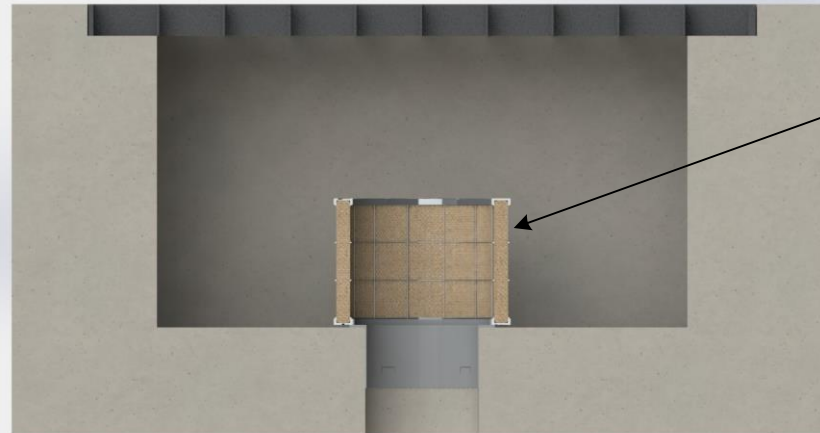
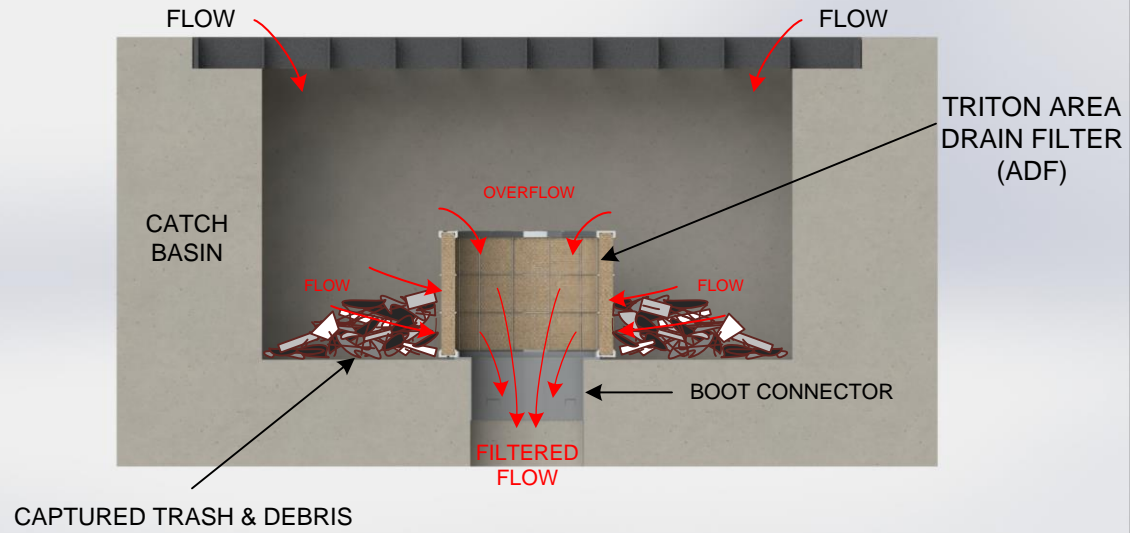


TRITON – ADF (AREA DRAIN) FILTER SERIES
By REM Inc. (888.526.4736)
REMFILTERS.COM



TRITON AREA
DRAIN FILTER
(ADF)

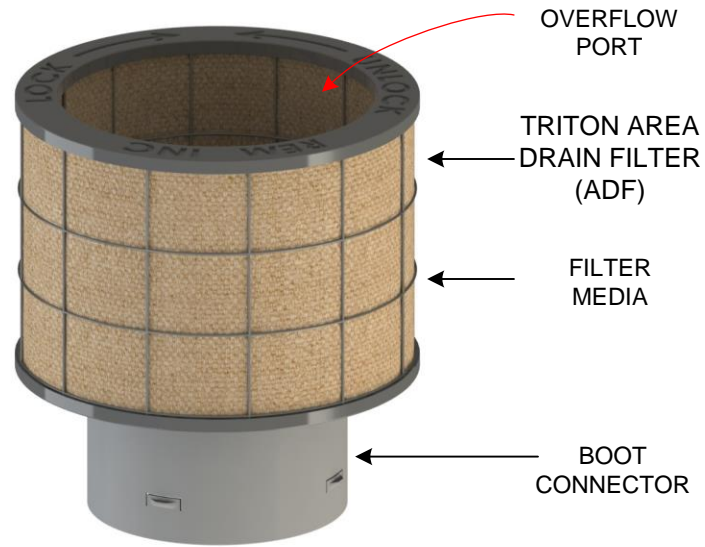
TRITON – ADF (AREA DRAIN) FILTER SERIES
By REM Inc. (888.526.4736) REMFILTERS.COM



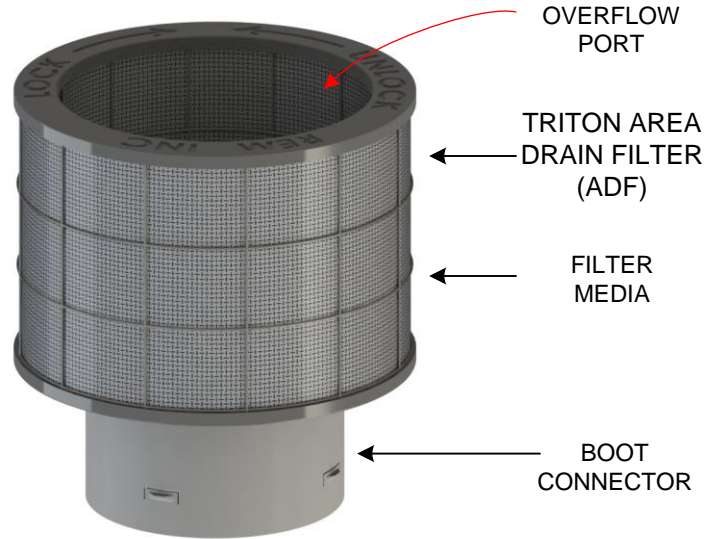
TRITON – ADF (AREA DRAIN) FILTER SERIES
By REM Inc. (888.526.4736)
REMFILTERS.COM

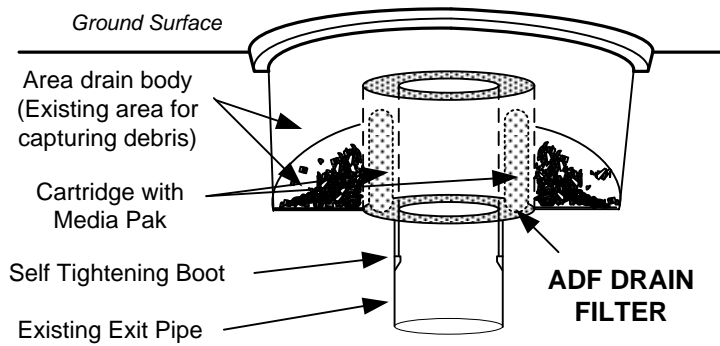


TRITON – ADF (AREA DRAIN) FILTER SERIES
By REM Inc. (888.526.4736)
REMFILTERS.COM

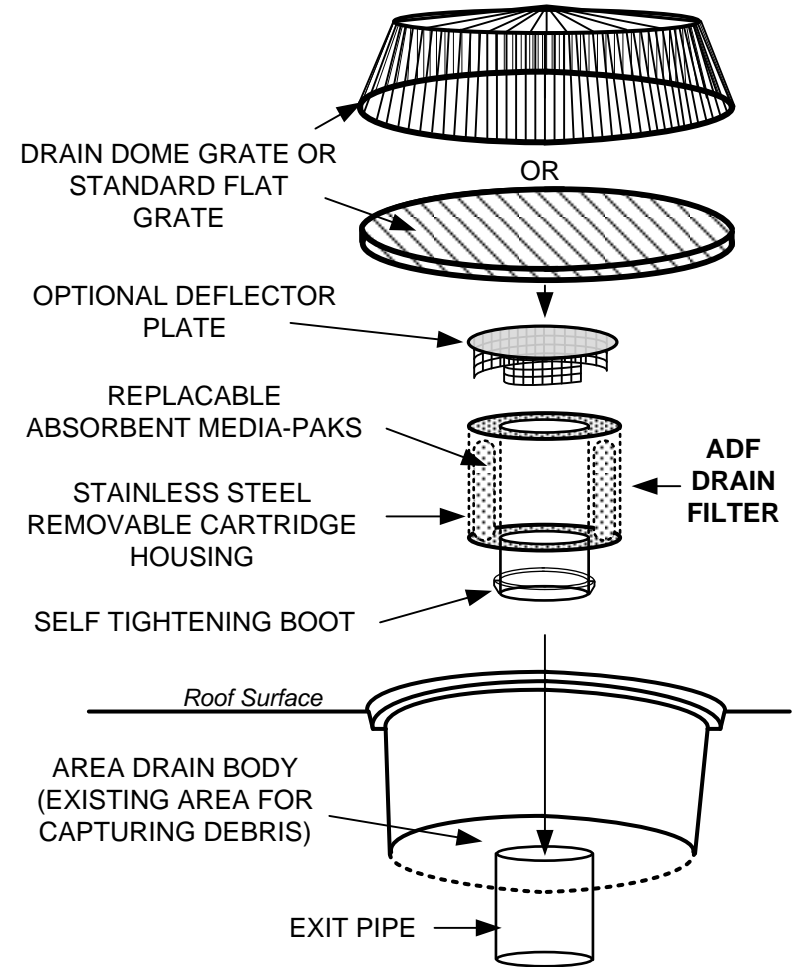


TRITON – ADF (AREA DRAIN) FILTER SERIES
By REM Inc. (888.526.4736)
REMFILTERS.COM

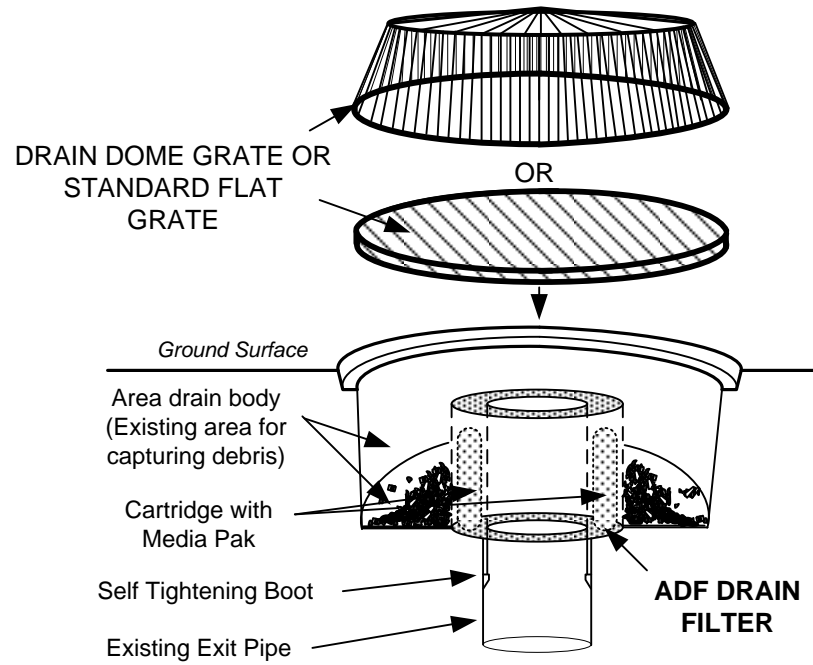




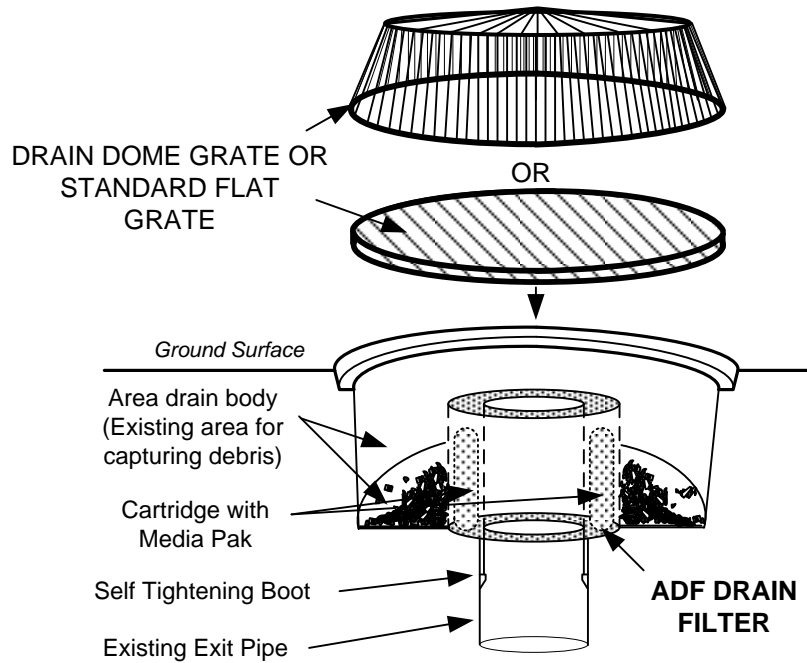
TRITON – AREA DRAIN FILTER SERIES
 By REM Inc. (888.526.4736)
www.remfilters.com



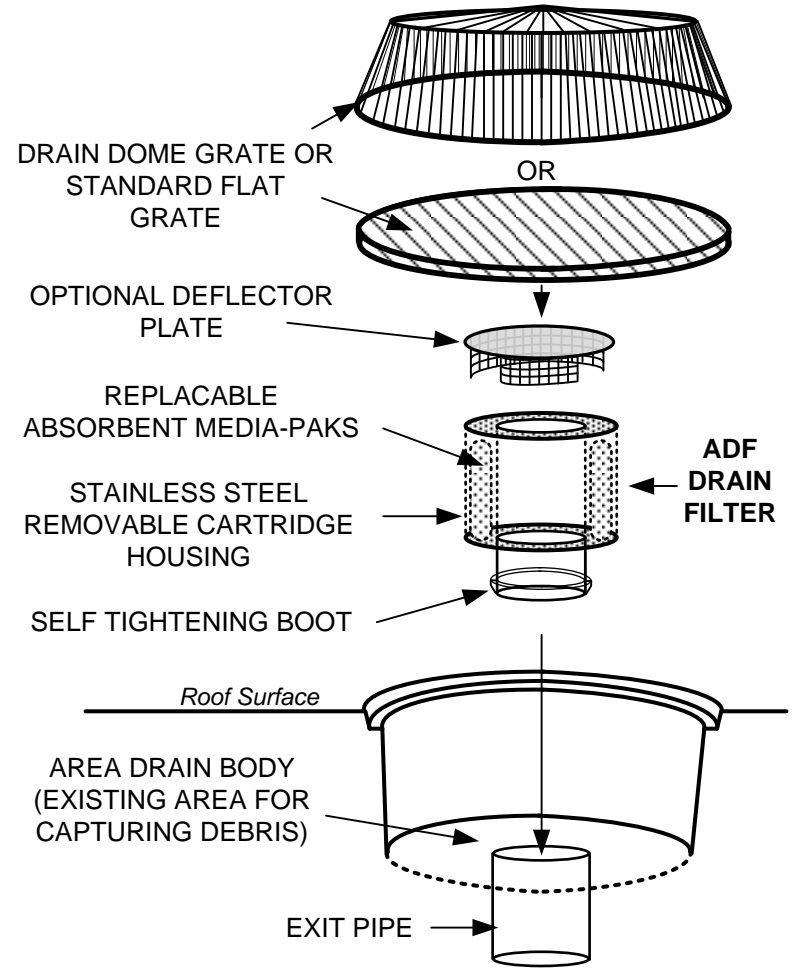
TRITON – AREA DRAIN FILTER SERIES
 By REM Inc. (888.526.4736)
www.remfilters.com



TRITON – AREA DRAIN FILTER SERIES
By REM Inc. (888.526.4736)
www.remfilters.com

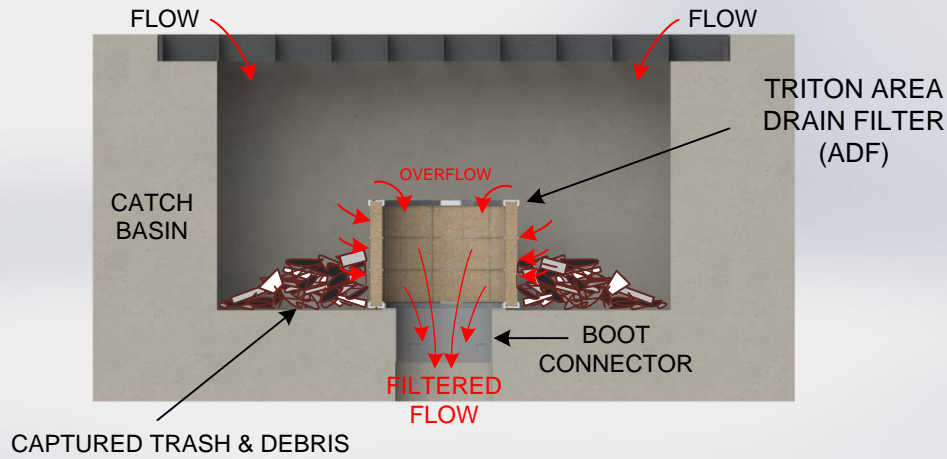


TRITON – AREA DRAIN FILTER SERIES
 By REM Inc. (888.526.4736)
www.remfilters.com

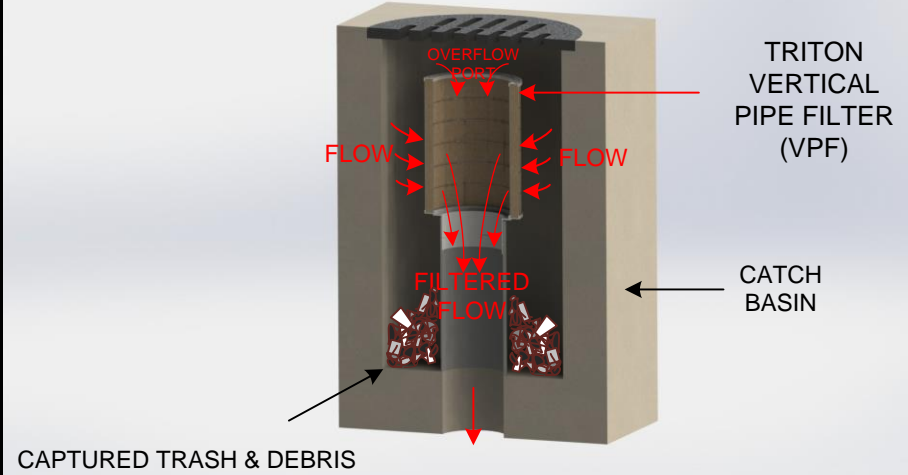


TRITON – AREA DRAIN FILTER SERIES
 By REM Inc. (888.526.4736)
www.remfilters.com

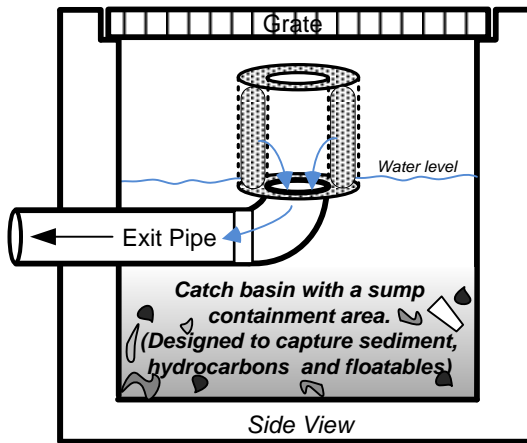
TRITON – ADF (AREA DRAIN) FILTER SERIES
By REM Inc. (888.526.4736) REMFILTERS.COM



TRITON – VPF (VERTICAL PIPE) FILTER SERIES
By REM Inc. (888.526.4736) REMFILTERS.COM

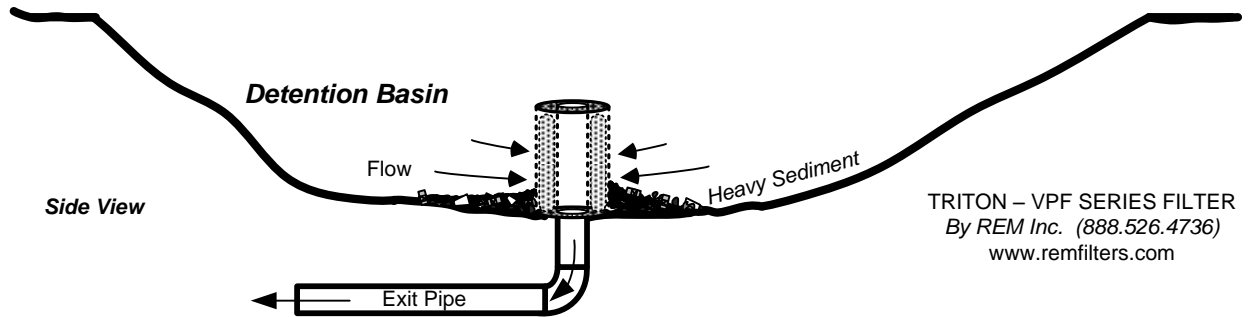


DIFFERENT TYPES OF APPLICATIONS

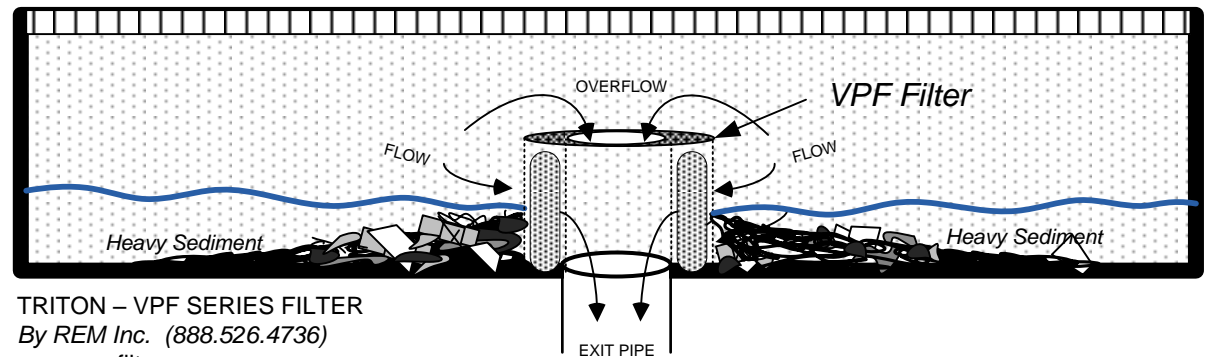


TRITON – VPF SERIES FILTER
By REM Inc. (888.526.4736)
www.remfilters.com

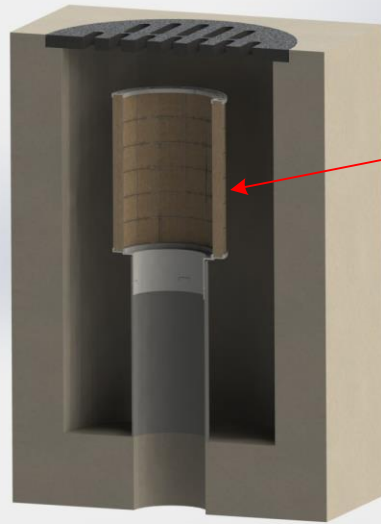
Typical Detention/settling Basin Installation Shown



VPF (Vertical Pipe Filter) shown in a trench drain with a vertical exit pipe.



TRITON – VPF (VERTICAL PIPE) FILTER SERIES
By REM Inc. (888.526.4736)
REMFILTERS.COM



TRITON
VERTICAL PIPE
FILTER (VPF)

TRITON – VPF (VERTICAL PIPE) FILTER SERIES
By REM Inc. (888.526.4736)
REMFILTERS.COM

