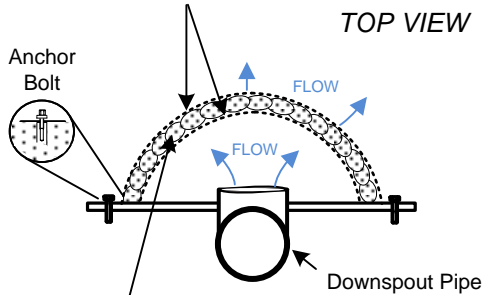


REM's TRITON 180 (Downspout) Series Filters

REM designed the TRITON -180 (Downspout) Filter Series to provide a highly adaptable solution that allows the flexibility of installing a filtering system for downspouts, close to a buildings outside walls. The TRITON 180 filters may be utilized in new construction or retrofitted in existing downspout structures. They are sized to spec or modified in the field for downspouts with unusual dimensions. Media strategy may be optimized for specific pollutant concerns.

FILTER HOUSING

(Type 304 Stainless Steel, having 2.0" Square openings)

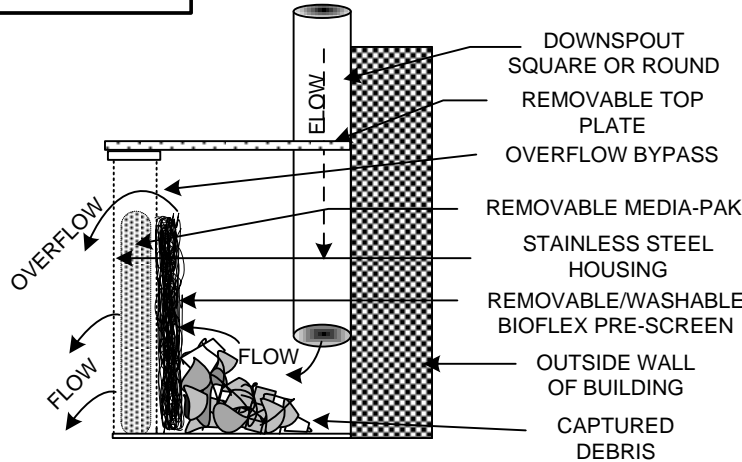


MEDIA-PAK

(Disposable Media-Pak's are constructed from durable geo-textile polypropylene fabric) Filter has been designed so that effluent must flow through media for filtering.

MADE IN USA

SIDE VIEW

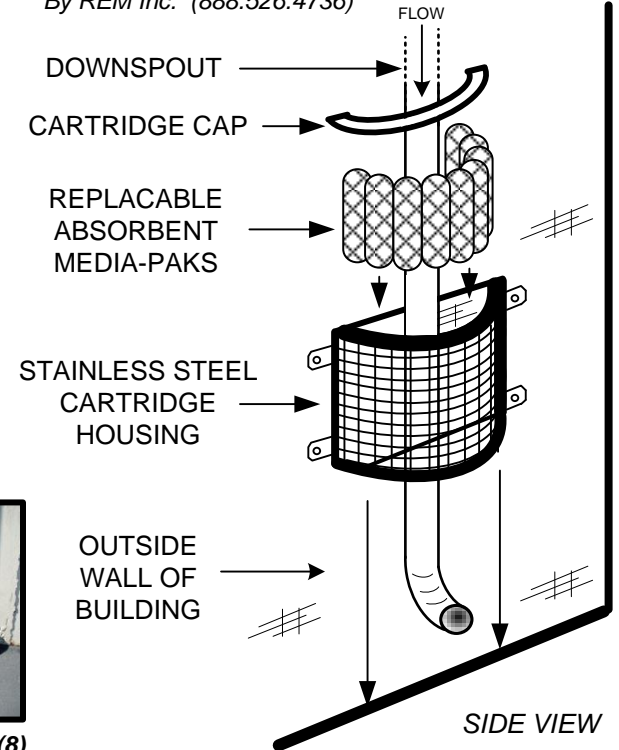


Shown with optional copper skin



MODEL: TR24-180 (8)

TRITON - 180 (Downspout) SERIES FILTER
By REM Inc. (888.526.4736)



Notes:

- The TRITON - 180 Series Filters are available in sizes to fit most industry standard downspout sized pipes both square and round. Custom sizes are also available to fit most applications.
- Filter cartridge housings are constructed utilizing Type 304 Stainless Steel, with 2" welded square openings.
- Removable cartridge tops are constructed utilizing over **80% recycled** ABS Plastic.
- Filters can be made in different heights depending upon the application. Taller filters will capture larger amounts of debris and higher flow rates.
- REM TRITON replacement Filter Media Packs are charged with REM FOG media an expanded volcanic ash medium treated to be highly hydrophobic housed in a durable geo-textile perforated polypropylene woven fabric. REM FOG media effectively encapsulates liquefied petroleum hydrocarbons (Fats, Oils & Grease including animal fats). The media's hydrophobic characteristic allows for greater polishing of flow resulting in the reduction of Total Suspended Solids (TSS). Suspended solid reduction includes but is not limited to debris, trash, silt sediment and agglomerated heavy metals. (Additional media options are available including mixed blends of granulated carbon [AC] and Zeolite [ZEO].
- Filter designs include a high flow overflow bypass to eliminate pooling or flooding during heavy rain events.
- Replacement Media-Pak's are easily removed for servicing.
- For larger flows and debris capacities, please see our TRITON 360 Series.
- See our Specifier Sheet for sizes, models and flow rates.
- Maintenance information and replacement media packs are available upon request by contacting REM at sales@remfilters.com or (888) 526-4736.
- Made in the USA.



MODEL: TR14-180 (8)

THE DESIGN AND DETAIL OF THIS DRAWING IS THE PROPERTY OF REM INC. AND IS NOT TO BE USED EXCEPT IN CONNECTION WITH OUR WORK, DESIGN AND INVENTION RIGHTS ARE RESERVED.

Patent Pending

PH: (888) 526-4736

DIMENSIONS ARE IN INCHES UNLESS OTHERWISE NOTED.

REM Inc.

TRITON 180 DOWNSPOUT FILTRATION SERIES

(Multiple Applications)

| | | | |
|-----|-----------|---------------------|----------------|
| SIZ | DRAWN BY: | FOR: | REV |
| - | C.F. | Downspout Filtering | |
| SC | 1/4 : 1 | DATE: 11/2/2014 | SH E 1 OF 1 |

REM's TRITON 360 (Downspout) Series Filters

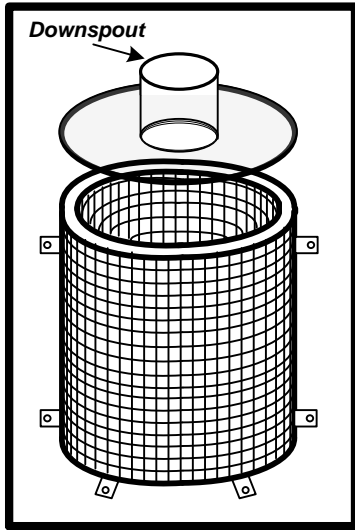
REM designed the TRITON -360 (Downspout) Filter Series to provide a highly adaptable solution that allows the flexibility of installing a filtering system for downspouts, close to a buildings outside walls. The TRITON 360 filters may be utilized in new construction or retrofitted in existing downspout structures. They are sized to spec or modified in the field for downspouts with unusual dimensions. Media strategy may be optimized for specific pollutant concerns.



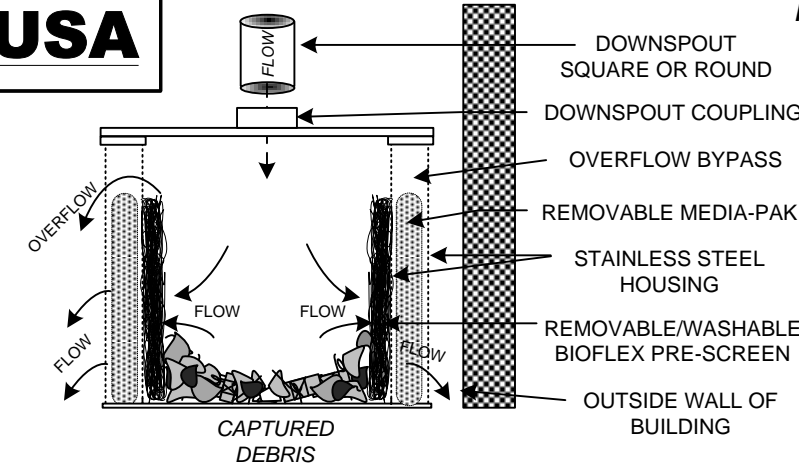
MODEL: TR14-360 (17)



MODEL: TR24-360 (17)

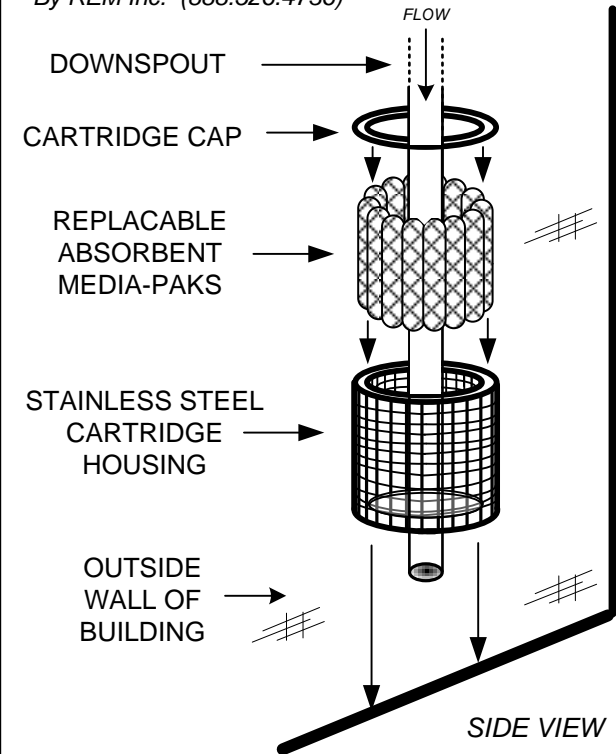


MADE IN USA



SIDE VIEW

TRITON - 360 (Downspout) SERIES FILTER
By REM Inc. (888.526.4736)



SIDE VIEW

Notes:

- The TRITON - 360 Series Filters are available in sizes to fit most industry standard downspout sized pipes both square and round. Custom sizes are also available to fit most applications.
- Filter cartridge housings are constructed utilizing Type 304 Stainless Steel, with 2" welded square openings.
- Removable cartridge tops are constructed utilizing over **80% recycled** ABS Plastic.
- Filters can be made in different heights depending upon the application. Taller filters will capture larger amounts of debris and higher flow rates.
- REM TRITON replacement Filter Media Packs are charged with REM FOG media an expanded volcanic ash medium treated to be highly hydrophobic housed in a durable geo-textile perforated polypropylene woven fabric. REM FOG media effectively encapsulates liquefied petroleum hydrocarbons (Fats, Oils & Grease including animal fats). The media's hydrophobic characteristic allows for greater polishing of flow resulting in the reduction of Total Suspended Solids (TSS). Suspended solid reduction includes but is not limited to debris, trash, silt sediment and agglomerated heavy metals. (Additional media options are available including mixed blends of granulated carbon [AC] and Zeolite [ZEO].)
- Filter designs include a high flow overflow bypass to eliminate pooling or flooding during heavy rain events.
- Replacement Media-Pak's are easily removed for servicing.
- See our Specifier Sheet for sizes, models and flow rates.
- Maintenance information and replacement media packs are available upon request by contacting REM at sales@remfilters.com or (888) 526-4736.
- Made in the USA.



MODEL: TR14-360 (16)

THE DESIGN AND DETAIL OF THIS DRAWING IS THE PROPERTY OF REM INC. AND IS NOT TO BE USED EXCEPT IN CONNECTION WITH OUR WORK, DESIGN AND INVENTION RIGHTS ARE RESERVED.

Patent Pending

PH: (888) 526-4736

DIMENSIONS ARE IN INCHES UNLESS OTHERWISE NOTED.

REM Inc.

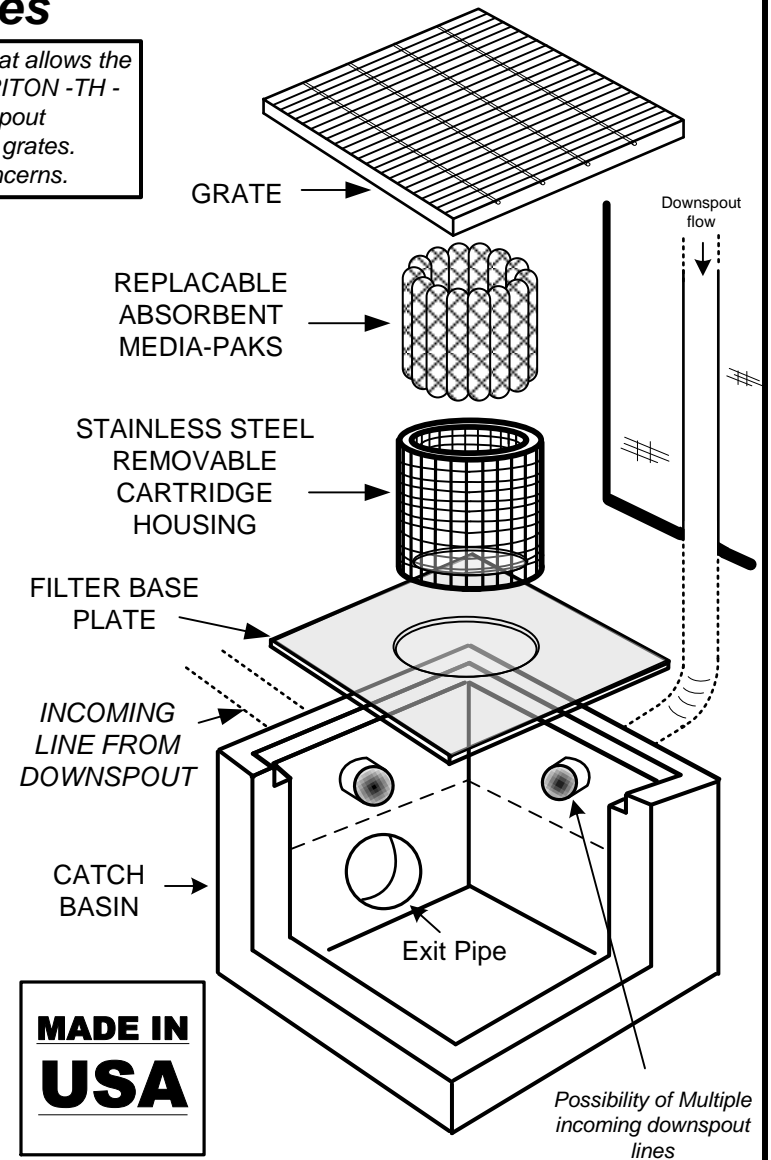
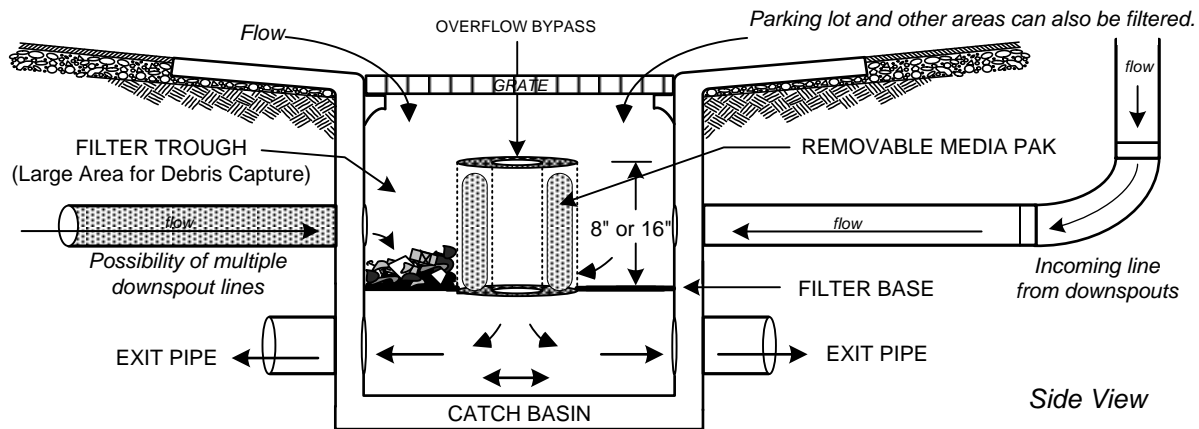
TRITON 360 DOWNSPOUT FILTRATION SERIES

(Multiple Applications)

| | | | |
|---------|-----------------|---------------------|--------|
| SIZE | DRAWN BY: | FOR: | REV |
| SCA | C.F. | Downspout Filtering | 1 OF 1 |
| 1/4 : 1 | DATE: 11/2/2014 | SHE | |

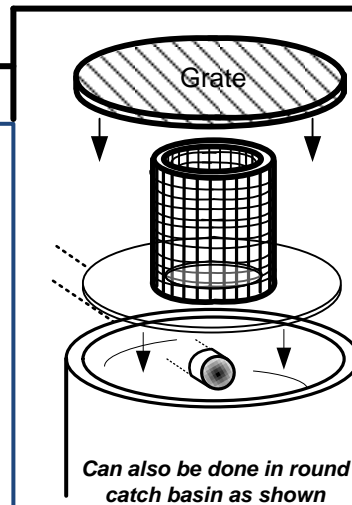
REM's TRITON – TH - DS (Top Hat – Downspout) Series

REM designed the TRITON -TH - DS (Top Hat – Downspout) Filter Series to provide a highly adaptable solution that allows the flexibility to maximize the filter treatment flow rates and pollutant capturing capacity from incoming downspouts. TRITON -TH - DS filters may be utilized in new construction or retrofitted in existing catch basin structures that are used in downspout drainage. They are sized to spec or modified in the field for drains with unusual dimensions and unique frame and grates. Filter Cartridges may be easily removed when servicing. Media strategy may be optimized for specific pollutant concerns.



Notes:

- The TRITON - TH – DS Series Filters may be customized in the field to fit catch basins with irregular dimensions or unusual frame and grate types. REM also designs custom filters for unique storm water infrastructures and applications.
- Base plates are constructed using **100% recycled** High Molecular Weight Polyethylene Plastic (HMWPE) with added U.V. inhibitors.
- Filter cartridge housings are constructed utilizing Type 304 Stainless Steel, with 2" welded square openings.
- Removable cartridge tops are constructed utilizing over 80% recycled ABS Plastic.
- REM TRITON replacement Filter Media Packs are charged with REM FOG media an expanded volcanic ash medium treated to be highly hydrophobic housed in a durable geo-textile perforated polypropylene woven fabric. REM FOG media effectively encapsulates liquefied petroleum hydrocarbons (Fats, Oils & Grease including animal fats). The media's hydrophobic characteristic allows for greater polishing of flow resulting in the reduction of Total Suspended Solids (TSS). Suspended solid reduction includes but is not limited to debris, trash, silt sediment and agglomerated heavy metals. (Additional media options are available including mixed blends of granulated carbon [AC] and Zeolite [ZEO].)
- REM TRITON filter cartridges are removable for ease of cleaning and maintenance.
- Filter designs include a high flow overflow bypass to eliminate pooling or flooding during heavy rain events.
- See our Specifier Sheet for sizes, models and flow rate information.
- Maintenance information and replacement REM Media Packs are available upon request by contacting REM at sales@remfilters.com or (888) 526-4736.
- Made in the USA.



Cartridge Diameter size may vary by catch basin. Taller cartridge options provide greater volume capacity and increased treatment rates.

MADE IN USA

THE DESIGN AND DETAIL OF THIS DRAWING IS THE PROPERTY OF REM INC. AND IS NOT TO BE USED EXCEPT IN CONNECTION WITH OUR WORK, DESIGN AND INVENTION RIGHTS ARE RESERVED.

U.S. Patent Number:
6,217,757

PH: (888) 526-4736

DIMENSIONS ARE IN INCHES UNLESS OTHERWISE NOTED.

REM Inc.

TRITON TOP HAT - DOWNSPOUT SERIES
(Top-Hat Cartridge System)

| | | | |
|-----------|-------------------|--------------------------------|-----|
| SCA IF | DRAWN BY: C.F. | FOR: Downspout Combinations | REV |
| 1/4 : 1 | DATE: 2/3/2014 | 1 OF 1 | |