

**Sizing Guide for Area and Roof Drain Inlets**

**REM Inc.**

**AREA & ROOF DRAIN SIZING GUIDE**

(Designed to help determine what size filters are required for each catch basin on site)

For Curb, Drop Inlets or other questions please call (888) 526-4736.

Once you have sized your drains you may either fax or email back your measurements to:

**Fax: (925) 676-8676**  
**Or**  
**Email: sales@remfilters.com**

Customer: \_\_\_\_\_ Contact: \_\_\_\_\_

Ph: (\_\_\_\_) \_\_\_\_\_ Fax: (\_\_\_\_) \_\_\_\_\_

Project/Tract#: \_\_\_\_\_

Location: \_\_\_\_\_ Page \_\_\_\_\_ of \_\_\_\_\_

Drain #	Quantity	Catch Basin I.D.				Grate Dimensions		
		A	B	C	D	E	F	G

- NOTES:**
1. Please fill in all dimensions that apply within 1/8".
  2. Please mark the location of any obstructions such as pipes, locking plates, etc.
  3. Dimensions A & C are the clear openings or (inside throat) of the catch basin and exiting pipe.
  4. Dimension B is measured from the bottom of the drain body to the bottom the first elbow or lateral line.
  5. Dimension D is the depth of the drain body.

**COMMENTS:**

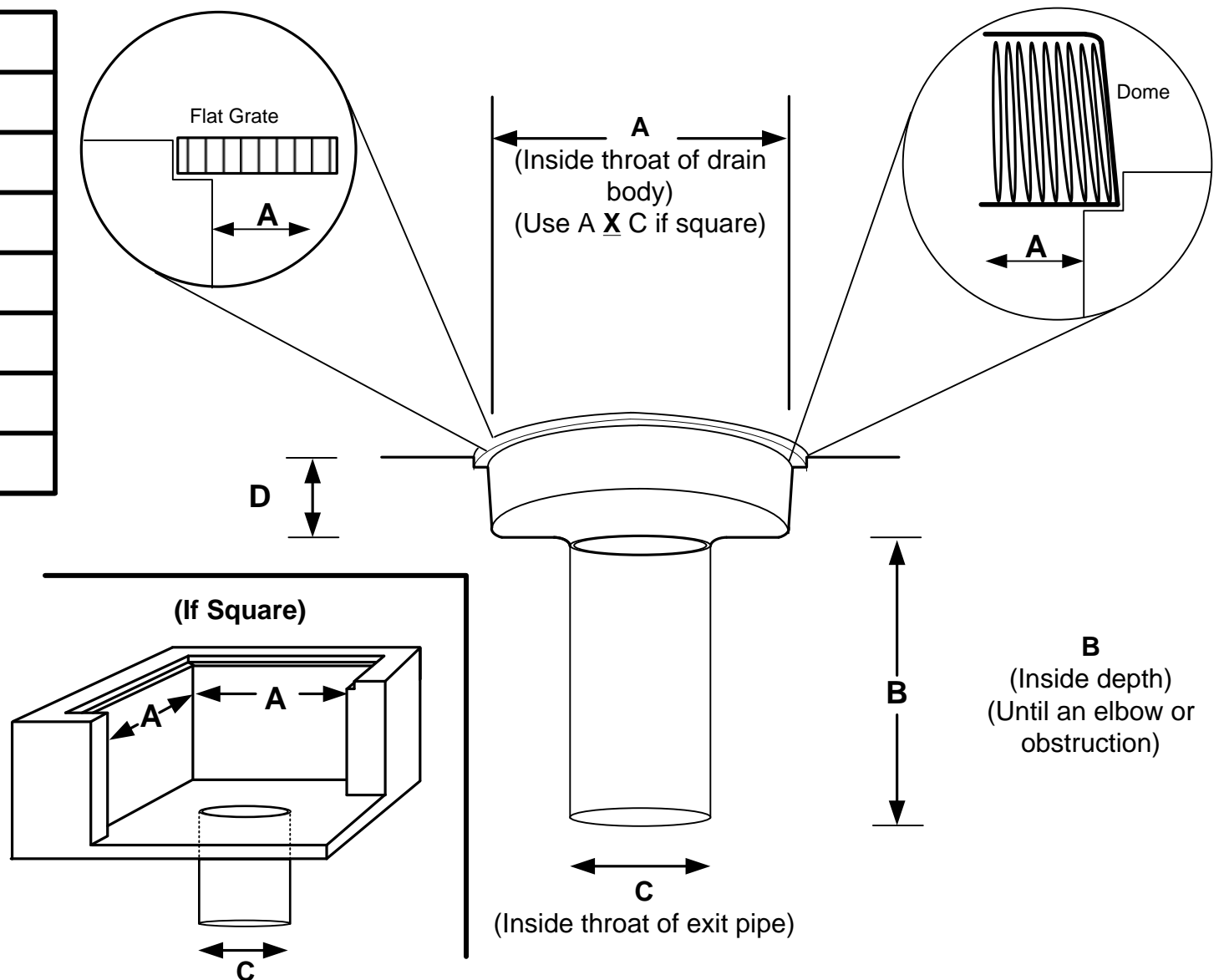
---



---



---



Please mark which grate your drain has:

**Flat Grate**

**A Flat Bottom (A)** →

**B "Keyhole" / Coped Bottom (B)** →

**Domed Grate**

*Height and Width of Drain Dome*

**Sizing Guide for Area & Roof Drains**

**REM Inc.**

**AREA & ROOF DRAIN SIZING GUIDE**

(Designed to help determine what size filters are required for each catch basin on site)

For Curb, Drop Inlets or other questions please call (888) 526-4736.

Once you have sized your drains you may either fax or email back your measurements to:

**Fax: (925) 676-8676**

**Or**

**Email: Sales@remfilters.com**

Customer: \_\_\_\_\_ Contact: \_\_\_\_\_

Ph: (\_\_\_\_) \_\_\_\_\_ Fax: (\_\_\_\_) \_\_\_\_\_

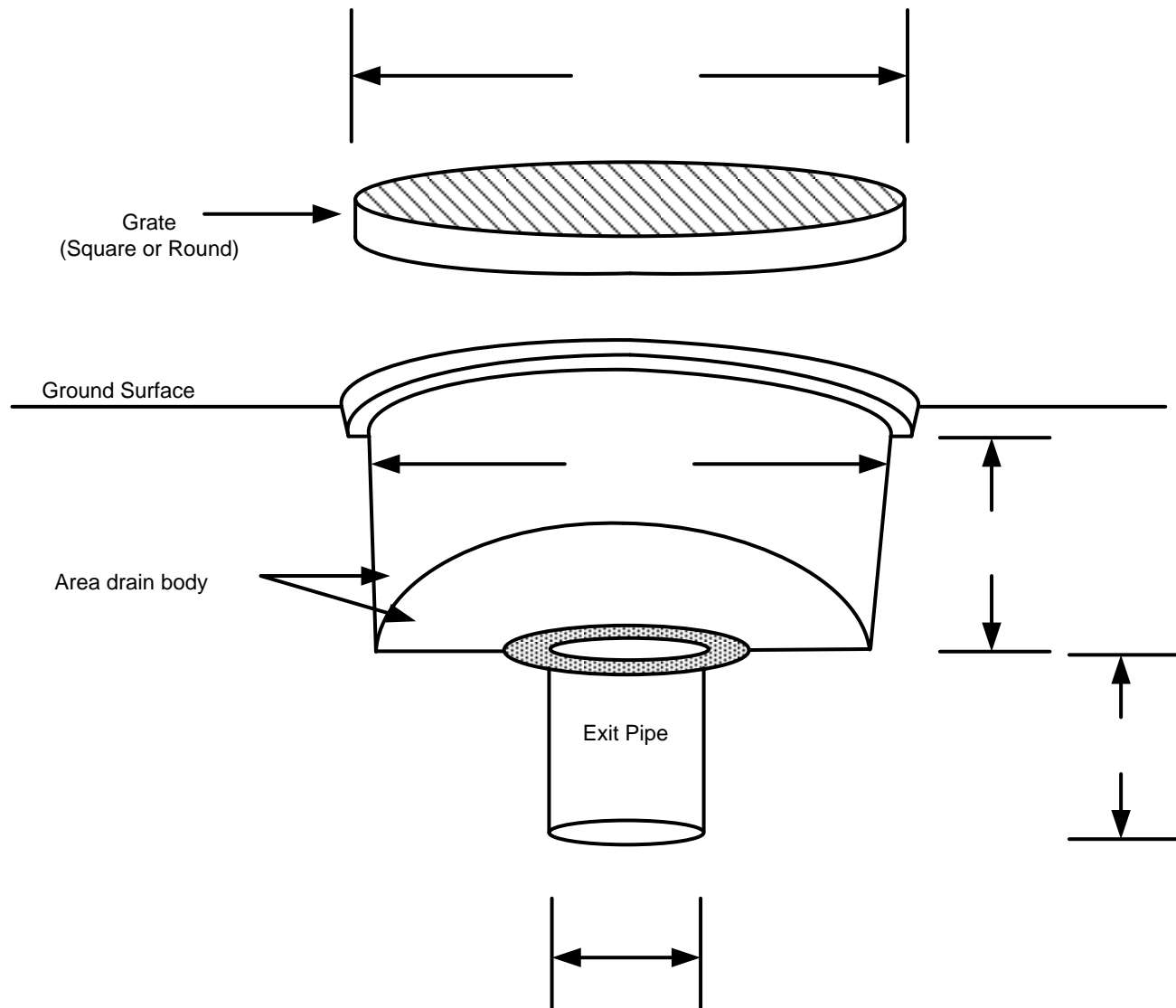
Project/Tract#: \_\_\_\_\_

Location: \_\_\_\_\_ Page \_\_\_\_\_ of \_\_\_\_\_

**REM's ADF & RDF Sizing Guide (For Area Drains & Roof Drains)**

*Side View Cut – Area Drain with Flat Grate*

Qty:



*Side View Cut – Area Drain with Domed Grate*

Qty:

