

**Sizing Guide for Square Drop Inlet Catch Basins**

**REM Inc.**

**CATCH BASIN SIZING GUIDE**

(Designed to help determine what size filters are required for each catch basin on site)

For Curb Inlets or other questions please call (888) 526-4736.

Once you have sized your drains you may either fax or email back your measurements to:

**Fax: (925) 676-8676**  
**Or**  
**Email: Sales@remfilters.com**

Customer: \_\_\_\_\_ Contact: \_\_\_\_\_

Ph: (\_\_\_\_) \_\_\_\_\_ Fax: (\_\_\_\_) \_\_\_\_\_

Project/Tract#: \_\_\_\_\_

Location: \_\_\_\_\_ Page \_\_\_\_\_ of \_\_\_\_\_

Drain #	Quantity	Catch Basin I.D.				Grate Dimensions			
		A	B	C	D	E	F	G	H

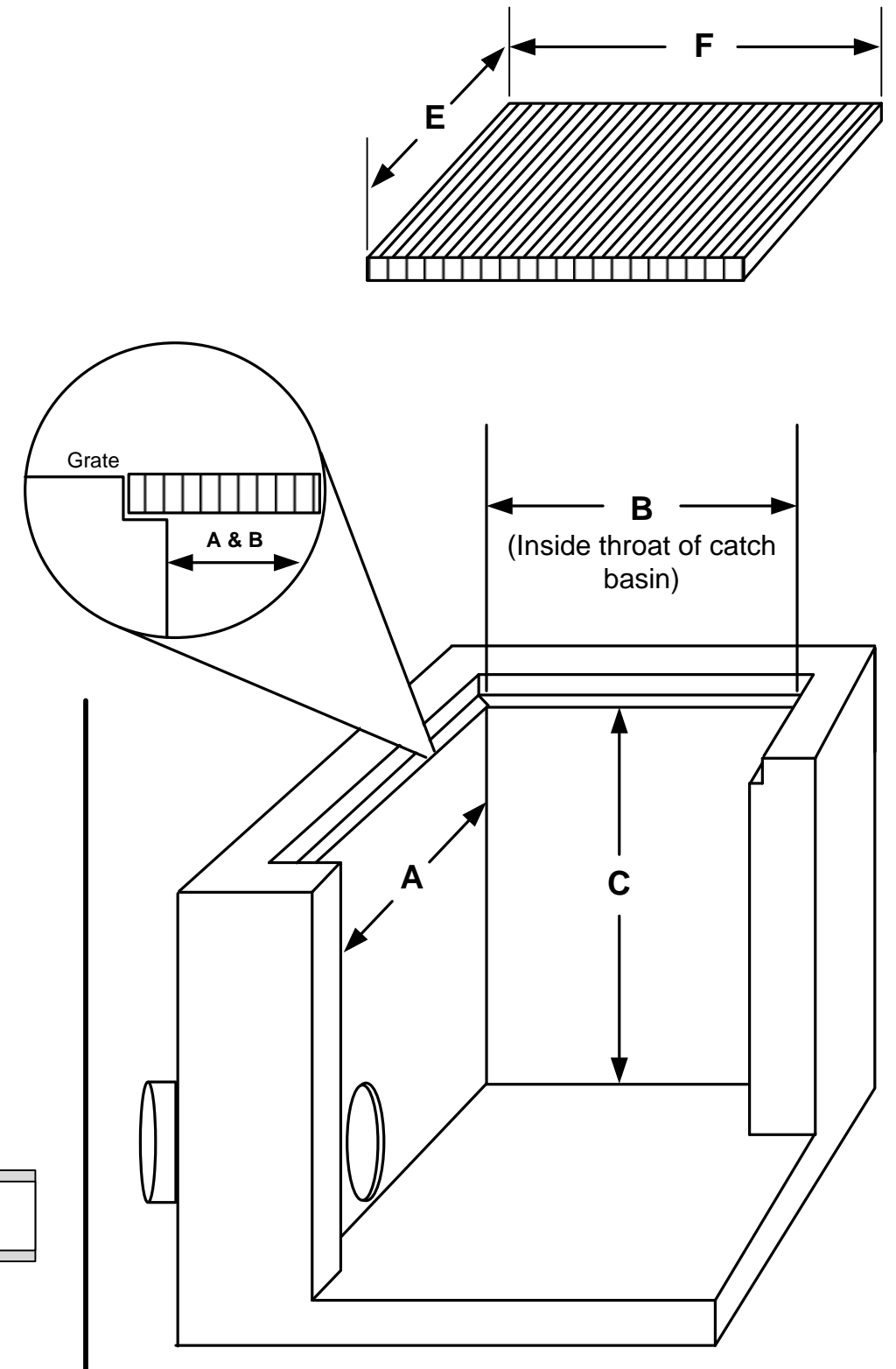
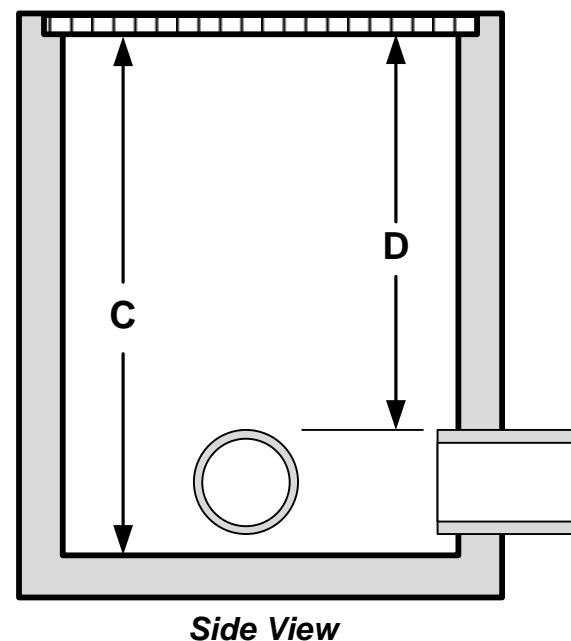
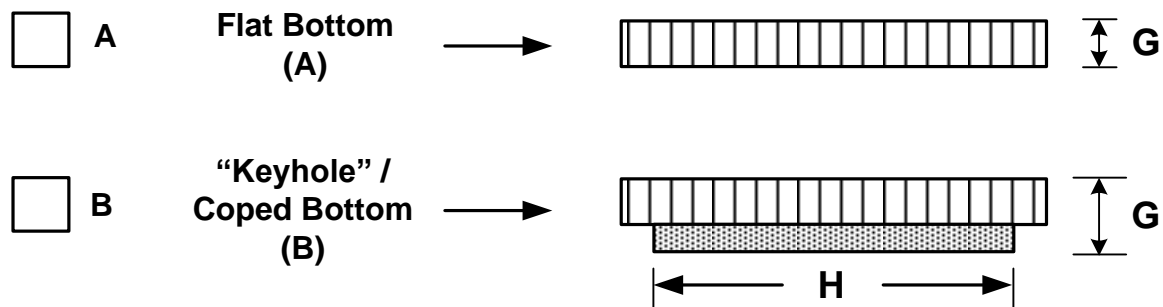
**NOTES:**

1. Please fill in all dimensions that apply within 1/8".
2. Please mark or draw in the location of any obstructions such as pipes, ladder rungs, etc.
3. Dimensions A & B are the clear openings or (inside throat) of the catch basin or the grate frame, whichever is less.
4. Dimension C is measured from the bottom of the grate to the bottom of the catch basin.
5. Dimension D is measured from the bottom of the grate to the top of the outlet pipe.

**COMMENTS:**


**G & H – Dimensions:**

**Grate Type, Mark one.**



**Sizing Guide for Round Drop Inlet Catch Basins**

**REM Inc.**

**CATCH BASIN SIZING GUIDE**

(Designed to help determine what size filters are required for each catch basin on site)

For Curb Inlets or other questions please call (888) 526-4736.

Once you have sized your drains you may either fax or email back your measurements to:

**Fax: (925) 676-8676**  
**Or**  
**Email: Sales@remfilters.com**

Customer: \_\_\_\_\_ Contact: \_\_\_\_\_

Ph: (\_\_\_\_) \_\_\_\_\_ Fax: (\_\_\_\_) \_\_\_\_\_

Project/Tract#: \_\_\_\_\_

Location: \_\_\_\_\_ Page \_\_\_\_\_ of \_\_\_\_\_

Drain #	Quantity	Catch Basin I.D.				Grate Dimensions			
		A	B	C	D	E	F	G	H
			N/A				N/A		
			N/A				N/A		
			N/A				N/A		
			N/A				N/A		
			N/A				N/A		
			N/A				N/A		

**NOTES:**

1. Please fill in all dimensions that apply within 1/8".
2. Please mark or draw in the location of any obstructions such as pipes, ladder rungs, etc.
3. Dimensions A is the clear openings or (inside throat) of the catch basin or grate frame, whichever is less.
4. Dimension C is measured from the bottom of the grate to the bottom of the catch basin.
5. Dimension D is measured from the bottom of the grate to the top of the outlet pipe.

**COMMENTS:**

---



---



---

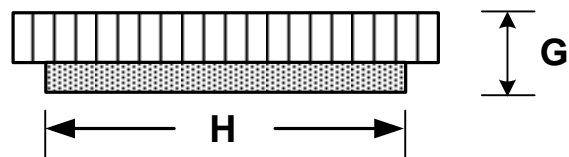


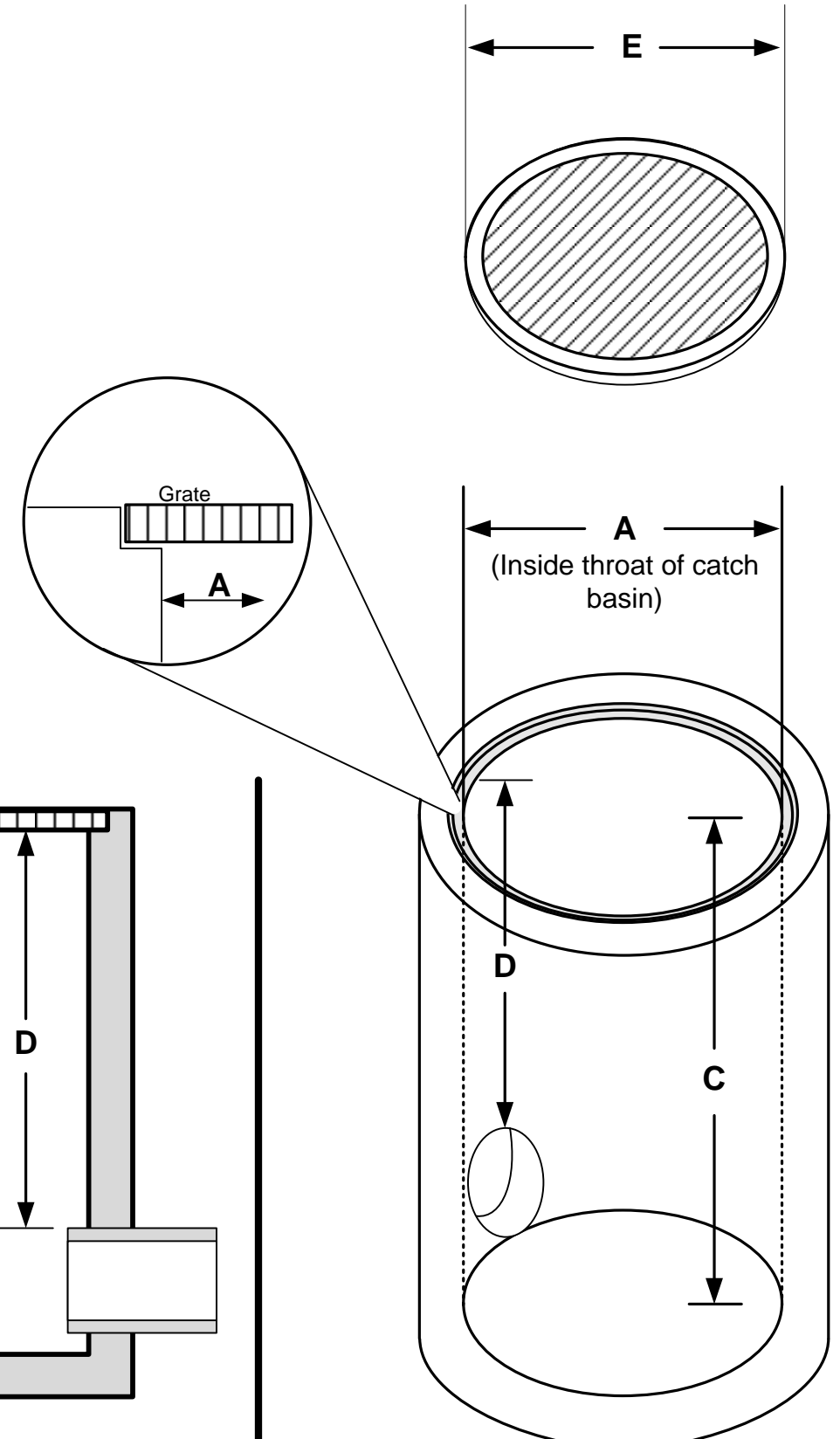
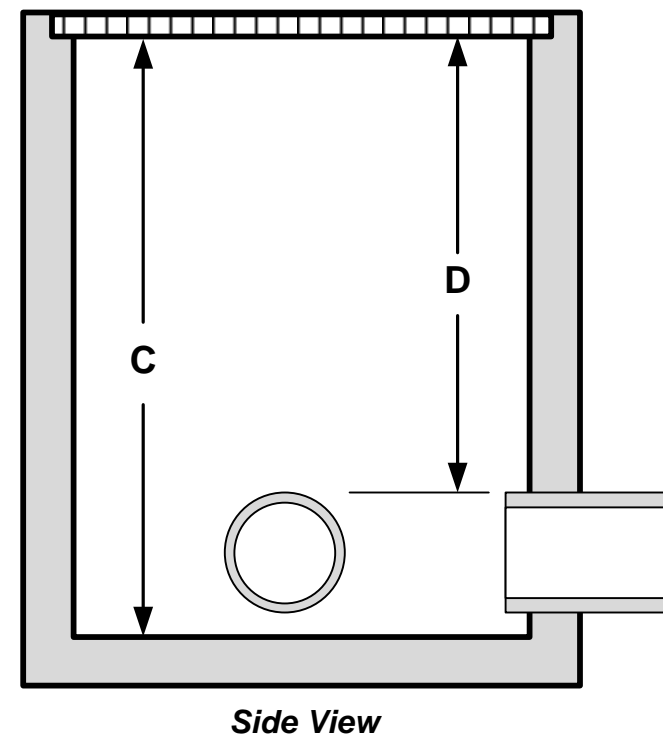
---

**G & H – Dimensions:**

**Grate Type, Mark one.**

**A Flat Bottom (A)** → 

**B "Keyhole" / Coped Bottom (B)** → 



**Combination Grated Curb Inlet Catch Basin Sizing Guide**

**REM Inc.**

**CATCH BASIN SIZING GUIDE**

(Designed to help determine what size filters are required for each catch basin on site)

For Curb Inlets or other questions please call (888) 526-4736.

Once you have sized your drains you may either fax or email back your measurements to:

**Fax: (925) 676-8676**  
**Or**  
**Email: Sales@remfilters.com**

Customer: \_\_\_\_\_ Contact: \_\_\_\_\_  
 Ph: (\_\_\_\_) \_\_\_\_\_ Fax: (\_\_\_\_) \_\_\_\_\_  
 Project/Tract#: \_\_\_\_\_  
 Location: \_\_\_\_\_ Page \_\_\_\_\_ of \_\_\_\_\_

Drain #	Quantity	Catch Basin I.D.				Grate Dimensions			
		A	B	C	D	E	F	G	H

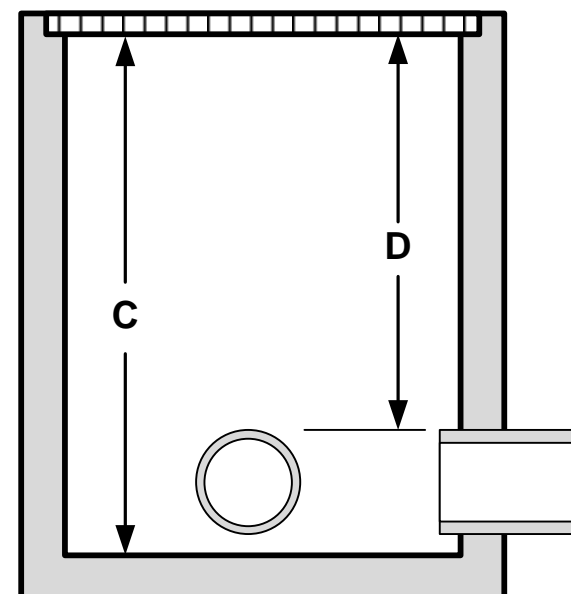
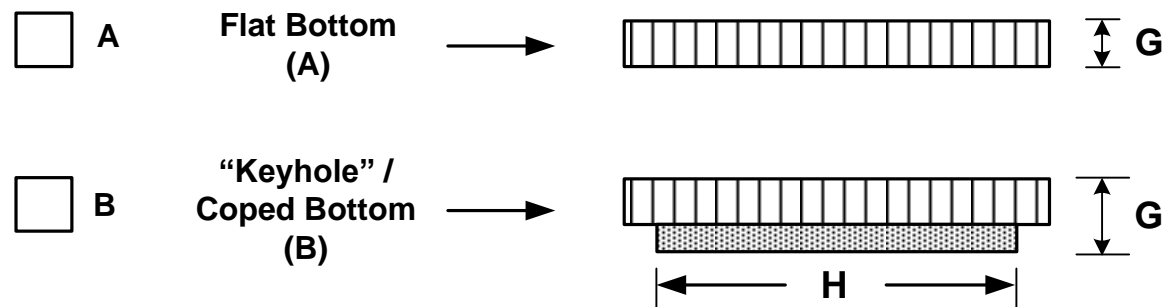
**NOTES:**

1. Please fill in all dimensions that apply within 1/8".
2. Please mark or draw in the location of any obstructions such as pipes, ladder rungs, etc.
3. Dimensions A & B are the clear openings or (inside throat) of the catch basin.
4. Dimension C is measured from the bottom of the grate to the bottom of the catch basin.
5. Dimension D is measured from the bottom of the grate to the top of the outlet pipe.

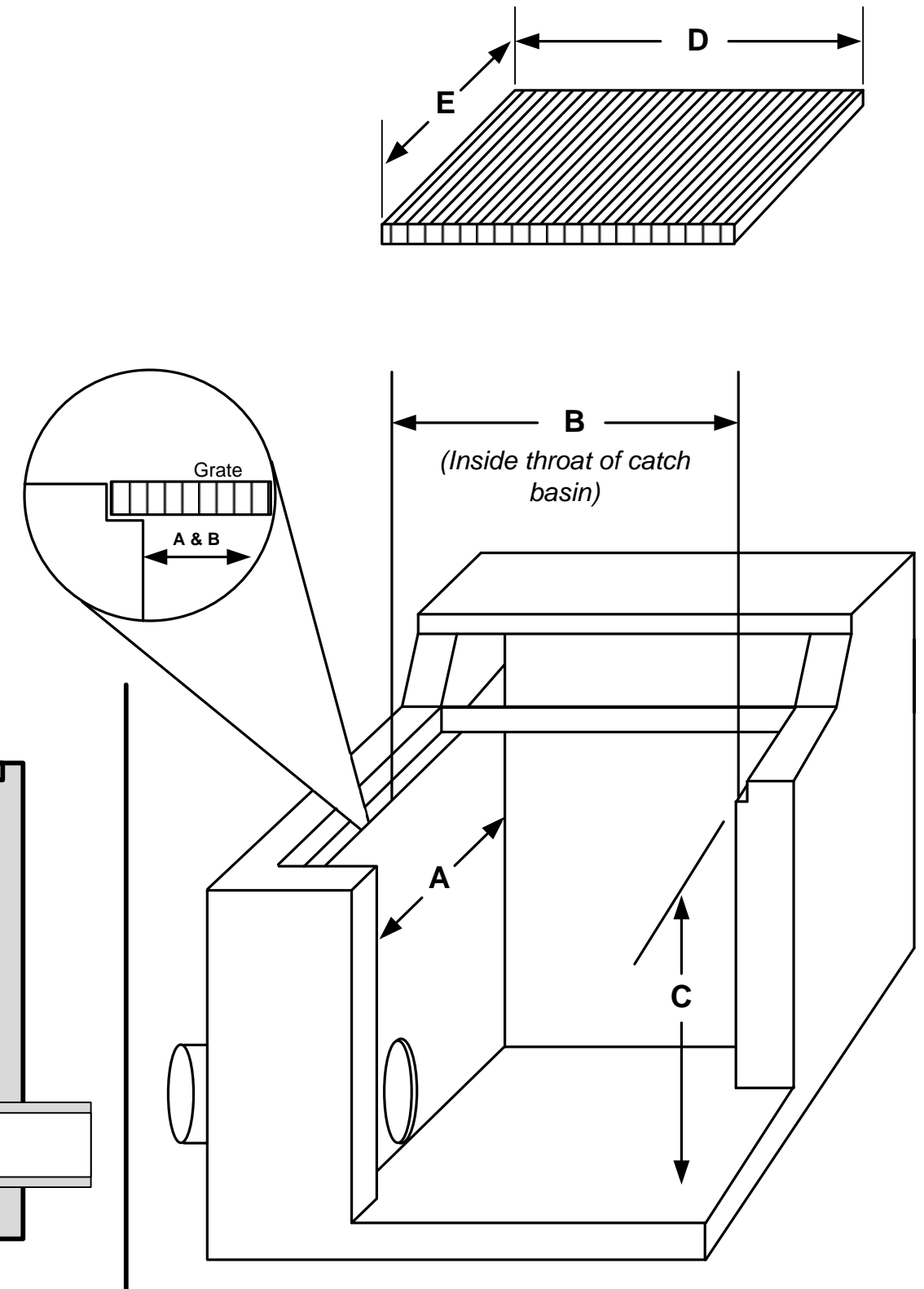
**COMMENTS:**


**G & H – Dimensions:**

**Grate Type, Mark one.**



*Side View*



**Sizing Guide for Catch Basins having Manhole Structures**

**REM Inc.**

**MANHOLE SIZING GUIDE**

(Designed to help determine what size filters are required for each catch basin on site)

For Curb Inlets or other questions please call (888) 526-4736.

Once you have sized your drains you may either fax or email back your measurements to:

**Fax: (925) 676-8676**  
**Or**  
**Email: Sales@remfilters.com**

Customer: \_\_\_\_\_ Contact: \_\_\_\_\_

Ph: (\_\_\_\_) \_\_\_\_\_ Fax: (\_\_\_\_) \_\_\_\_\_

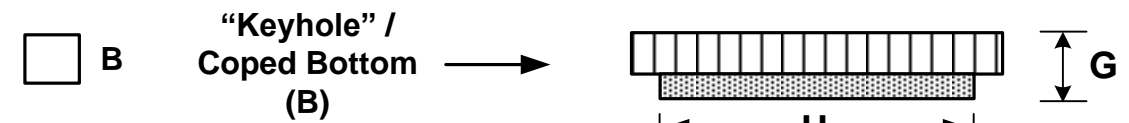
Project/Tract#: \_\_\_\_\_

Location: \_\_\_\_\_ Page \_\_\_\_\_ of \_\_\_\_\_

Drain #	Quantity	Manhole / Catch Basin I.D.				Grate Dimensions			
		A	B	C	D	E	F	G	H

**G, H & F – Dimensions:**

**Grate Type, Mark one.**



(E/F: If grate is square)

**NOTES:**

1. Please fill in all dimensions that apply within 1/8".
2. Please mark or draw in the location of any obstructions such as pipes, ladder rungs, etc.
3. Dimension A is the clear openings or (inside throat) of the catch basin or grate frame, whichever is less.
4. Dimension C is measured from the bottom of the neck or slab to the bottom of the catch basin.
5. Dimension D is measured from the bottom of the grate to the top of the outlet pipe.

**COMMENTS:**

---



---



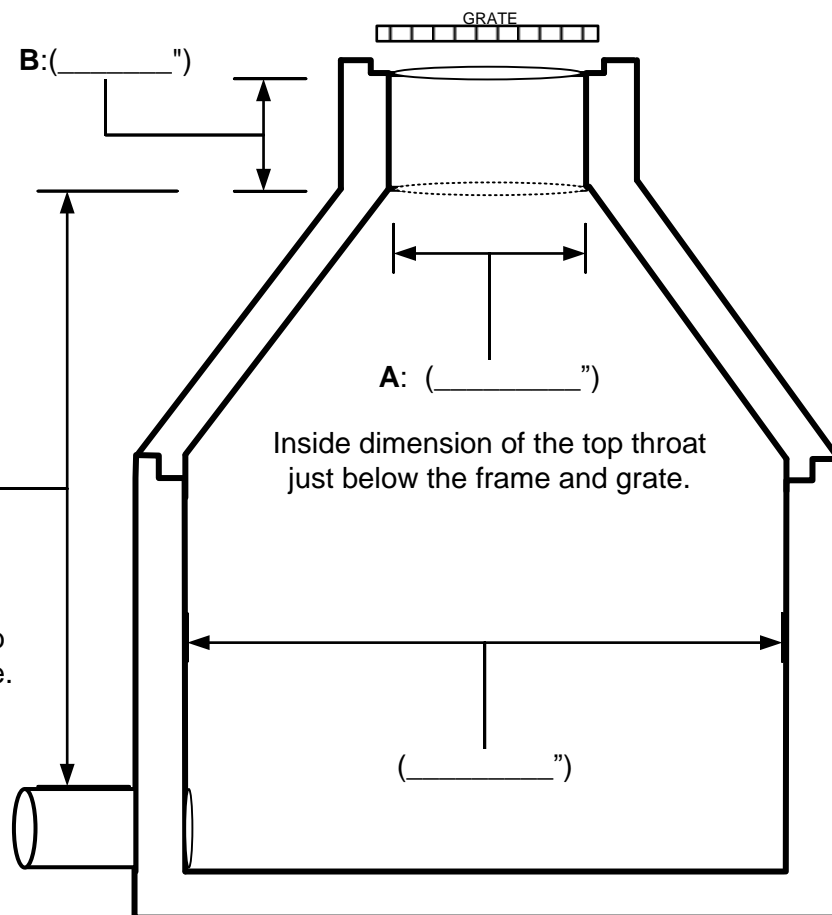
---



---

**Manhole with a coned top**

The thickness of the concrete throat before it expands below



The depth of the catch basin

C: (\_\_\_\_) "

A: (\_\_\_\_) "

Inside dimension of the top throat just below the frame and grate.

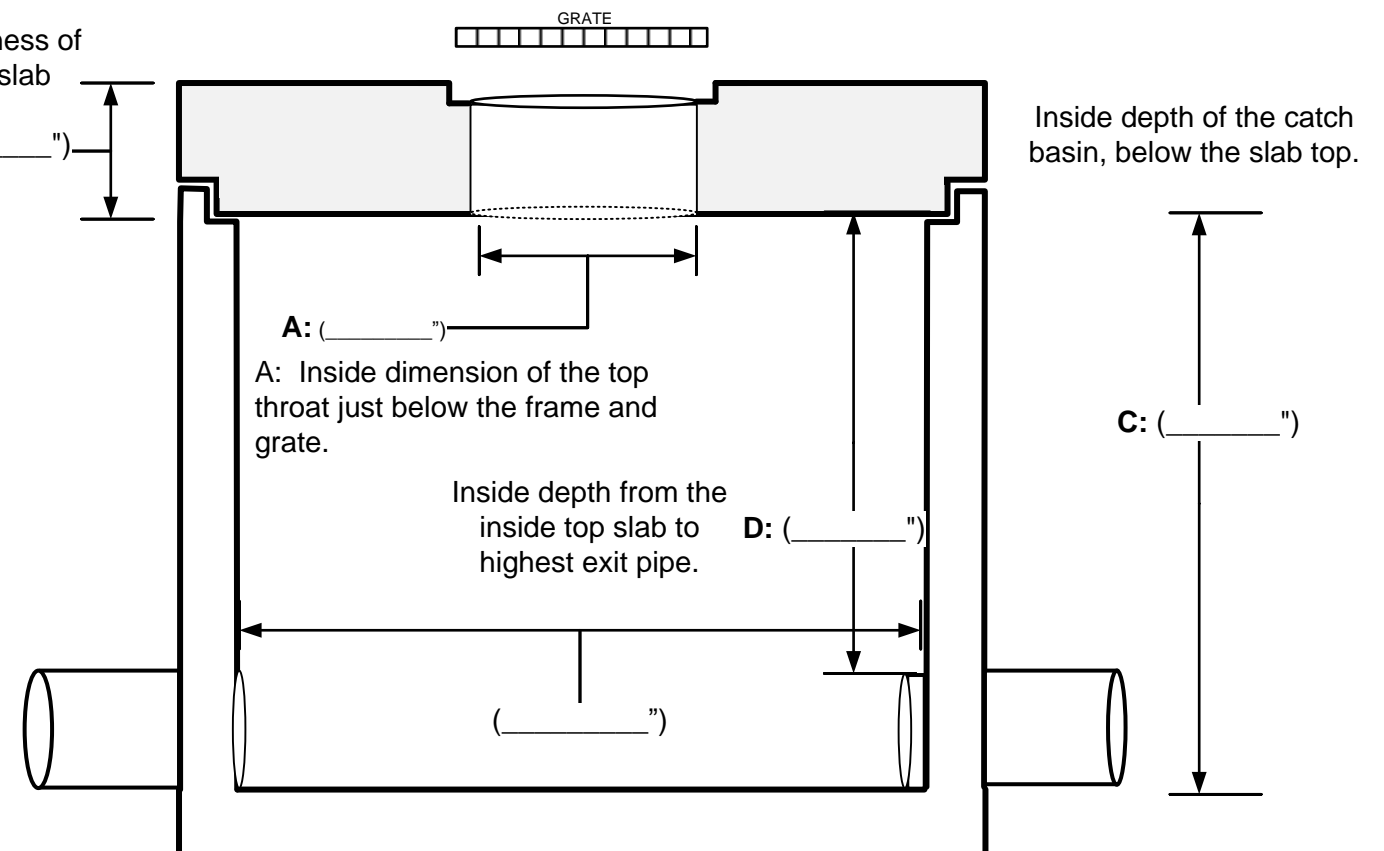
D: (\_\_\_\_) "

Inside depth from the inside top slab to highest exit pipe.

**Manhole with a flat top cap**

The thickness of the top slab

B: (\_\_\_\_) "



Inside depth of the catch basin, below the slab top.

A: (\_\_\_\_) "

A: Inside dimension of the top throat just below the frame and grate.

Inside depth from the inside top slab to highest exit pipe.

D: (\_\_\_\_) "

C: (\_\_\_\_) "

**Sizing Guide for Curb Inlet Catch Basins**

**REM Inc.**

**CATCH BASIN SIZING GUIDE**

(Designed to help determine what size filters are required for each catch basin on site)

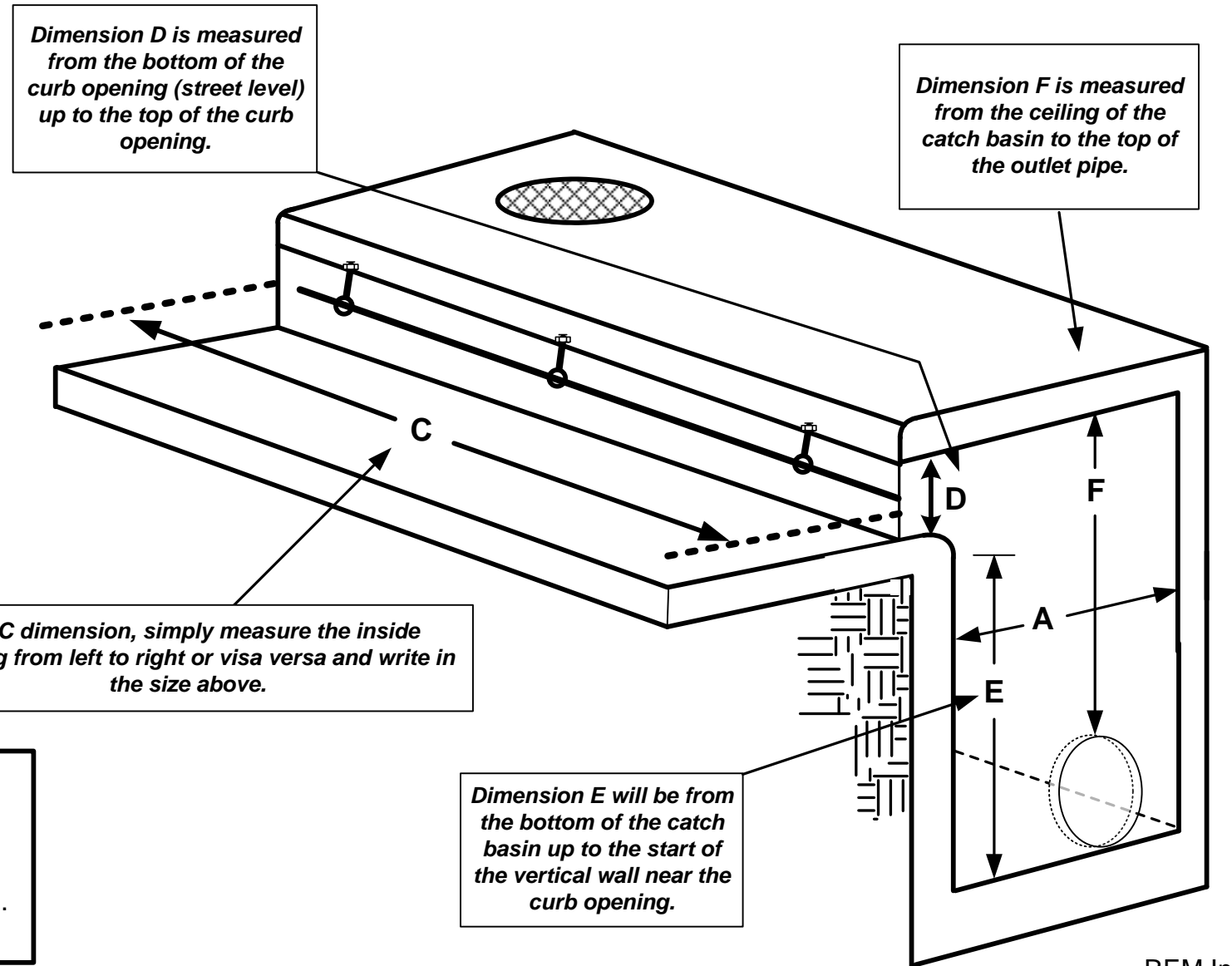
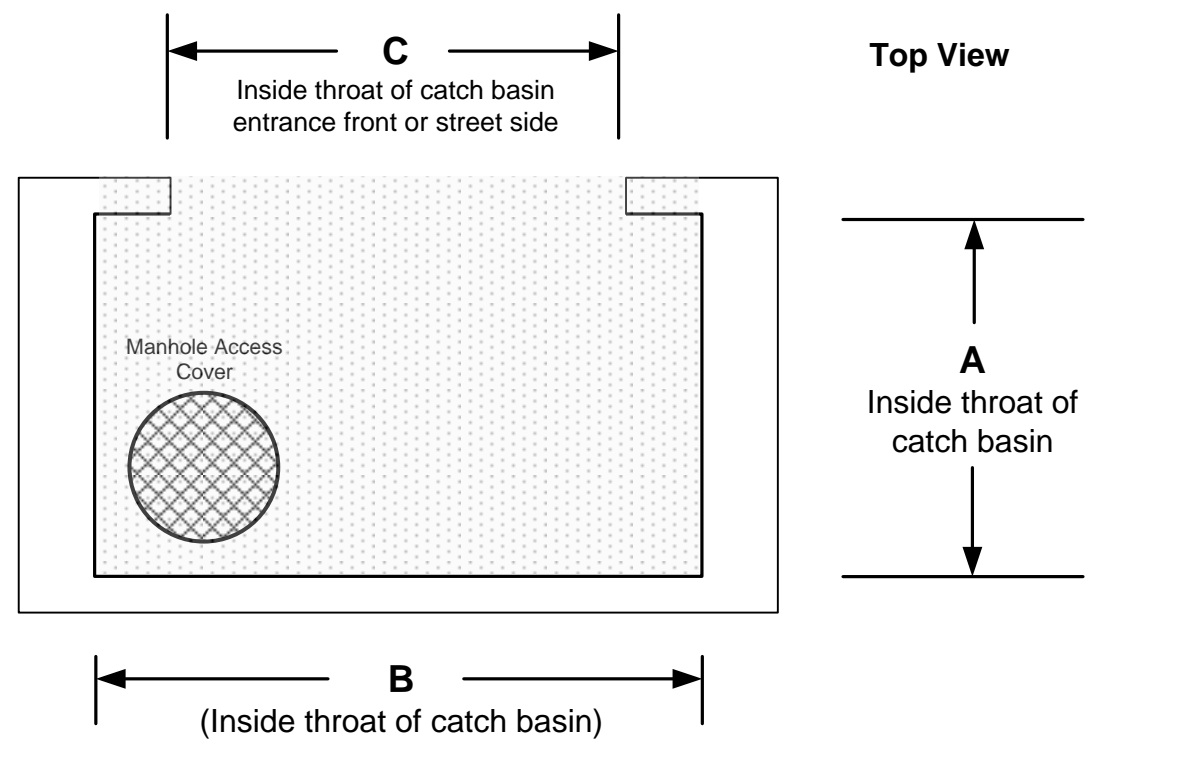
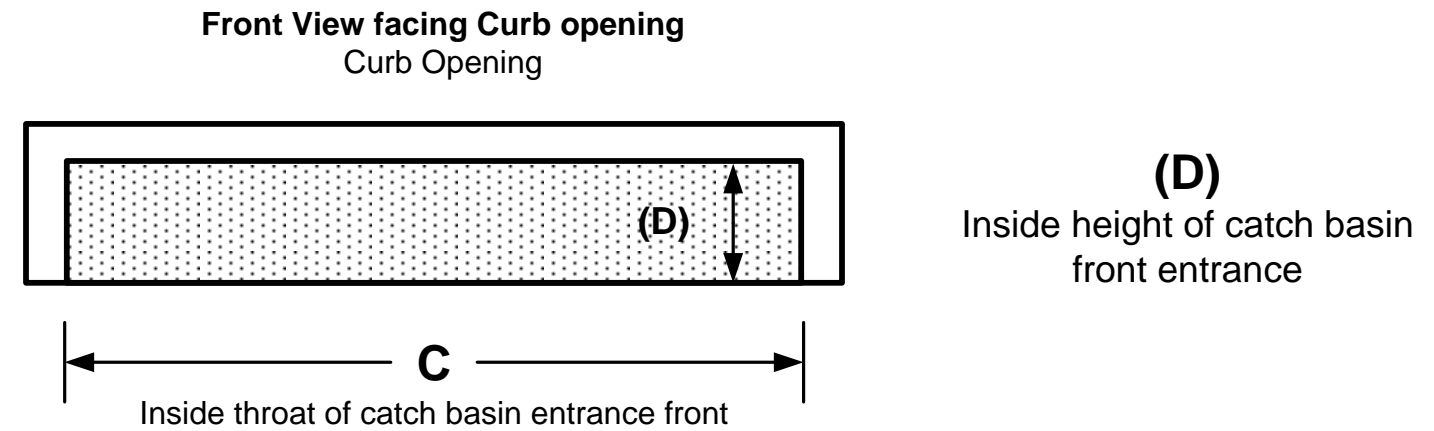
For drop Inlets or other types of catch basins please call (888) 526-4736.

Once you have sized your drains you may either fax or email back your measurements to:

**Fax: (925) 676-8676**  
**Or**  
**Email: Sales@remfilters.com**

Customer: \_\_\_\_\_ Contact: \_\_\_\_\_  
 Ph: (\_\_\_\_) \_\_\_\_\_ Fax: (\_\_\_\_) \_\_\_\_\_  
 Project/Tract#: \_\_\_\_\_  
 Location: \_\_\_\_\_ Page \_\_\_\_\_ of \_\_\_\_\_

Drain #	Quantity	Curb Inlet Dimensions					
		A	B	C	D	E	F



- NOTES:**
1. Please fill in all dimensions that apply within 1/8".
  2. Please mark the location of any obstructions such as pipes, ladder rungs, etc.
  3. Dimensions C & D are the clear openings (or throat opening from the street) of the catch basin.
  4. Dimension E is measured from the bottom of the catch basin up to the start of the inside vertical wall.
  5. Dimension F is measured from the ceiling of the catch basin to the top of the outlet pipe.