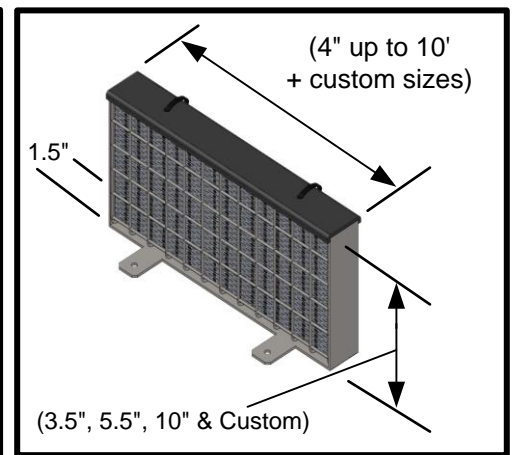
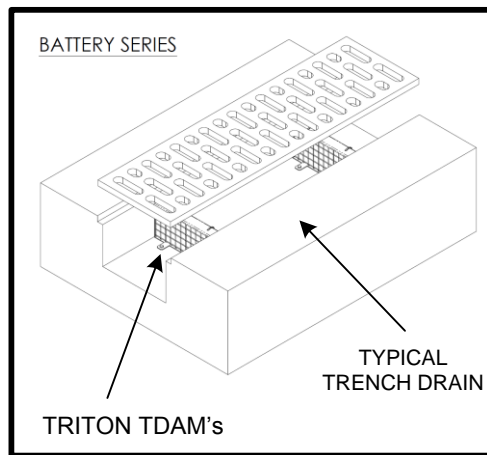
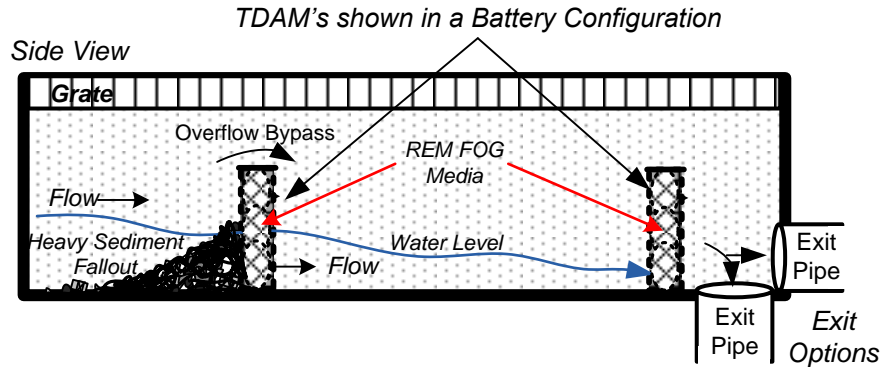


# REM's TRITON – TDAM (Trench Drain Filter) Series

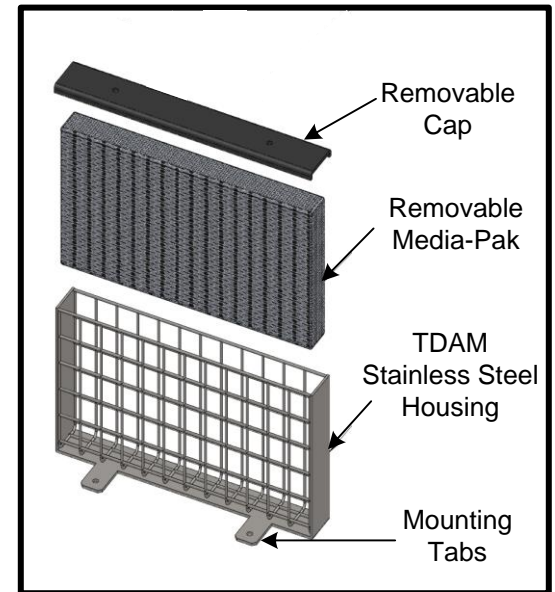
REM designed the TRITON -TDAM Filter Series to provide a highly adaptable solution that allows the flexibility to maximize the filter treatment flow rates and pollutant capturing capacity in trench drain and shallow type drains applications. TRITON -TDAM Filters may be utilized in new construction or retrofitted into existing drain structures. They are sized to spec and scalable for all different lengths and applications. Media strategy may also be optimized for specific pollutant concerns.



## Notes:

- All dimensions are in inches, unless otherwise noted.
- REM TRITON TDAM Filters can be sized to fit most industry standard trench drains, parkway drains, shallow structures, catch basins, etc. REM also designs custom filters for unique storm water infrastructures and applications.
- REM TRITON TDAM filter cartridge housings are constructed utilizing Type 304 Stainless Steel, with 1" X 1" welded square openings.
- Multiple TDAM Filter Inserts can be staged in line with one another in order to provide additional levels of filtration (Battery Series).
- REM TRITON replacement Filter Media Packs are charged with REM FOG media an expanded volcanic ash medium treated to be highly hydrophobic housed in a durable geo-textile perforated polypropylene woven fabric. REM FOG media effectively encapsulates liquefied petroleum hydrocarbons (Fats, Oils & Grease including animal fats). The media's hydrophobic characteristic allows for greater polishing of flow resulting in the reduction of Total Suspended Solids (TSS). Suspended solid reduction includes but is not limited to debris, trash, silt sediment and agglomerated heavy metals. (Additional media options are available including mixed blends of granulated carbon [AC] and Zeolite [ZEO].)
- Filter Height should be designed to allow for a high flow overflow bypass to eliminate pooling or flooding during heavy rain events.
- REM's disposable Media Filter Packs are easily removed for maintenance.
- See REM Specifier Sheets for size, model and flow rate information.
- REM TRITON filters are to be installed and maintained in accordance with manufacturer recommendations.
- Maintenance information and replacement REM Media Packs are available upon request by contacting REM at sales@remfilters.com or (888) 526-4736.
- Made in the USA.

**MADE IN USA**



TRITON – TDAM SERIES FILTER  
By REM Inc. (888.526.4736)  
www.remfilters.com

THE DESIGN AND DETAIL OF THIS DRAWING IS THE PROPERTY OF REM INC. AND IS NOT TO BE USED EXCEPT IN CONNECTION WITH OUR WORK. DESIGN AND INVENTION RIGHTS ARE RESERVED.

U.S. Patent Pending

PH: (888) 526-4736

DIMENSIONS ARE IN INCHES UNLESS OTHERWISE NOTED.

**REM Inc.**

**TRITON TDAM FILTER SERIES**  
(For trench drains and other applications)

DRAWN BY: C.F. FOR: Trench Drains - Other REV

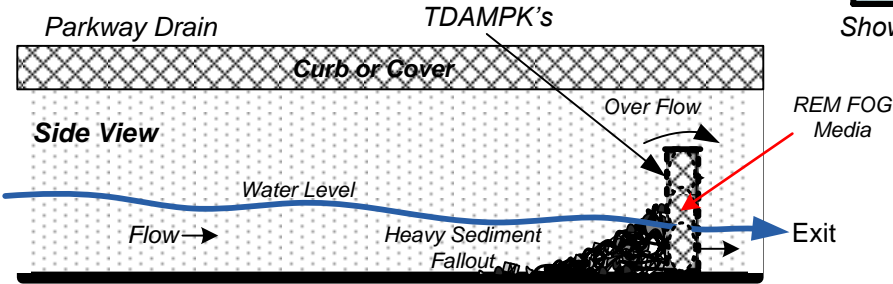
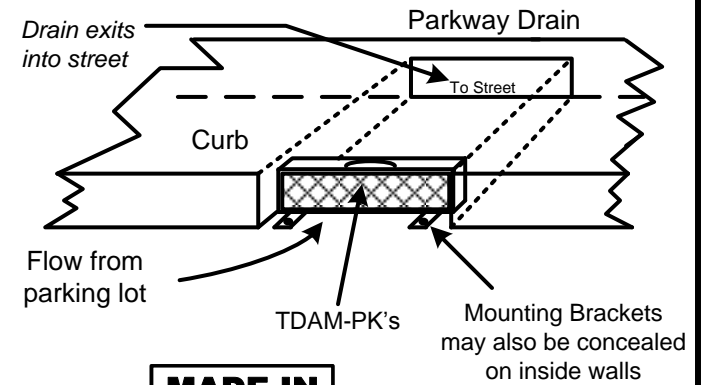
SCALE: 1/4 : 1 DATE: 8/3/2013 SHEET: 1 OF 1

# REM's TRITON – TDAMPK (Parkway Drain Filter) Series

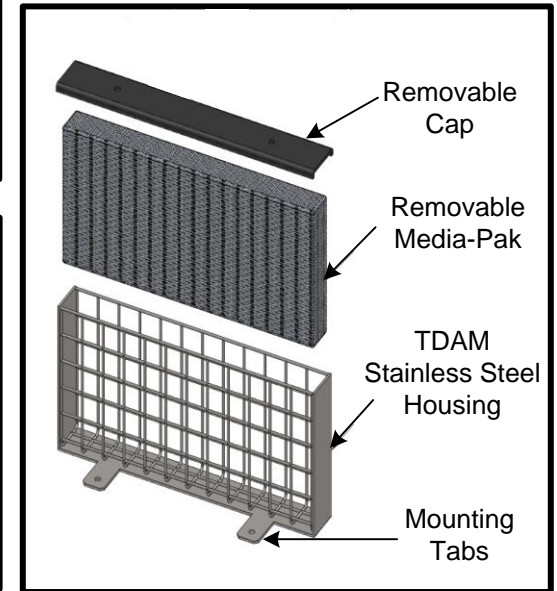
REM designed the TRITON -TDAMPK Filter Series to provide a highly adaptable solution that allows the flexibility to maximize the filter treatment flow rates and pollutant capturing capacity in parkway type drains. TRITON -TDAMPK's Filters may be utilized in new construction or retrofitted in existing parkway drain structures. They are sized to spec and scalable for all different lengths and applications. Media strategy may also be optimized for specific pollutant concerns.



Shown with two TDAMPK's Installed

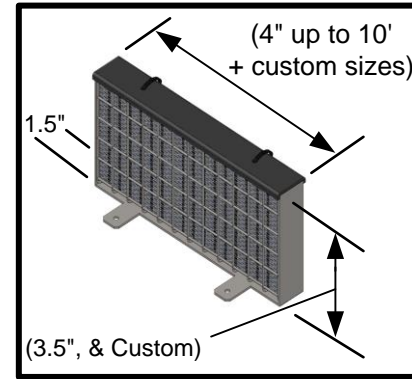


**MADE IN USA**



## Notes:

- All dimensions are in inches, unless otherwise noted.
- REM TRITON TDAMPK's Filters Series are designed to be used universally in all different types of shallow and custom type catch basins available today. REM also designs custom filters for unique storm water infrastructures and applications.
- TRITON TDAMPK filter cartridge housings are constructed utilizing Type 304 Stainless Steel, with 1" X 1" welded square openings.
- Multiple TDAM Filter Inserts can be staged in line with one another in order to provide additional levels of filtration (Battery Series).
- REM TRITON replacement Filter Media Packs are charged with REM FOG media an expanded volcanic ash medium treated to be highly hydrophobic housed in a durable geo-textile perforated polypropylene woven fabric. REM FOG media effectively encapsulates liquefied petroleum hydrocarbons (Fats, Oils & Grease including animal fats). The media's hydrophobic characteristic allows for greater polishing of flow resulting in the reduction of Total Suspended Solids (TSS). Suspended solid reduction includes but is not limited to debris, trash, silt sediment and agglomerated heavy metals. (Additional media options are available including mixed blends of granulated carbon [AC] and Zeolite [ZEO].)
- Filter Height should be designed to allow for a high flow overflow bypass to eliminate pooling or flooding during heavy rain events.
- REM's disposable Media Filter Packs are easily removed for maintenance.
- See REM Specifier Sheets for size, model and flow rate information.
- REM TRITON filters are to be installed and maintained in accordance with manufacturer recommendations.
- Maintenance information and replacement REM Media Packs are available upon request by contacting REM at sales@remfilters.com or (888) 526-4736.
- Made in the USA.



TRITON – TDAMPK SERIES FILTER  
By REM Inc. (888.526.4736)

THE DESIGN AND DETAIL OF THIS DRAWING IS THE PROPERTY OF REM INC. AND IS NOT TO BE USED EXCEPT IN CONNECTION WITH OUR WORK. DESIGN AND INVENTION RIGHTS ARE RESERVED.		<b>REM Inc.</b>		
U.S. Patent Pending				<b>TRITON TDAMPK FILTER SERIES</b>
PH: (888) 526-4736		DRAWN BY:	FOR:	REV
DIMENSIONS ARE IN INCHES UNLESS OTHERWISE NOTED.		C.F.	Parkway/Trench Drains - Other	
SCALE	1/4 : 1	DATE:	8/3/2013	SHEET
				1 OF 1

# TRITON TDAM SERIES by REM Inc.

## Additional Overflow

Top Sections of TDAM'S are mounted so that they leave at least a 25% opening between the top of the filter and the bottom of the grate. This opening has been designed to allow for large storm events to bypass TDAM Filter when needed.

TRITON TDAM Filters have been designed to be used universally in the many different and unique types of catch basins both above and below ground infrastructures. They are designed to take advantage of each catch basin's dimensions and size, maximizing for the best flow and capture area possible.

**MADE IN  
USA**



TDAM - Installed, before service



TDAM - After service



TDAM - BFTG - FOG Installed in a curb



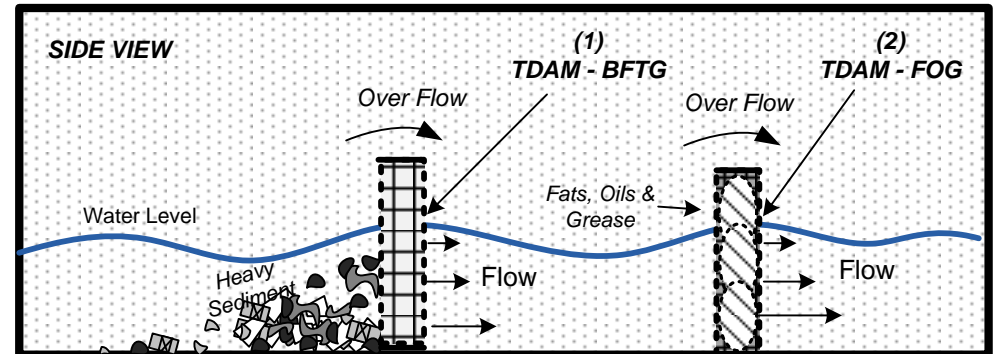
TDAM - FOG Installed in a trench drain

## Notes:

- REM TRITON TDAM Filters can be sized to fit most industry standard trench drains, parkway drains, shallow structures, catch basins, etc. REM also designs custom filters for unique storm water infrastructures and applications.
- REM TRITON TDAM filter cartridge housings are constructed utilizing Type 304 Stainless Steel, with 1" X 1" welded square openings.
- Multiple TDAM Filter Inserts can be staged in line with one another in order to provide additional levels of filtration (Battery Series).
- REM TRITON replacement Filter Media Packs are charged with REM FOG media an expanded volcanic ash medium treated to be highly hydrophobic housed in a durable geo-textile perforated polypropylene woven fabric. REM FOG media effectively encapsulates liquefied petroleum hydrocarbons (Fats, Oils & Grease including animal fats). The media's hydrophobic characteristic allows for greater polishing of flow resulting in the reduction of Total Suspended Solids (TSS). Suspended solid reduction includes but is not limited to debris, trash, silt sediment and agglomerated heavy metals. (Additional media options are available including mixed blends of granulated carbon [AC] and Zeolite [ZEO].)
- Filter Height should be designed to allow for a high flow overflow bypass to eliminate pooling or flooding during heavy rain events.
- REM's disposable Media Filter Packs are easily removed for maintenance.
- See REM Specifier Sheets for size, model and flow rate information.
- REM TRITON filters are to be installed and maintained in accordance with manufacturer recommendations.
- Maintenance information and replacement REM Media Packs are available upon request by contacting REM at sales@remfilters.com or (888) 526-4736.
- Made in the USA.

## TDAM – Battery Series:

Shown with the TDAM – BFTG (1), to capture larger debris, such as trash and sediment. Second layer of filtering to be done with the TDAM – FOG (2) to capture hydrocarbons and other finer pollutants.



THE DESIGN AND DETAIL OF THIS DRAWING IS THE PROPERTY OF REM INC. AND IS NOT TO BE USED EXCEPT IN CONNECTION WITH OUR WORK. DESIGN AND INVENTION RIGHTS ARE RESERVED.

Patent Pending

PH: (888) 526-4736

DIMENSIONS ARE IN INCHES UNLESS OTHERWISE NOTED.

**REM Inc.**

**TRITON TDAM FILTER**  
(Multiple Applications for REM Filters)

SIZE	DRAWN BY:	FOR:	REV
SCA	1/4 : 1	Trash-filtering and polishing	1 OF 1
DATE: 1/22/2012		SHE	