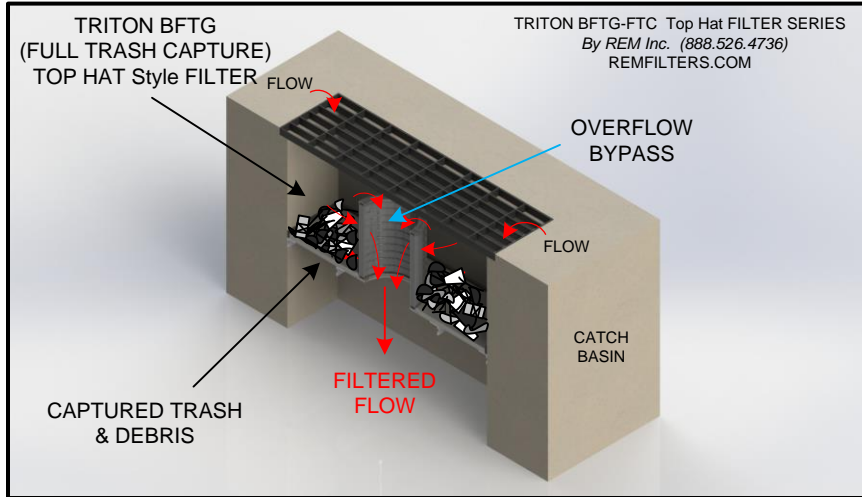


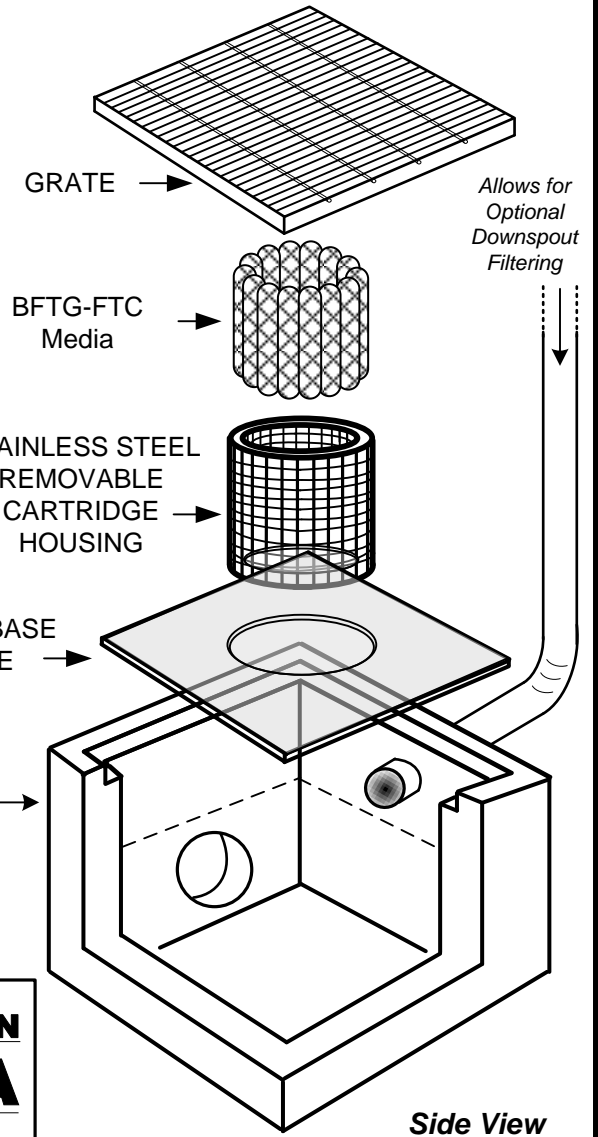
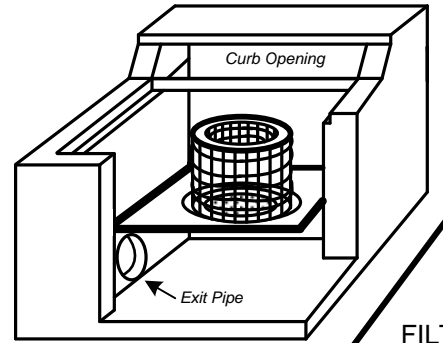
# REM TRITON BFTG-FTC (FULL TRASH CAPTURE) Series

REM designed the TRITON BFTG-FTC Filter Series to provide a highly adaptable solution that allows the flexibility to maximize the filter treatment flow rates and pollutant capturing capacity. TRITON BFTG-FTC filters are designed to capture 100% of trash and debris 5mm or greater in size and may be utilized in new construction or retrofitted in existing catch basin structures. They are sized to spec or modified in the field for drains with unusual dimensions and unique frame and grates. Filter Cartridges may be easily removed when servicing. Media strategy may be optimized for specific pollutant concerns.



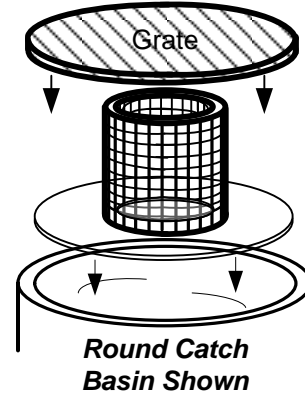
TRITON BFTG-FTC Top Hat FILTER SERIES  
By REM Inc. (888.526.4736)  
REMFILTERS.COM

## Shown with a Combination Curb/ Grated Catch Basin



### Notes:

- The TRITON BFTG-FTC Series Filters may be customized in the field to fit catch basins with irregular dimensions or unusual frame and grate types. REM also designs custom filters for unique storm water infrastructures and applications.
- Base plates are constructed using High Density Polyethylene Plastic (HDPE).
- Filter cartridge housings are constructed utilizing Type 304 Stainless Steel, with 2" welded square openings.
- Removable cartridge tops are constructed utilizing over 100% recycled ABS Plastic.
- REM TRITON BFTG-FTC uses Bioflex which is a three dimensional woven natural fiber media designed to capture debris, trash and sediment. Mesh density of 3.5 ounces per square foot minimizes occlusion and blinding and allows for sustained high volume stormwater treatment rates. The exterior edge of the Bioflex is fitted with a netted polyester fiber configured to capture 100% of trash and debris at 5mm or greater in size. Bioflex is an approved "Full Trash Capture" specification. (Additional media options are also available including mixed blends of granulated carbon [AC] and Zeolite [ZEO] expanded perlite (FOG).
- REM TRITON filter cartridges are removable for ease of cleaning and maintenance.
- Filter designs include a high flow overflow bypass to eliminate pooling or flooding during heavy rain events.
- See our Specifier Sheet for sizes, models and flow rate information.
- Maintenance information and replacement REM Media Packs are available upon request by contacting REM at sales@remfilters.com or (888) 526-4736.
- Made in the USA.



**MADE IN  
USA**

Cartridge Diameter size may vary by catch basin. Taller cartridge options provide greater volume capacity and increased treatment rates.

THE DESIGN AND DETAIL OF THIS DRAWING IS THE PROPERTY OF REM INC. AND IS NOT TO BE USED EXCEPT IN CONNECTION WITH OUR WORK, DESIGN AND INVENTION RIGHTS ARE RESERVED.

U.S. Patent Number:  
6,217,757

PH: (888) 526-4736

DIMENSIONS ARE IN INCHES  
UNLESS OTHERWISE NOTED.

**REM Inc.**

**TRITON BFTG-FTC SERIES**  
(Full Trash Capture Cartridge System)

SCA IF	DRAWN BY: C.F.	FOR: Catch Basin Combinations	REV
1/4 : 1	DATE: 3/3/2013	SHE ET 1 OF 1	