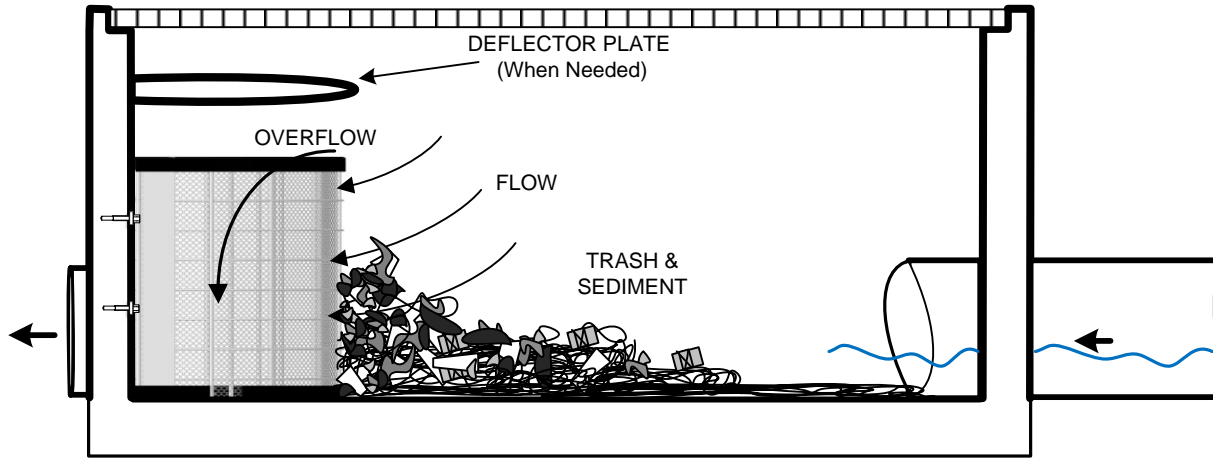


REM TRITON CPS Series (Crescent Pipe Screen)

REM designed the TRITON CPS Filter Series to provide a highly adaptable solution that allows the flexibility to maximize the filter treatment flow rates and TRASH capturing capacity. TRITON CPS filters are designed to capture trash and debris, and may be utilized in new construction or retrofitted in existing catch basin structures. They are sized to spec or modified in the field for drains with unusual dimensions and unique frame and grates. Optional filter elements may be easily removed when servicing. Media strategy may be optimized for specific pollutant concerns. **Constructed with 10 Gauge Type 304 Welded Stainless Steel, the REM CPS unit offers superior strength to go along with its "Arched" design.**

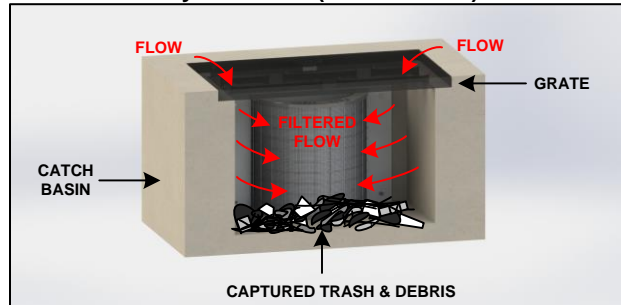


Notes:

- The TRITON - Crescent Series Filters are available in sizes to fit most industry standard pipes and catch basins. Custom sizes are also available to fit most applications.
- Filter cartridge housings are constructed utilizing 10 Gauge Type 304 Stainless Steel, with 2" welded square openings.
- Removable CPS tops are constructed utilizing over 90% recycled ABS plastic.
- Filter medium is configured with REM FOG media, charged to capture hydrocarbons, trash and debris. (Additional media options are available including trash and debris guard PERF & BFTG, granulated carbon (AC), Zeolite (ZEO) and mixed blends there of.)
- Replacement Media-Pak's are easily removed for servicing.
- Filter designs include a high flow overflow bypass to eliminate pooling or flooding during heavy rain events.
- Optional Deflector Plate routes flow onto the filtering side of filter. Certain application may not need this option.
- See our Specifier Sheet for sizes, and flow rates.
- Maintenance information and replacement media packs are available upon request by contacting REM at sales@remfilters.com or (888) 526-4736.

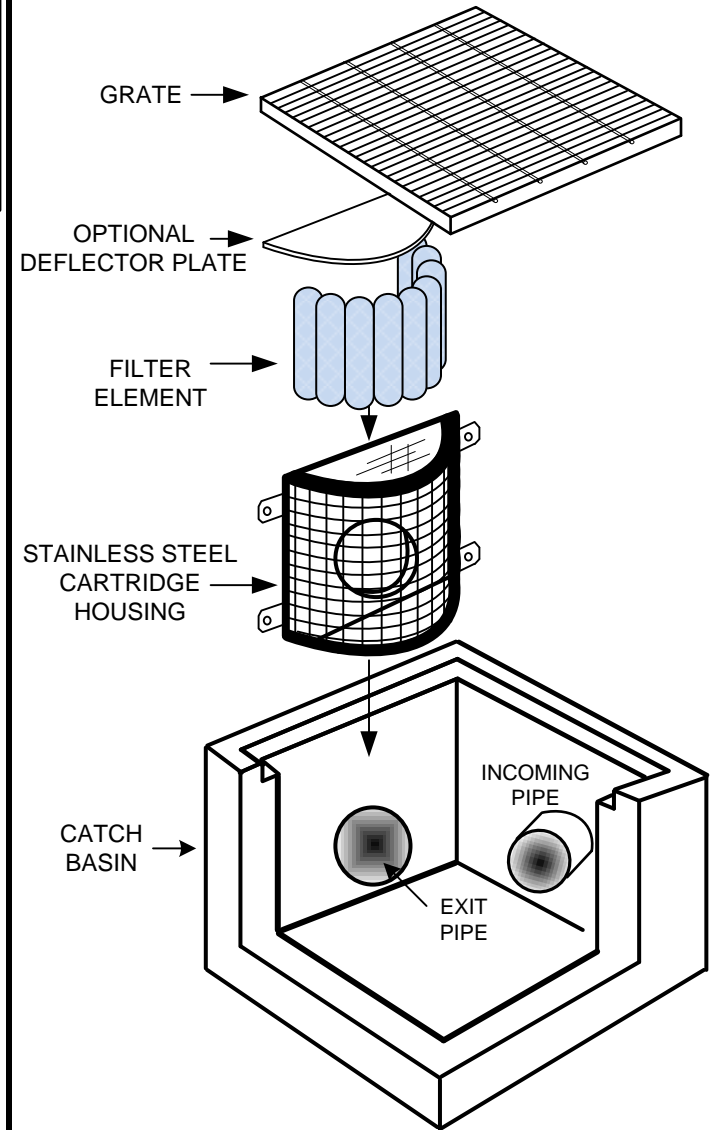
TRITON CPS CRESCENT PIPE SCREEN SERIES FILTER

By REM Inc. (888.526.4736)



MADE IN USA

CPS size may vary by catch basin. Taller cartridge options provide greater volume capacity and increased treatment rates.



THE DESIGN AND DETAIL OF THIS DRAWING IS THE PROPERTY OF REM INC. AND IS NOT TO BE USED EXCEPT IN CONNECTION WITH OUR WORK, DESIGN AND INVENTION RIGHTS ARE RESERVED.

PATENT PENDING

PH: (888) 526-4736

DIMENSIONS ARE IN INCHES UNLESS OTHERWISE NOTED.

REM Inc.

TRITON CPS SERIES
(Crescent Pipe Screen)

SCA LE	DRAWN BY: C.F.	FOR: Inline Filtering	REV
1/4 : 1	DATE: 3/1/2015	SHE ET	1 OF 1