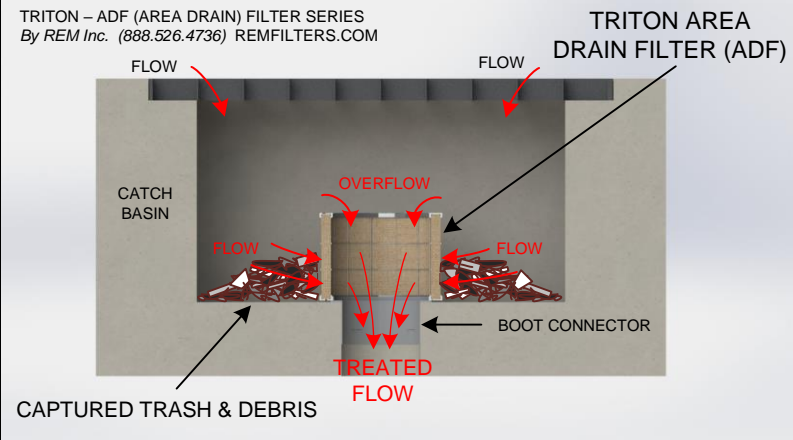


# REM's TRITON – ADF (AREA DRAIN FILTER) Series

REM designed the TRITON - ADF Filter to provide an adaptable solution that allows the flexibility to maximize the filter treatment flow rates and pollutant capturing capacity in small area drains. TRITON - ADF Filters may be utilized in new construction or retrofitted in existing catch basin structures. Most commonly used in food courts, patios, garages and walkways. They are sized to spec and scalable for all different lengths and applications. Filter Cartridges may be easily removed when servicing. Media strategy may also be optimized for specific pollutant concerns.

TRITON – ADF (AREA DRAIN) FILTER SERIES  
By REM Inc. (888.526.4736) REMFILTERS.COM



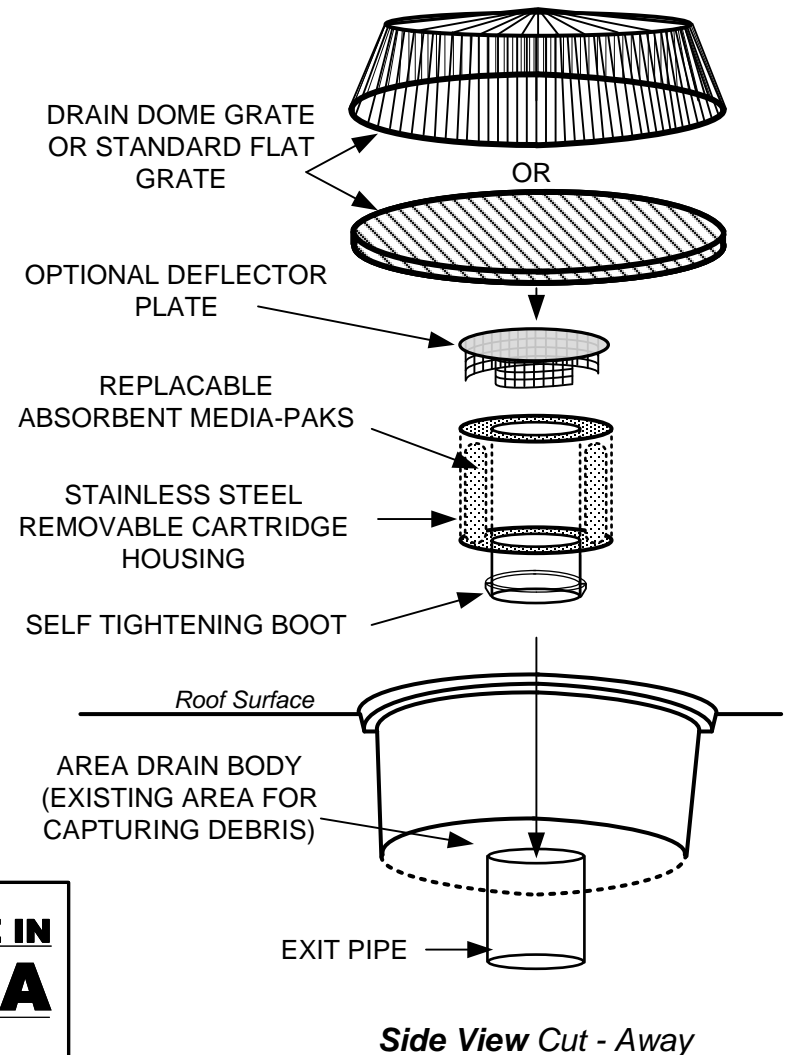
REM Model ADF-10

## Notes:

- TRITON ADF Series are designed to be used universally in all different types of catch basins available today.
- ADF cartridge tops are constructed utilizing over **80% recycled** ABS Plastic.
- ADF housings are constructed utilizing Type 304 Stainless Steel, with 2" X 2" welded square openings.
- The ADF Filter Inserts can be made in different heights depending upon the application. Taller filters will capture larger amounts of debris.
- REM TRITON replacement Filter Media Packs are charged with REM FOG media an expanded volcanic ash medium treated to be highly hydrophobic housed in a durable geo-textile perforated polypropylene woven fabric. REM FOG media effectively encapsulates liquefied petroleum hydrocarbons (Fats, Oils & Grease including animal fats). The media's hydrophobic characteristic allows for greater polishing of flow resulting in the reduction of Total Suspended Solids (TSS). Suspended solid reduction includes but is not limited to debris, trash, silt sediment and agglomerated heavy metals. (Additional media options are available including mixed blends of granulated carbon [AC] and Zeolite [ZEO].)
- Filter designs include a high flow overflow bypass to eliminate pooling or flooding during heavy rain events.
- REM TRITON filter cartridges are removable for ease of cleaning and maintenance.
- Media Pak's are constructed from durable geo-textile polypropylene fabric.
- See our Specifier Sheet for sizes, models and flow rate information.
- Maintenance information and replacement REM Media Packs are available upon request by contacting REM at sales@remfilters.com or (888) 526-4736.
- Made in the USA.

## TRITON – AREA DRAIN FILTER SERIES

By REM Inc. (888.526.4736)



**MADE IN  
USA**

THE DESIGN AND DETAIL OF THIS DRAWING IS THE PROPERTY OF REM INC. AND IS NOT TO BE USED EXCEPT IN CONNECTION WITH OUR WORK, DESIGN AND INVENTION RIGHTS ARE RESERVED.

U.S. Patent Pending

PH: (888) 526-4736

DIMENSIONS ARE IN INCHES UNLESS OTHERWISE NOTED.

**REM Inc.**

**TRITON ADF FILTER SERIES**  
(Area Drain Filter)

DRAWN BY:

C.F.

FOR:

Small area drain filtering

REV

DATE: 2/3/2013

SHEET

1 OF 1