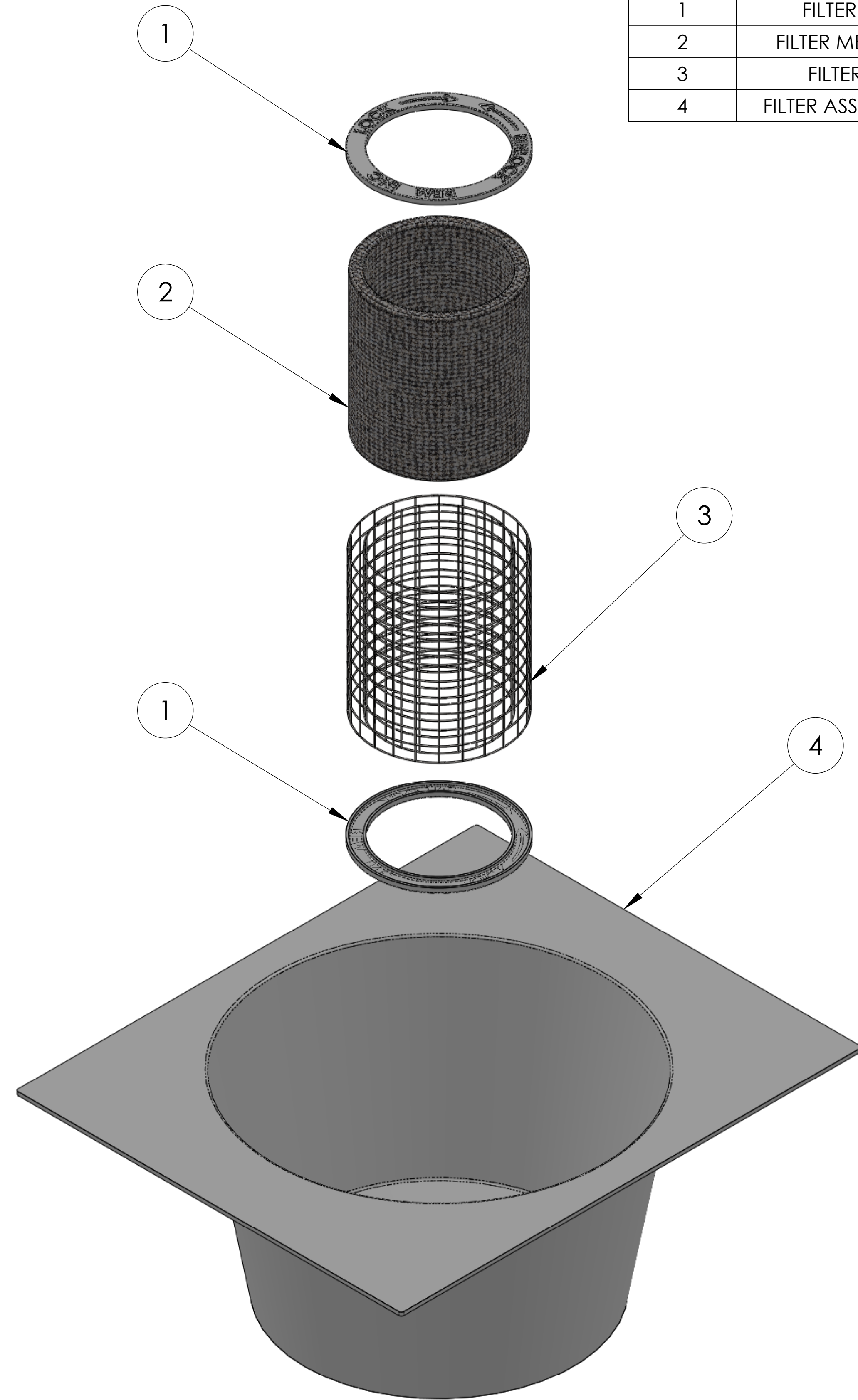
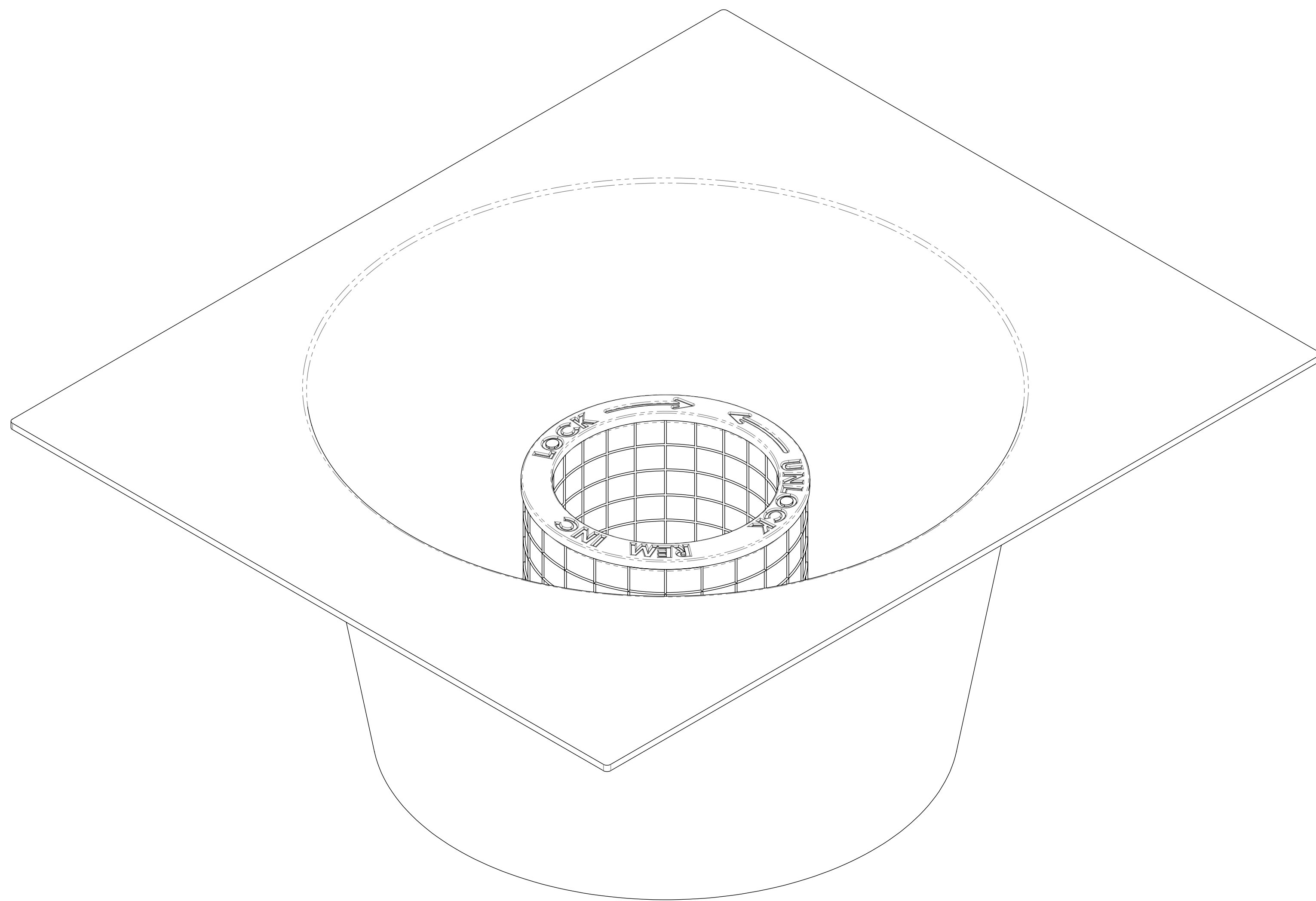


- All dimensions are in inches, unless otherwise noted.
- The TRITON - TR Series Drop Inlet Filters can be sized to fit most industry standard catch basins. REM also designs custom filters for unique storm water infrastructures and applications.
- Filter bodies are constructed using 100% recycled High Molecular Weight Polyethylene Plastic (HMWPE) with added U.V. inhibitors.
- Filter cartridge housings are constructed utilizing Type 304 13ga. Stainless Steel, with 2" welded square openings.
- Removable cartridge tops are constructed utilizing over 90% recycled ABS Plastic with added U.V. inhibitors.
- REM TRITON replacement Filter Media Packs are charged with REM FOG media an expanded volcanic ash medium treated to be highly hydrophobic housed in a durable geo-textile perforated polypropylene woven fabric. REM FOG media effectively encapsulates liquefied petroleum hydrocarbons (Fats, Oils & Grease including animal fats). The media's hydrophobic characteristic allows for greater polishing of flow resulting in the reduction of Total Suspended Solids (TSS). Suspended solid reduction includes but is not limited to debris, trash, silt sediment and agglomerated heavy metals. (Additional media options are available including mixed blends of granulated carbon [AC] and Zeolite [ZEO]). For trash/debris capturing only, PERF - Stainless Steel Screen or Bioflex Media (BFTG) should be chosen.
- REM TRITON filter cartridges are removable for ease of cleaning and maintenance.
- The TRITON filter design requires water flows to filter through media, preventing low flow bypass.
- Filter designs include a high flow overflow bypass to eliminate pooling or flooding during heavy rain events.
- See REM Specifier Sheets for size, model and flow rate information.
- REM TRITON filters shall be installed and maintained in accordance with manufacturer recommendations.
- Maintenance information and replacement REM Media Packs are available upon request by contacting REM at sales@remfilters.com or (888) 526-4736.
- U.S. Patent Number: 6,217,757 B1
- Made in the USA.



ITEM NO.	DESCRIPTION	QTY.
1	FILTER COVER	2
2	FILTER MEDIA PACK	1
3	FILTER CAGE	1
4	FILTER ASSEMBLY BASE	1

PROPRIETARY AND CONFIDENTIAL
 THE INFORMATION CONTAINED IN THIS DRAWING IS THE SOLE PROPERTY OF REM. ANY REPRODUCTION IN PART OR AS A WHOLE WITHOUT THE WRITTEN PERMISSION OF REM IS PROHIBITED.

UNLESS OTHERWISE SPECIFIED:		NAME	DATE
DIMENSIONS ARE IN INCHES		A.C.	2/25/14
TOLERANCES:		CHECKED	
FRACTIONAL ±		ENG APPR:	
ANGULAR: MATCH ±		MFG APPR:	
BEND ±		G.A.	
ONE PLACE DECIMAL ± 0.2		COMMENTS:	
TWO PLACE DECIMAL ± 0.1			
INTERPRET ALL GEOMETRIC TOLERANCING PER: AS10.00			
MATERIAL:			
NEXT ASSY	USED ON	FINISH	
APPLICATION			

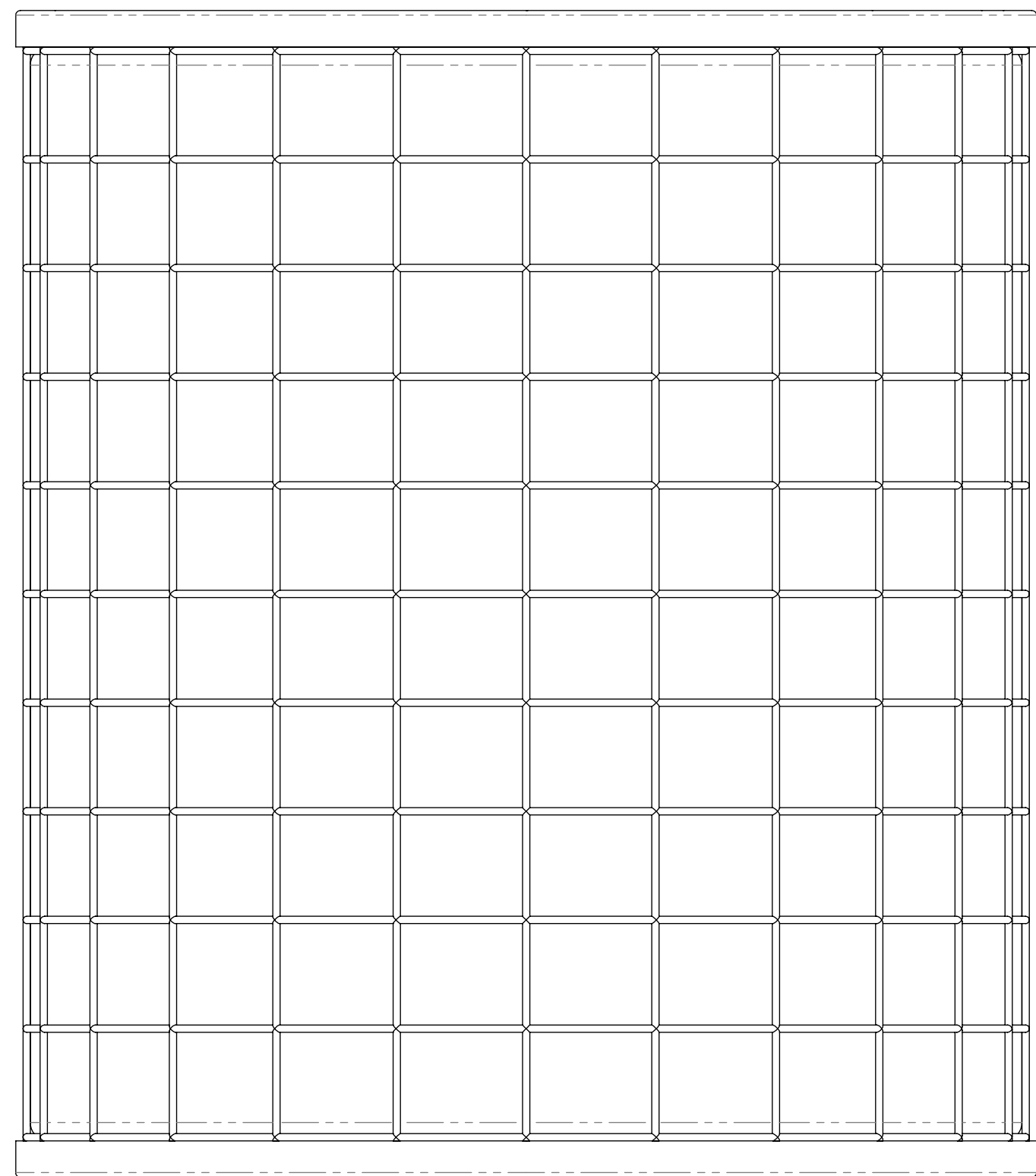
Revel Environmental Manufacturing Inc.
 2110 South Grand Avenue
 Orange, California 92668
 P: (821) 575-4736
 F: (821) 575-4736

REM
 www.remfilters.com

TITLE:
 DROP INLET FILTER


SIZE: DWG. NO. **01-005** REV **A**

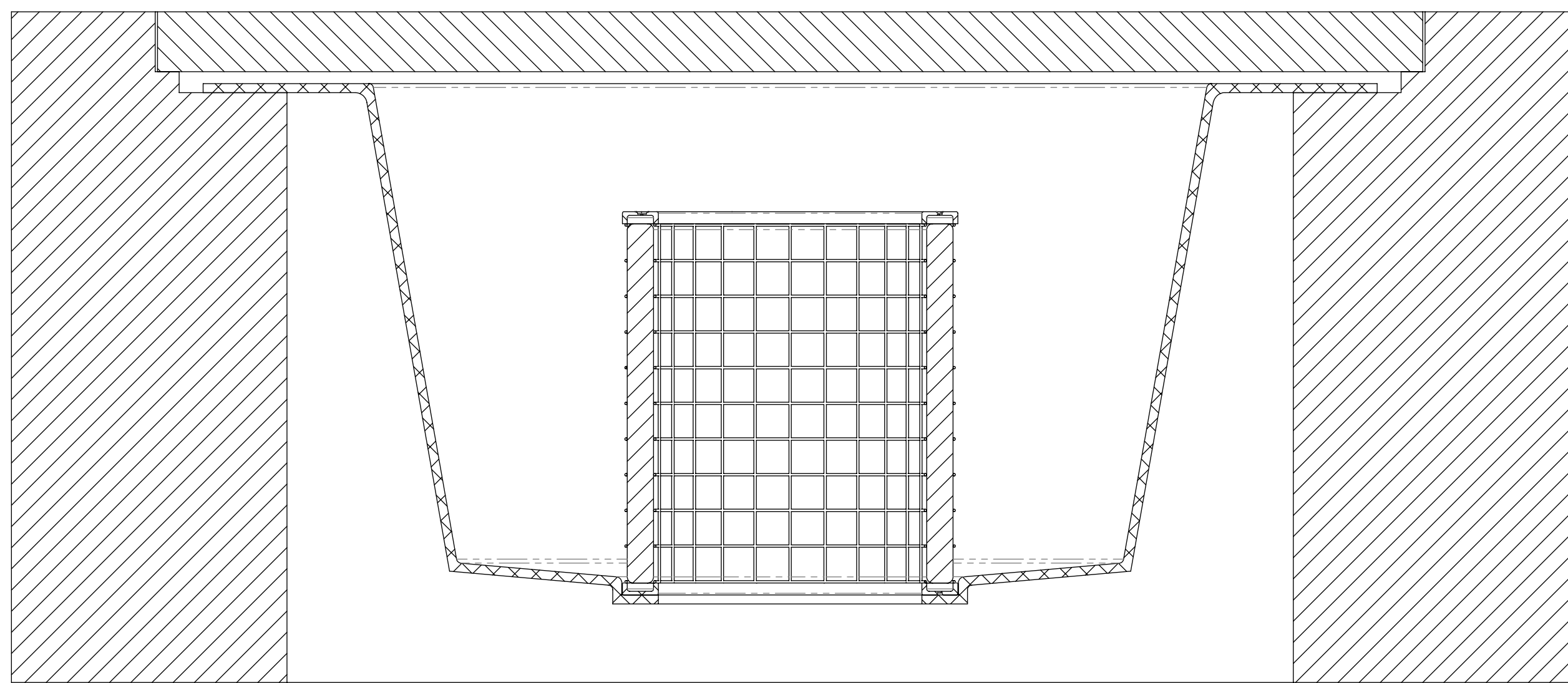
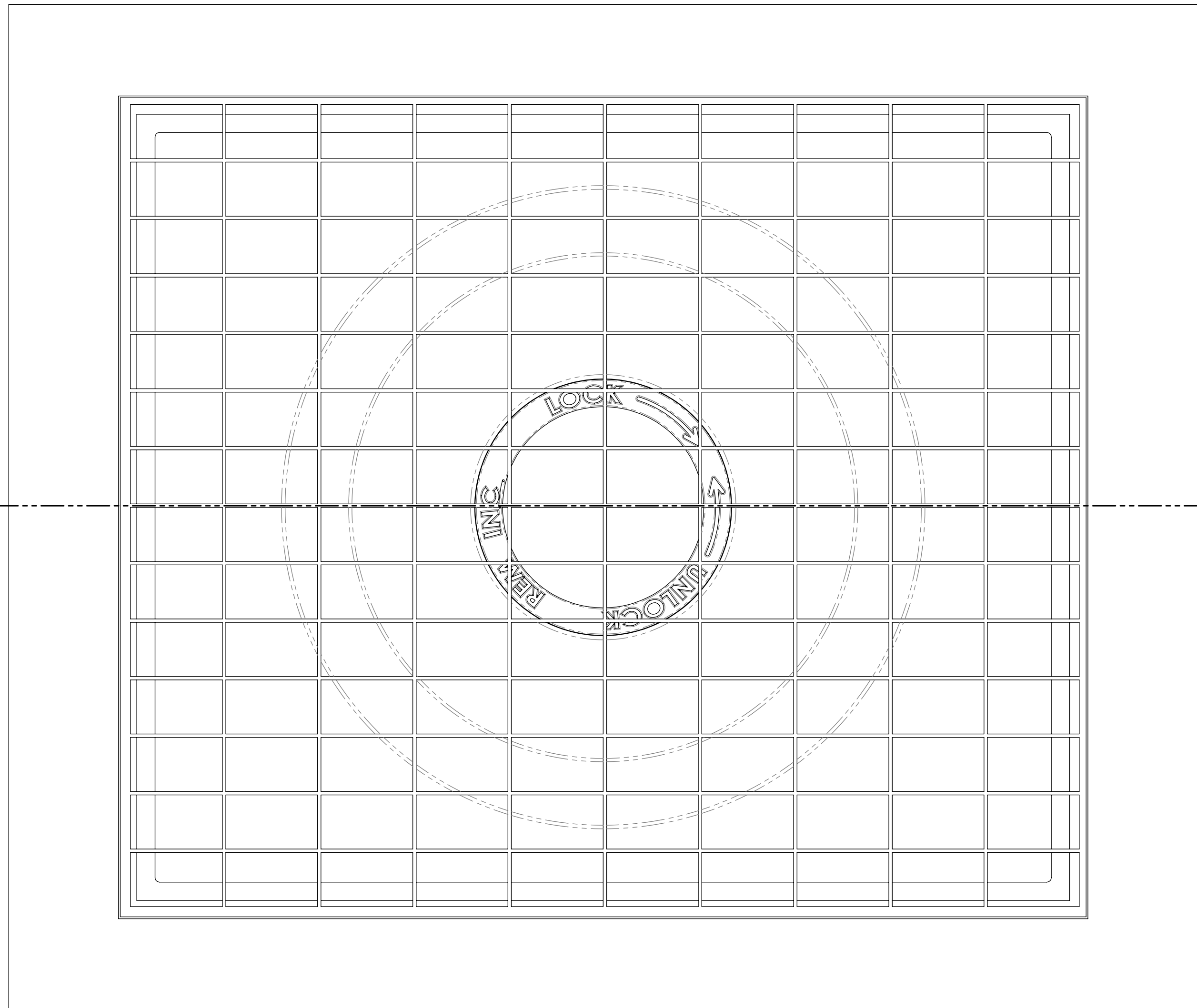
SCALE: 1:4 **WEIGHT:** SHEET 1 OF 4



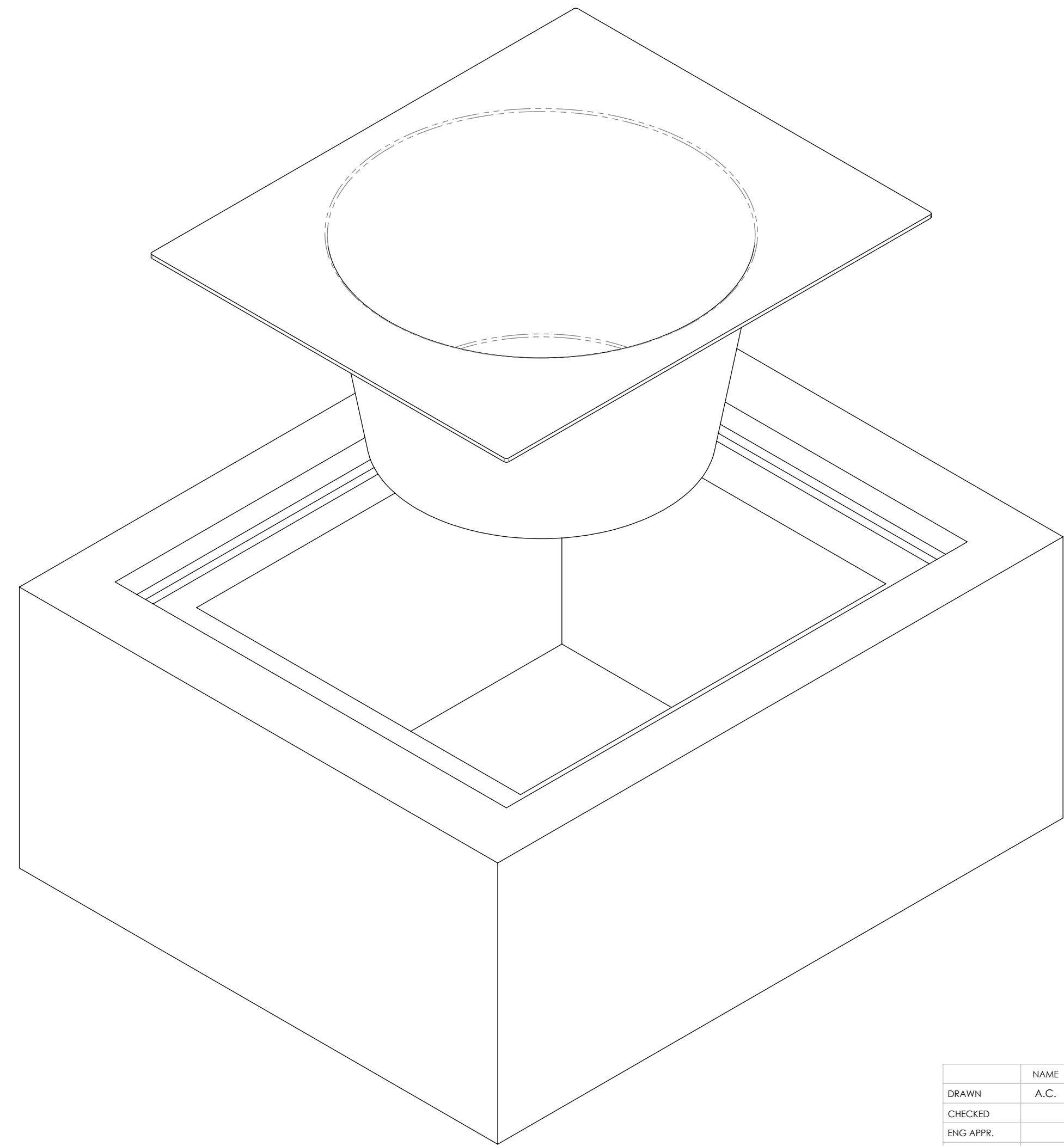
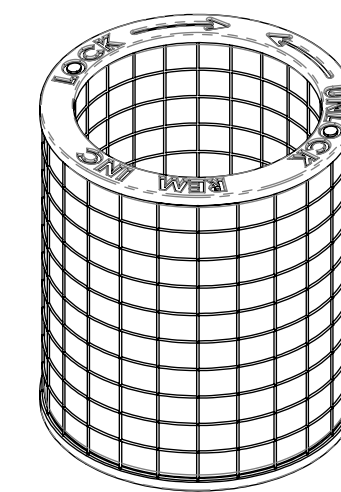
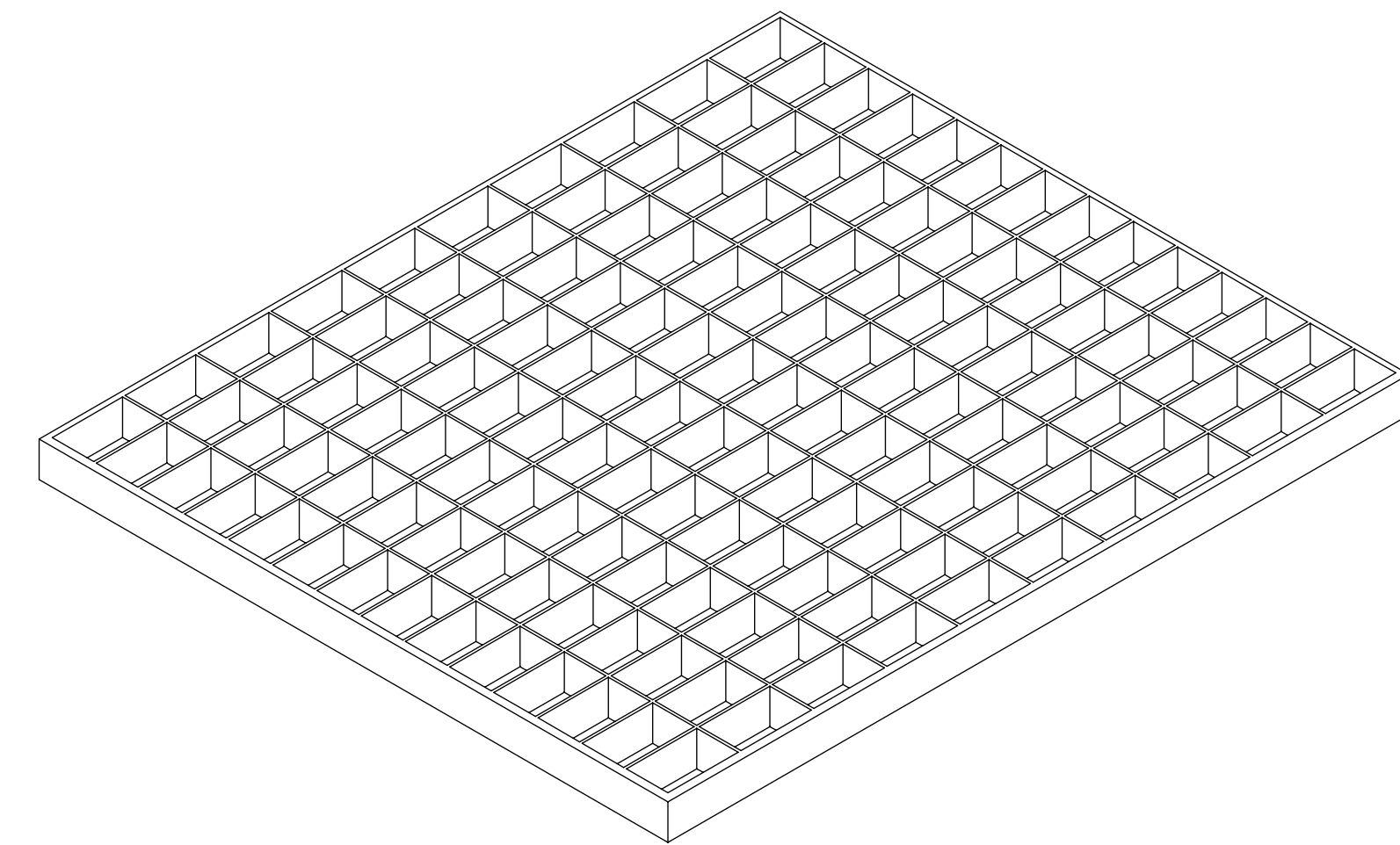
SPECIFIER CHART TRITON DROP INLET FILTERS	INLET INSIDE DIMENSION (ID) Of Catch Basin (inch x inch)
MODEL:	
TR12RD Configured with:	12" Dia. RD
Cartridge: TR7-CART (4") § (Standard)	
Cartridge: TR7-CART (8")	
Cartridge: TR7-CART (16")	
TR1212 Configured with:	12" X 12"
Cartridge: TR7-CART (4) § (Standard)	
Cartridge: TR7-CART (8)	
Cartridge: TR7-CART (16)	
TR16RD Configured with:	16" Dia. RD
Cartridge: TR7-CART (4) (Shallow)	
Cartridge: TR7-CART (8) § (Standard)	
Cartridge: TR7-CART (16) (Deep)	
TR1616 Configured with:	16" X 16"
Cartridge: TR7-CART (4)	
Cartridge: TR7-CART (8) § (Standard)	
Cartridge: TR7-CART (16)	
TR18RD Configured with:	18" Dia. RD
Cartridge: TR10-CART (4)	
Cartridge: TR10-CART (8) § (Standard)	
Cartridge: TR10-CART (16)	
TR1818 Configured with:	18" X 18"
Cartridge: TR10-CART (4)	
Cartridge: TR10-CART (8) § (Standard)	
Cartridge: TR10-CART (16)	
TR1824 Configured with:	18" X 24"
Cartridge: TR10-CART (8) § (Standard)	
Cartridge: TR10-CART (16)	
Cartridge: TR10-CART (32)	
TR2024 Configured with:	20" X 24"
Cartridge: TR10-CART (8) § (Standard)	
Cartridge: TR10-CART (16)	
Cartridge: TR10-CART (32)	
TR2424 Configured with:	24" X 24"
Cartridge: TR14-CART (8) § (Standard)	
Cartridge: TR14-CART (16)	
Cartridge: TR14-CART (32)	
TR24RD Configured with:	24" Dia. RD
Cartridge: TR14-CART (8) § (Standard)	
Cartridge: TR14-CART (16)	
Cartridge: TR14-CART (32)	
TR2436 Configured with:	24" X 36"
Cartridge: TR10-CART (8) (Qty 2) § (Standard)	
Cartridge: TR10-CART (16) (Qty 2)	
Cartridge: TR10-CART (32) (Qty 2)	
TR30RD Configured with:	30" Dia. RD
Cartridge: TR14-CART (8)	
Cartridge: TR14-CART (16) § (Standard)	
Cartridge: TR14-CART (32)	
TR3030 Configured with:	30" X 30"
Cartridge: TR14-CART (8)	
Cartridge: TR14-CART (16) § (Standard)	
Cartridge: TR14-CART (32)	
TR2448 Configured with:	24" X 48"
Cartridge: TR14-CART (8) (Qty 2) § (Standard)	
Cartridge: TR14-CART (16) (Qty 2)	
Cartridge: TR14-CART (32) (Qty 2)	
TR3636 Configured with:	36" X 36"
Cartridge: TR14-CART (8)	
Cartridge: TR14-CART (16) § (Standard)	
Cartridge: TR14-CART (32)	
TR36RD Configured with:	36" Dia. RD
Cartridge: TR14-CART (8)	
Cartridge: TR14-CART (16) § (Standard)	
Cartridge: TR14-CART (32)	
TR42RD Configured with:	42" Dia. RD
Cartridge: TR14-CART (8)	
Cartridge: TR14-CART (16) § (Standard)	
Cartridge: TR14-CART (32)	
TR4848 Configured with:	48" X 48"
Cartridge: TR24-CART (8)	
Cartridge: TR24-CART (17) § (Standard)	
Cartridge: TR24-CART (34)	
TR48RD Configured with:	48" Dia. RD
Cartridge: TR24-CART (8)	
Cartridge: TR24-CART (17) § (Standard)	
Cartridge: TR24-CART (34)	




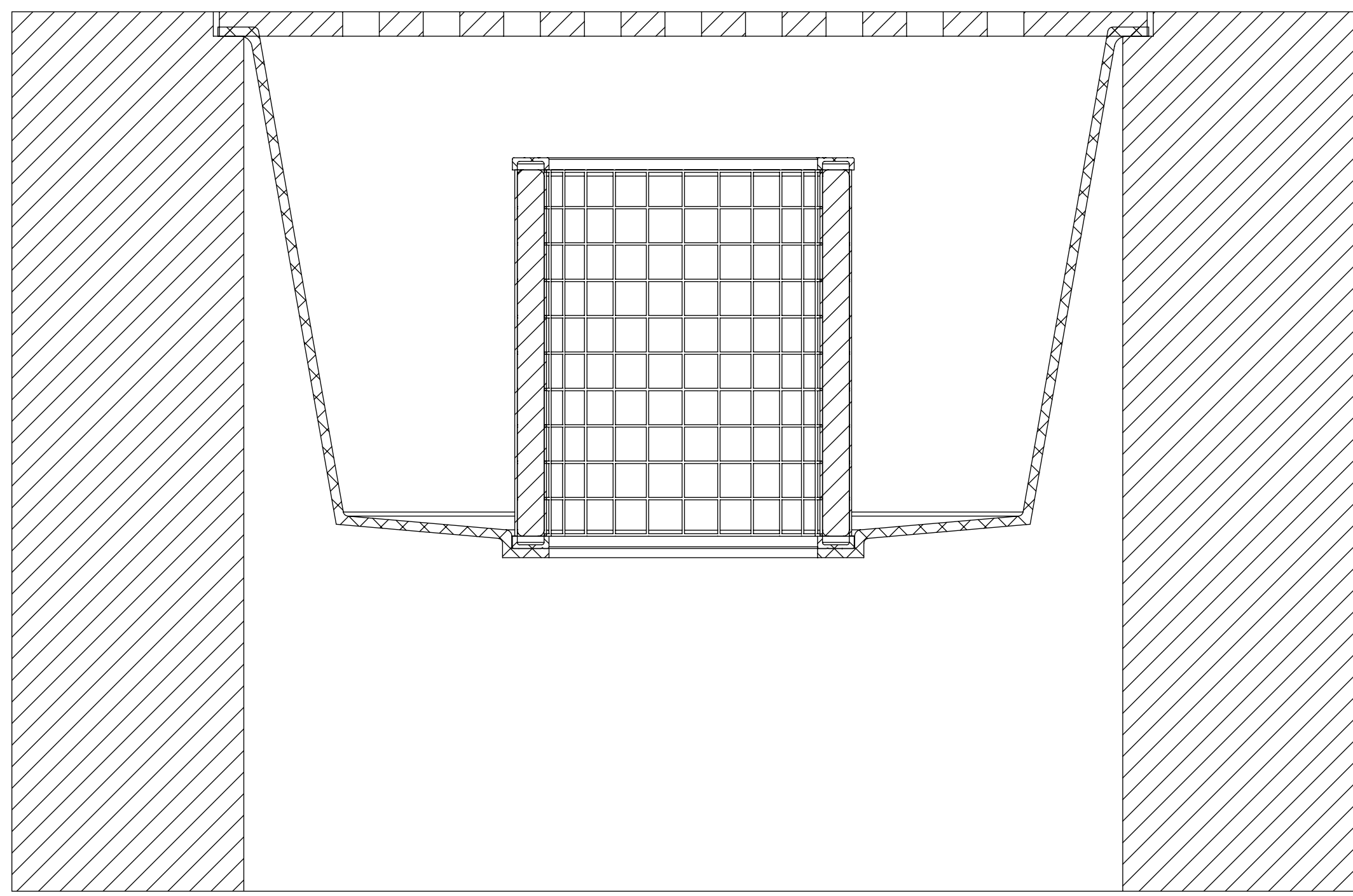
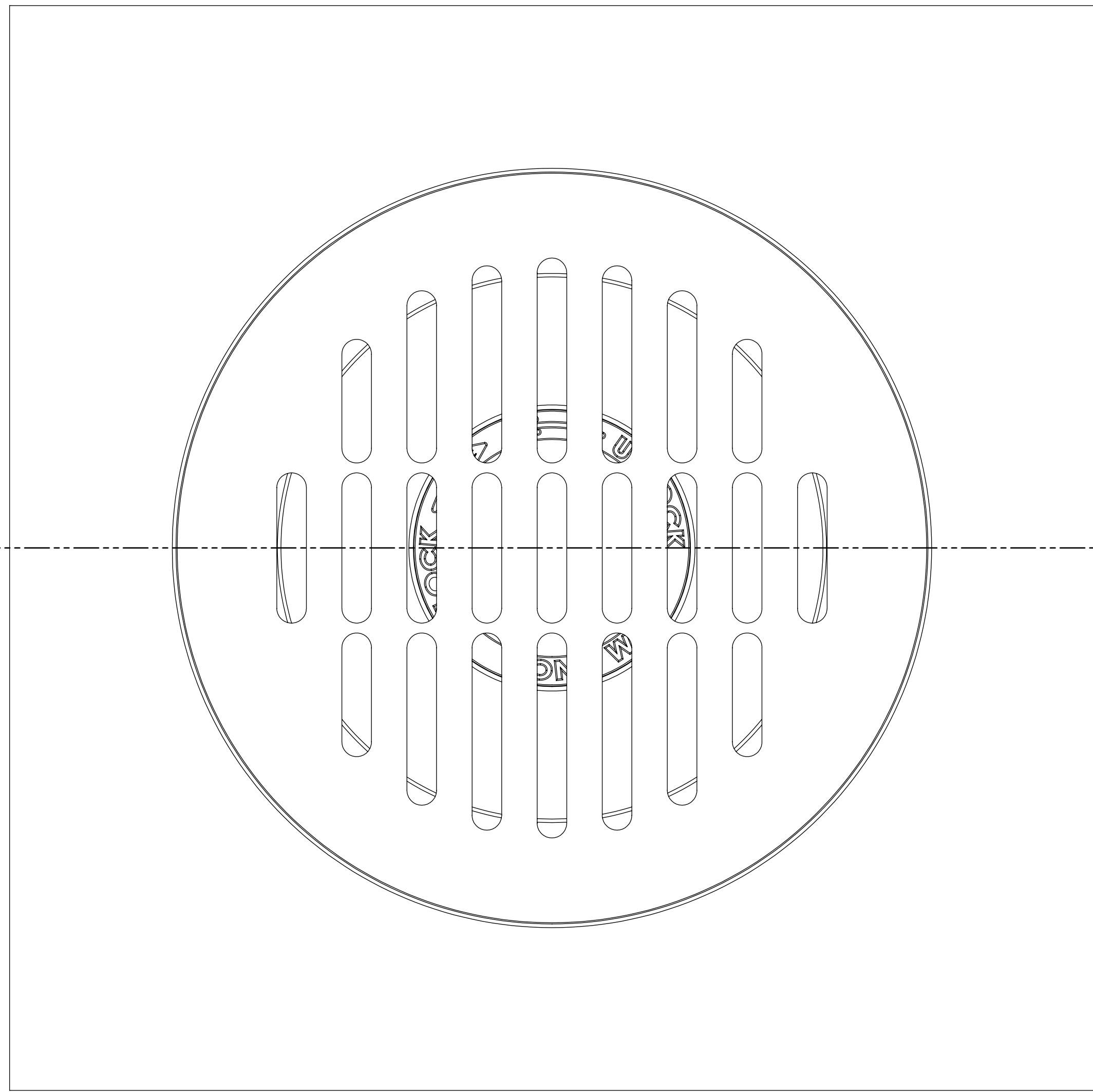
DRAWN	NAME	DATE	 Revel Environmental Manufacturing Inc. <small>11000 S. 25th St. Suite 100, San Diego, CA 92108 619-594-2300 Fax: 619-594-2301</small>
CHECKED	A.C.	2/25/14	
ENG APPR.			
MFG APPR.			
G.A.			
COMMENTS:			TITLE: DROP INLET FILTER SIZE DWG. NO. D 01-005 REV A SCALE: 1:2 WEIGHT: SHEET 2 OF 4



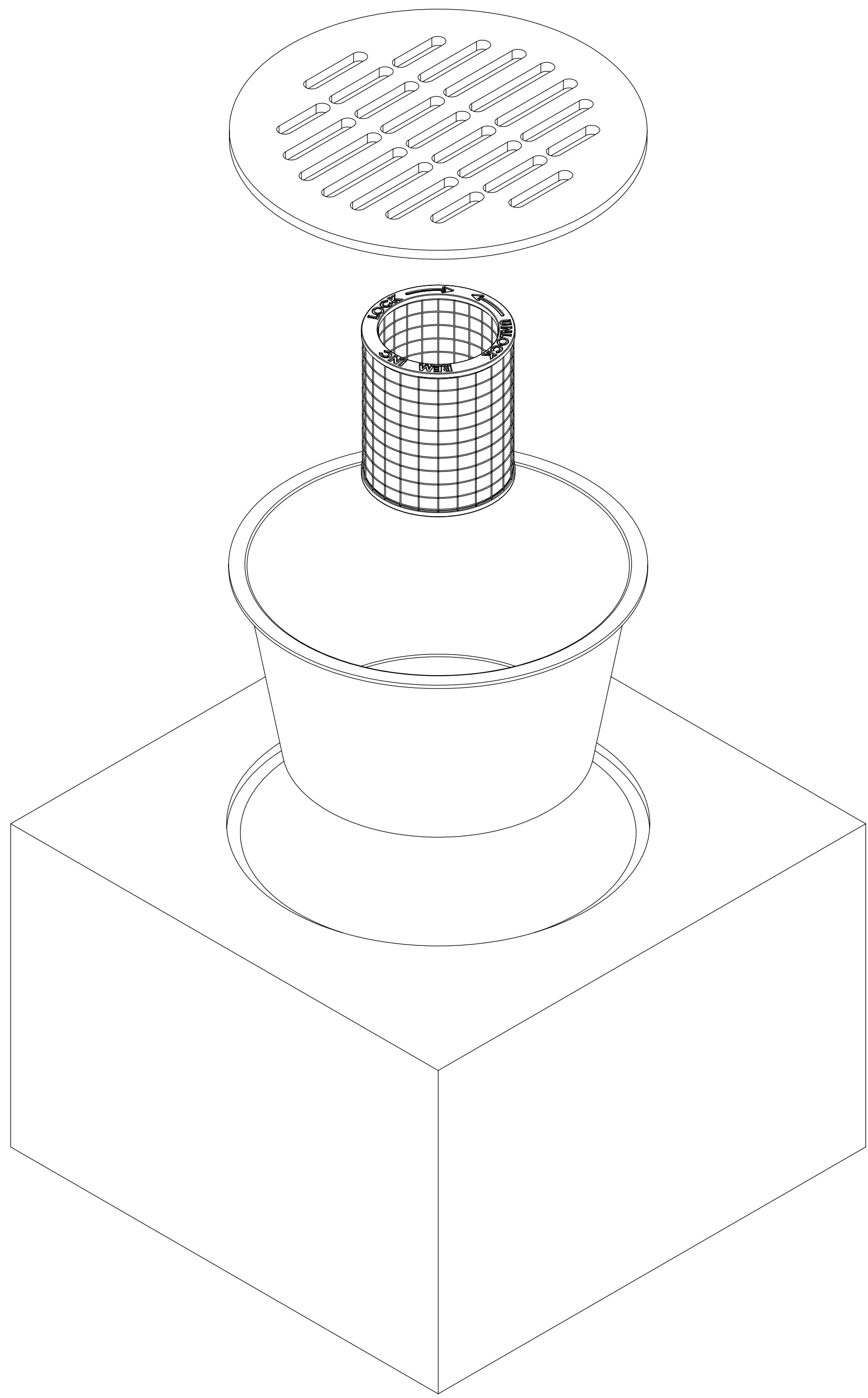
SECTION A-A




DRAWN	NAME	DATE	 Revel Environmental Manufacturing Inc. <small>15000 S. 15th St., Suite 100, Tukwila, WA 98148</small>	
CHECKED	A.C.	2/6/14	<small>Stacy Clatter</small> <small>15000 S. 15th St., Suite 100, Tukwila, WA 98148</small>	<small>Suzanna Collins</small> <small>15000 S. 15th St., Suite 100, Tukwila, WA 98148</small>
ENG APPR.				
MFG APPR.				
G.A.				
COMMENTS:				
		TITLE: DROP INLET FILTER		REV A
		SIZE D	DWG. NO. 01-005	SCALE: 1:15
		WEIGHT:		SHEET 3 OF 4



SECTION B-B



DRAWN	NAME	DATE	 Revel Environmental Manufacturing Inc. <small>1985-2014</small> Newton, MA 02459 781-552-1735 781-552-1736 781-552-1737
CHECKED	A.C.	2/25/14	
ENG APPR.			
MFG APPR.			
G.A.			
COMMENTS:			TITLE: DROP INLET FILTER
SIZE DWG. NO.		REV	
D 01-005		A	
SCALE: 1:5 WEIGHT:		SHEET 4 OF 4	