

Sizing Guide for Square Drop Inlet Catch Basins

REM Inc.

CATCH BASIN SIZING GUIDE

(Designed to help determine what size filters are required for each catch basin on site)

For Curb Inlets or other questions please call (888) 526-4736.

Once you have sized your drains you may either fax or email back your measurements to:

Fax: (925) 676-8676
Or
Email: Sales@remfilters.com

Customer: _____ Contact: _____

Ph: (____) _____ Fax: (____) _____

Project/Tract#: _____

Location: _____ Page _____ of _____

Drain #	Quantity	Catch Basin I.D.				Grate Dimensions			
		A	B	C	D	E	F	G	H

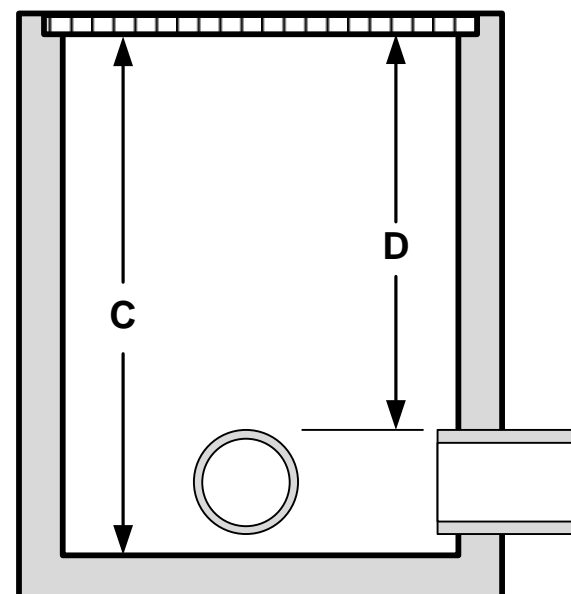
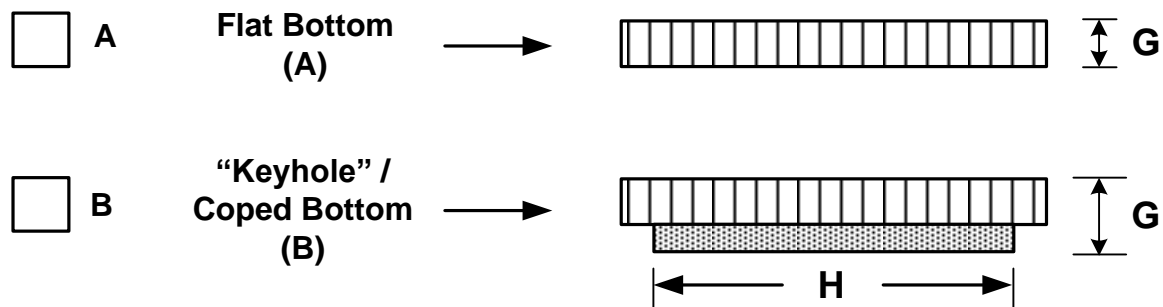
NOTES:

1. Please fill in all dimensions that apply within 1/8".
2. Please mark or draw in the location of any obstructions such as pipes, ladder rungs, etc.
3. Dimensions A & B are the clear openings or (inside throat) of the catch basin or the grate frame, whichever is less.
4. Dimension C is measured from the bottom of the grate to the bottom of the catch basin.
5. Dimension D is measured from the bottom of the grate to the top of the outlet pipe.

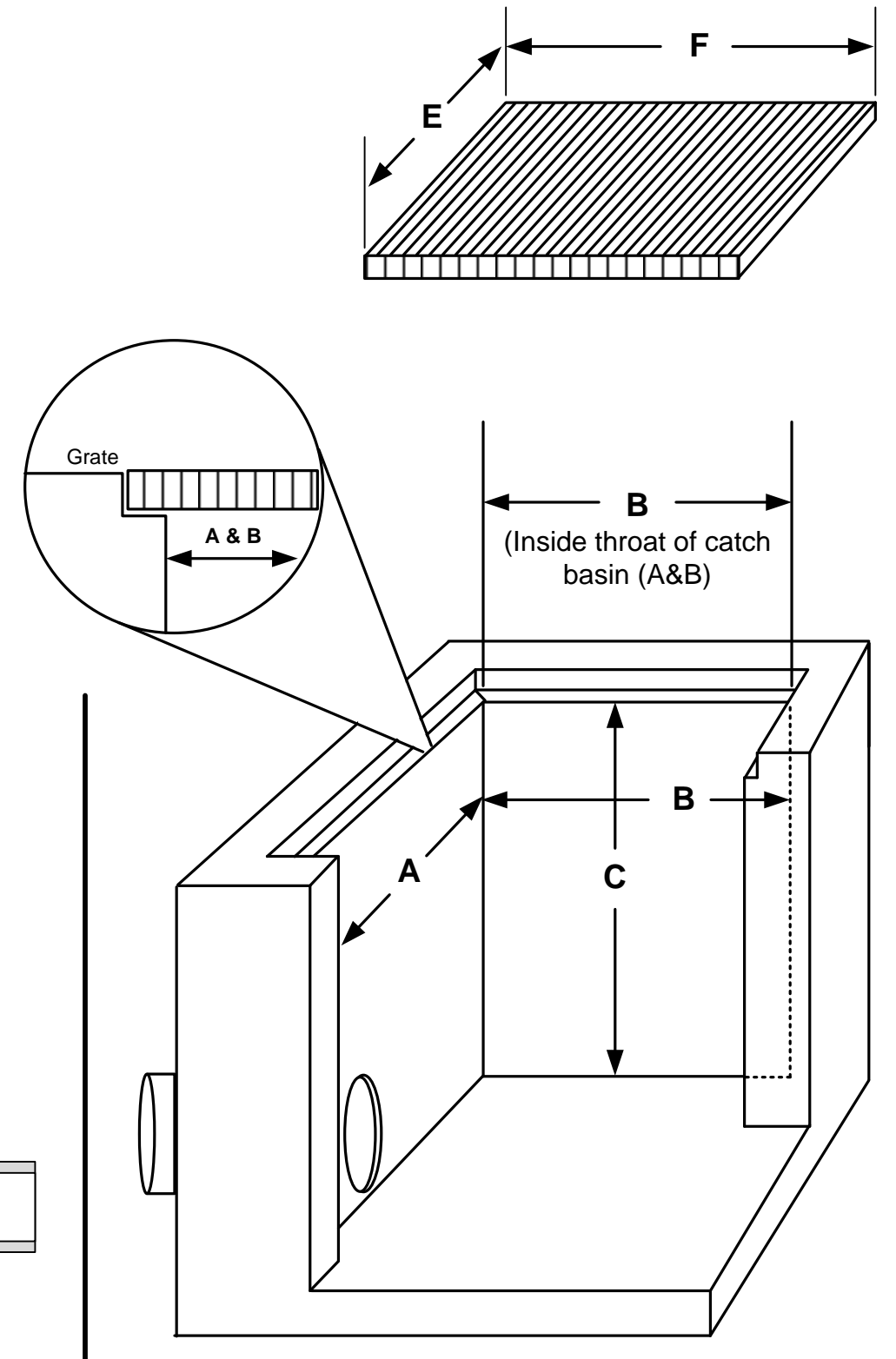
COMMENTS:

G & H – Dimensions:

Grate Type, Mark one.



Side View



Sizing Guide for Round Drop Inlet Catch Basins

REM Inc.

CATCH BASIN SIZING GUIDE

(Designed to help determine what size filters are required for each catch basin on site)

For Curb Inlets or other questions please call (888) 526-4736.

Once you have sized your drains you may either fax or email back your measurements to:

Fax: (925) 676-8676
Or
Email: Sales@remfilters.com

Customer: _____ Contact: _____

Ph: (____) _____ Fax: (____) _____

Project/Tract#: _____

Location: _____ Page _____ of _____

Drain #	Quantity	Catch Basin I.D.				Grate Dimensions			
		A	B	C	D	E	F	G	H
			N/A				N/A		
			N/A				N/A		
			N/A				N/A		
			N/A				N/A		
			N/A				N/A		
			N/A				N/A		

NOTES:

1. Please fill in all dimensions that apply within 1/8".
2. Please mark or draw in the location of any obstructions such as pipes, ladder rungs, etc.
3. Dimensions A is the clear openings or (inside throat) of the catch basin or grate frame, whichever is less.
4. Dimension C is measured from the bottom of the grate to the bottom of the catch basin.
5. Dimension D is measured from the bottom of the grate to the top of the outlet pipe.

COMMENTS:

G & H – Dimensions:

Grate Type, Mark one.

A Flat Bottom (A) → 

B "Keyhole" / Coped Bottom (B) → 