

Sizing Guide for Trench Drains

REM Inc.

TRENCH DRAIN SIZING GUIDE

(Designed to help determine what size filters are required for each catch basin on site)

For Curb, Drop Inlets or other questions please call (888) 526-4736.

Once you have sized your drains you may either fax or email back your measurements to:

Fax: (925) 676-8676

Or

Email: Sales@remfilters.com

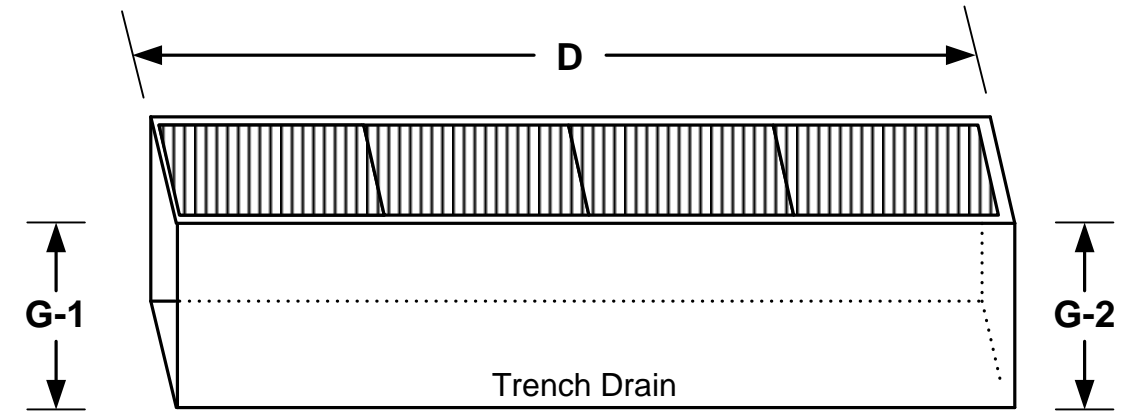
Customer: _____ Contact: _____

Ph: (____) _____ Fax: (____) _____

Project/Tract#: _____

Location: _____ Page _____ of _____

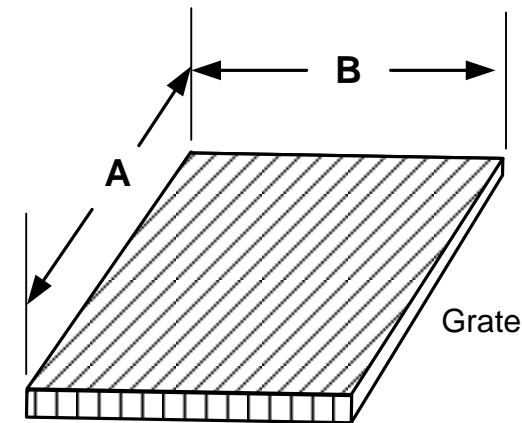
Drain #	Quantity	Grate Dimensions				Trench Drain I.D.			
		A	B	E	F	C	D	G-1	G-2



NOTES:

1. Please fill in all dimensions that apply within 1/8".
2. Please mark or draw in the location of the exit pipes for drain and any obstructions within drain.
3. Dimensions C & D are the clear openings (or inside throat) of the trench drain.
4. Dimension G is measured from the bottom of the grate to the bottom of the trench drain.
Most trench drains have a slope to them, G-1 is at one end and G-2 is at the other for each drain.

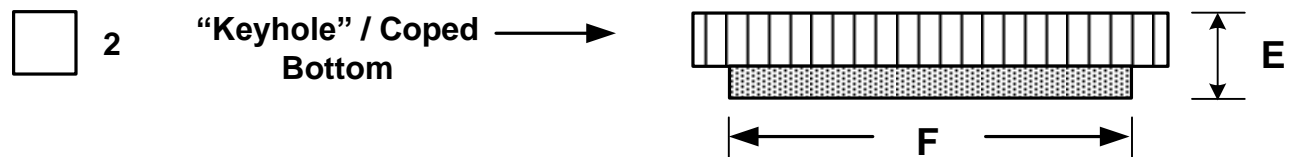
COMMENTS:



Most Trench drain grates will come in multiple section due to their lengths.

E & F – Dimensions:

Grate Type, Mark one.



Some smaller trench drains may have curved bottoms. Please mark the box below if this is the type of trench drain that you have.

YES

NO

