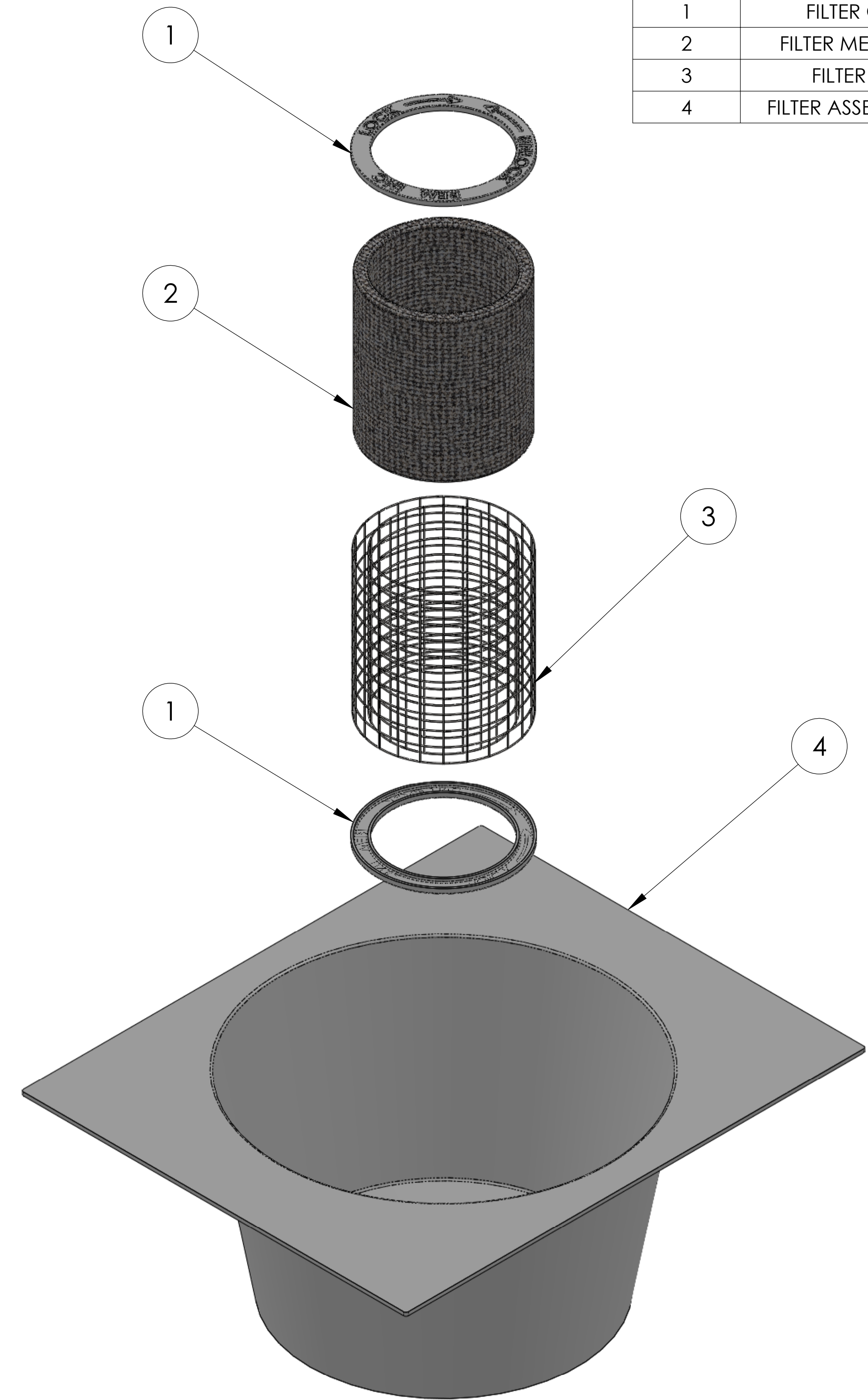
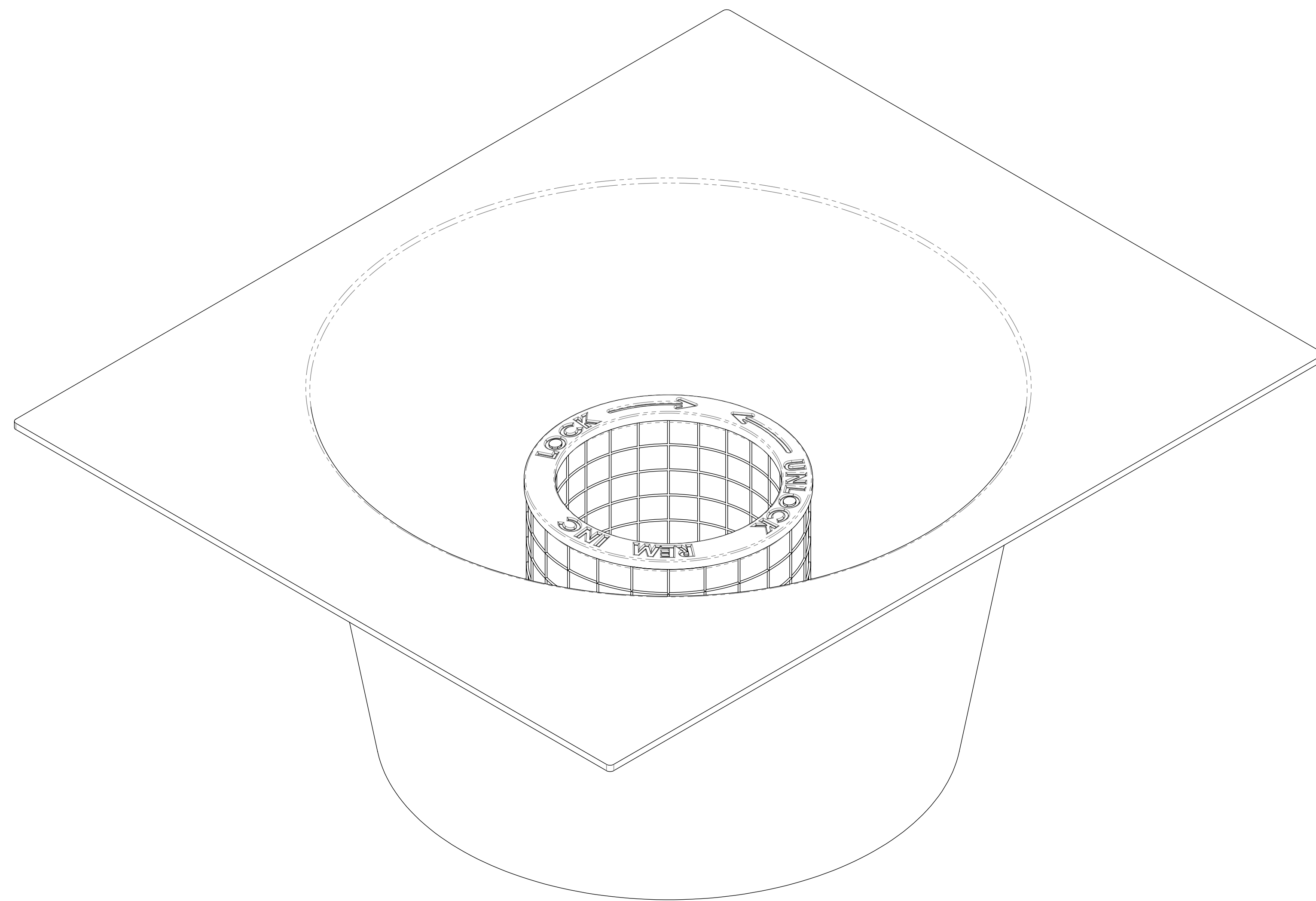


- All dimensions are in inches, unless otherwise noted.
- The TRITON - TR Series Drop Inlet Filters can be sized to fit most industry standard catch basins. REM also designs custom filters for unique storm water infrastructures and applications.
- Filter bodies are constructed using 100% recycled High Molecular Weight Polyethylene Plastic (HMWPE) with added U.V. inhibitors.
- Filter cartridge housings are constructed utilizing Type 304 13ga Stainless Steel, with 2" welded square openings.
- Removable cartridge tops and bottoms are constructed utilizing over 90% recycled ABS Plastic with added U.V. inhibitors.
- Filter Cartridge Screen utilizes 22ga., Type 304 Stainless Steel Perforation. Perforated Stainless Steel is configured with a 4.8mm openings, having 51% Open Area for excellent flow rates comparative to its size. Media strategy may also be optimized to address other specific pollutant of concerns beyond just trash capture.. Such as REM's FOG media, which can effectively encapsulates liquefied petroleum hydrocarbons (Fats, Oils & Grease including animal fats). The media's hydrophobic characteristic allows for greater polishing of flow resulting in the reduction of Total Suspended Solids (TSS). Suspended solid reduction includes but is not limited to debris, trash, silt sediment and agglomerated heavy metals. (Additional media options are available including mixed blends of granulated carbon [AC], and Zeolite [ZEO].)
- REM TRITON filter cartridges are easily removable for ease of cleaning and maintenance.
- The TRITON filter design requires water flows to filter through media, preventing low flow bypass.
- Filter designs include a high flow overflow bypass to eliminate pooling or flooding during heavy rain events.
- See REM Specifier Sheets for size, model and flow rate information.
- REM TRITON filters shall be installed and maintained in accordance with manufacturer recommendations.
- Maintenance information and replacement REM Media Packs are available upon request by contacting REM at sales@remfilters.com or (888) 526-4736.
- U.S. Patent Number: 6,217,757 B1
- Made in the USA.

ITEM NO.	DESCRIPTION	QTY.
1	FILTER COVER	2
2	FILTER MEDIA PACK	1
3	FILTER CAGE	1
4	FILTER ASSEMBLY BASE	1



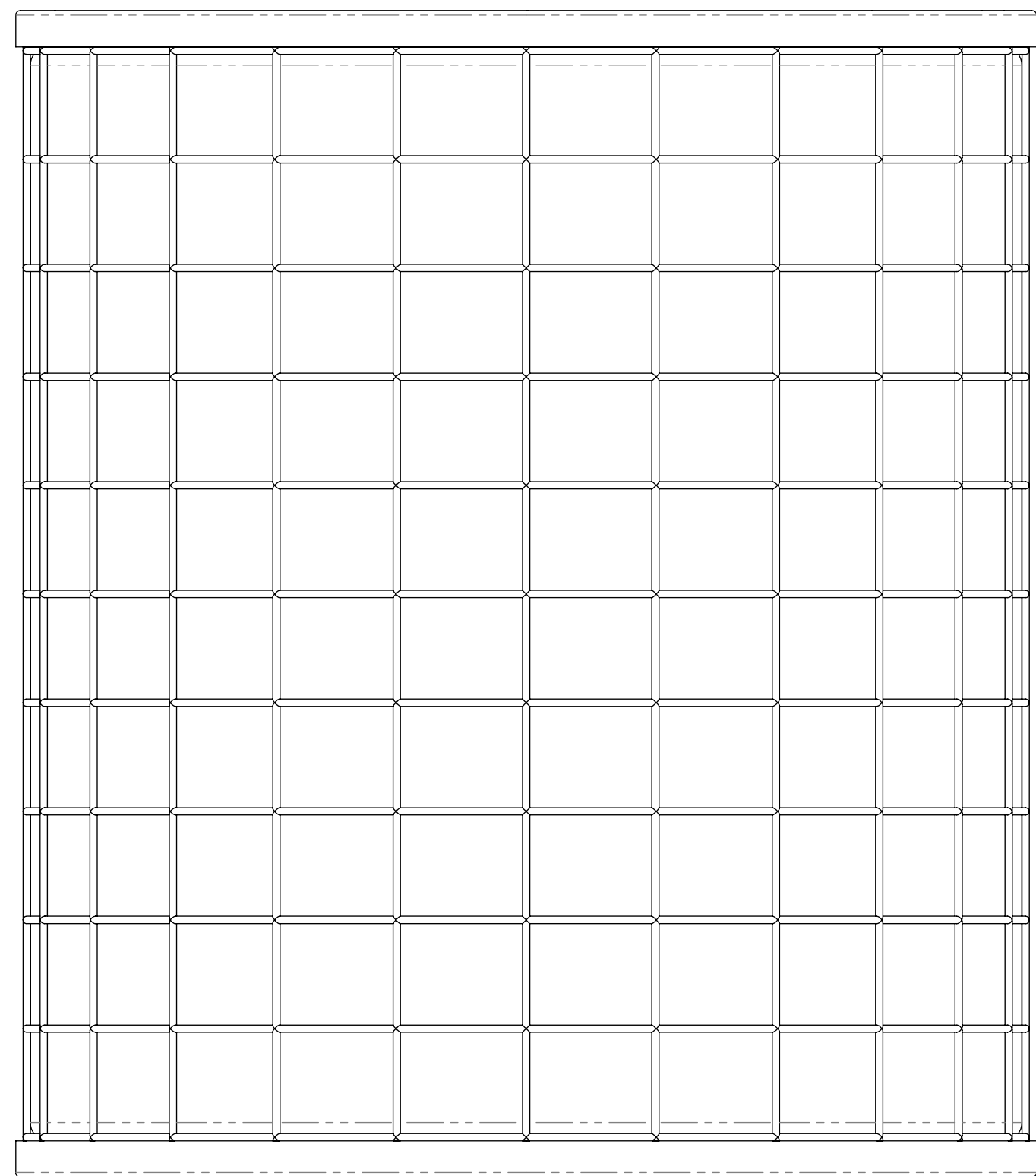
PROPRIETARY AND CONFIDENTIAL
 THE INFORMATION CONTAINED IN THIS DRAWING IS THE SOLE PROPERTY OF REM. ANY REPRODUCTION IN PART OR AS A WHOLE WITHOUT THE WRITTEN PERMISSION OF REM IS PROHIBITED.

UNLESS OTHERWISE SPECIFIED: DIMENSIONS ARE IN INCHES TOLERANCES: FRACTIONAL ± ANGULAR: MATCH ± BEND ± ONE PLACE DECIMAL ± 0.2 TWO PLACE DECIMAL ± 0.1		DRAWN A.C.	NAME A.C.	DATE 2/25/14
INTERPRET ALL GEOMETRIC TOLERANCING PER: AS9100 MATERIAL		CHECKED	ENG APPR.	MFG APPR.
NEXT ASSY		USED ON	FINISH	COMMENTS
APPLICATION				

REVEL
Revel Environmental Manufacturing Inc.
2110 South Grand Avenue
 Covington, California 95918
 P: (924) 575-4736
 F: (924) 575-4823


REVEL
Revel Environmental Manufacturing Inc.
2110 South Grand Avenue
 Covington, California 95918
 P: (924) 575-4736
 F: (924) 575-4823

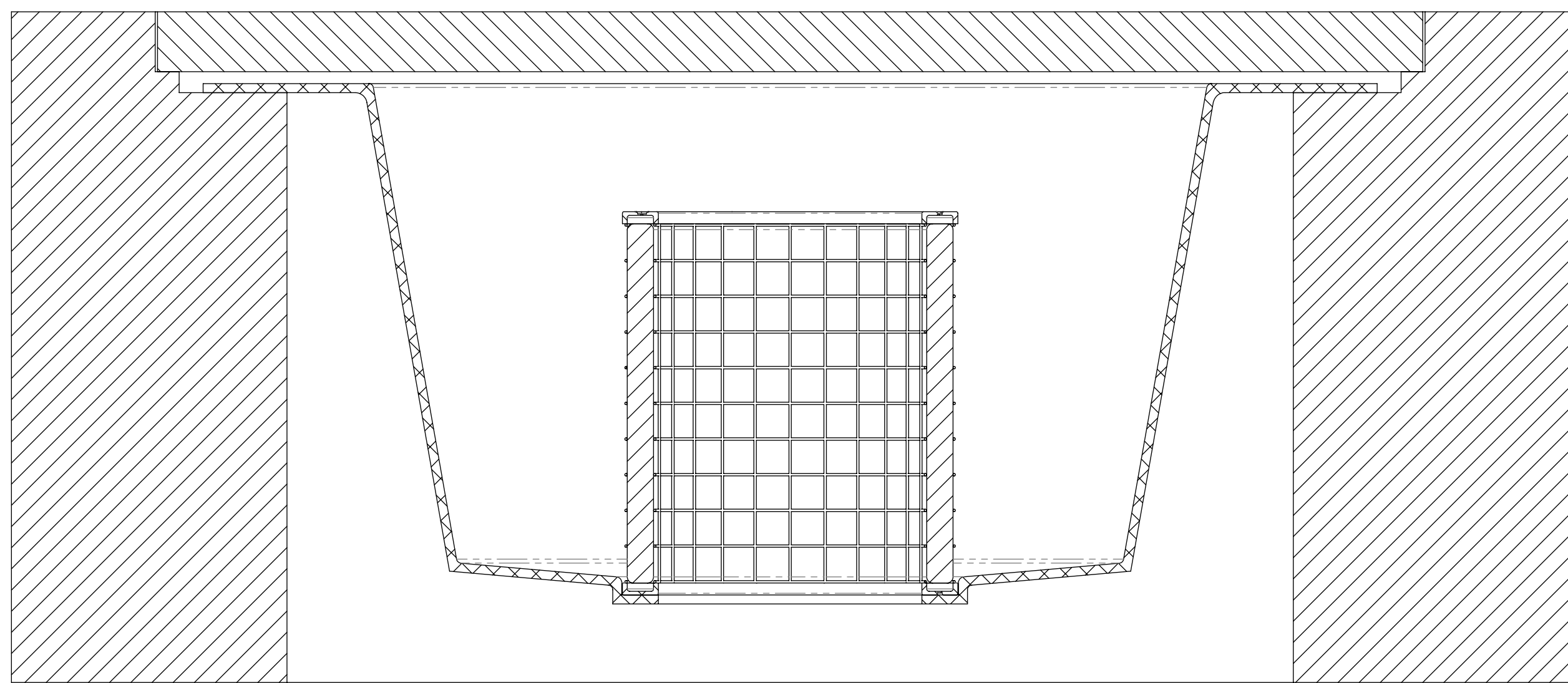
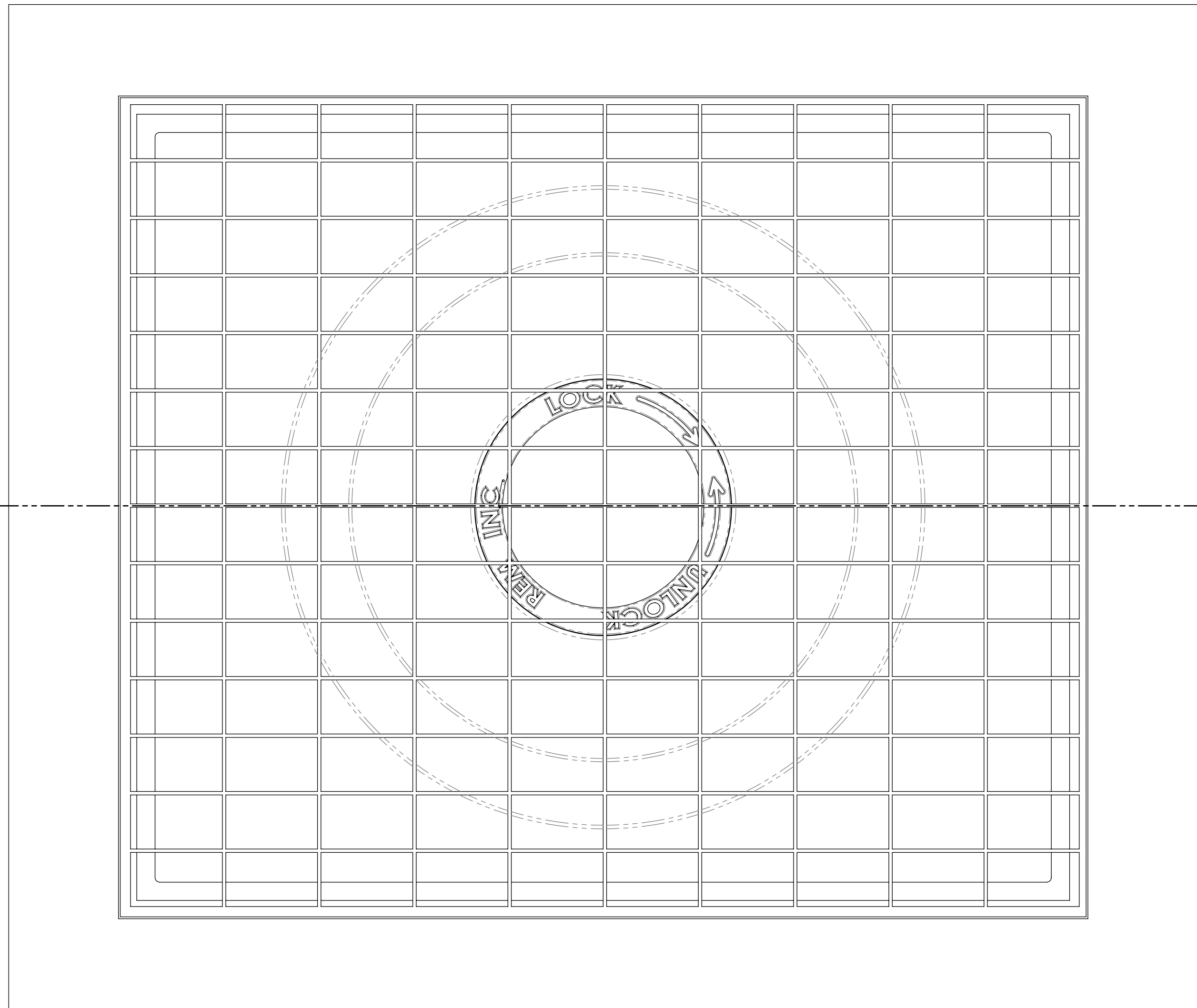
TITLE: DROP INLET FILTER	
SIZE DWG. NO.	REV
D 01-005	A
SCALE: 1:4 WEIGHT:	SHEET 1 OF 4



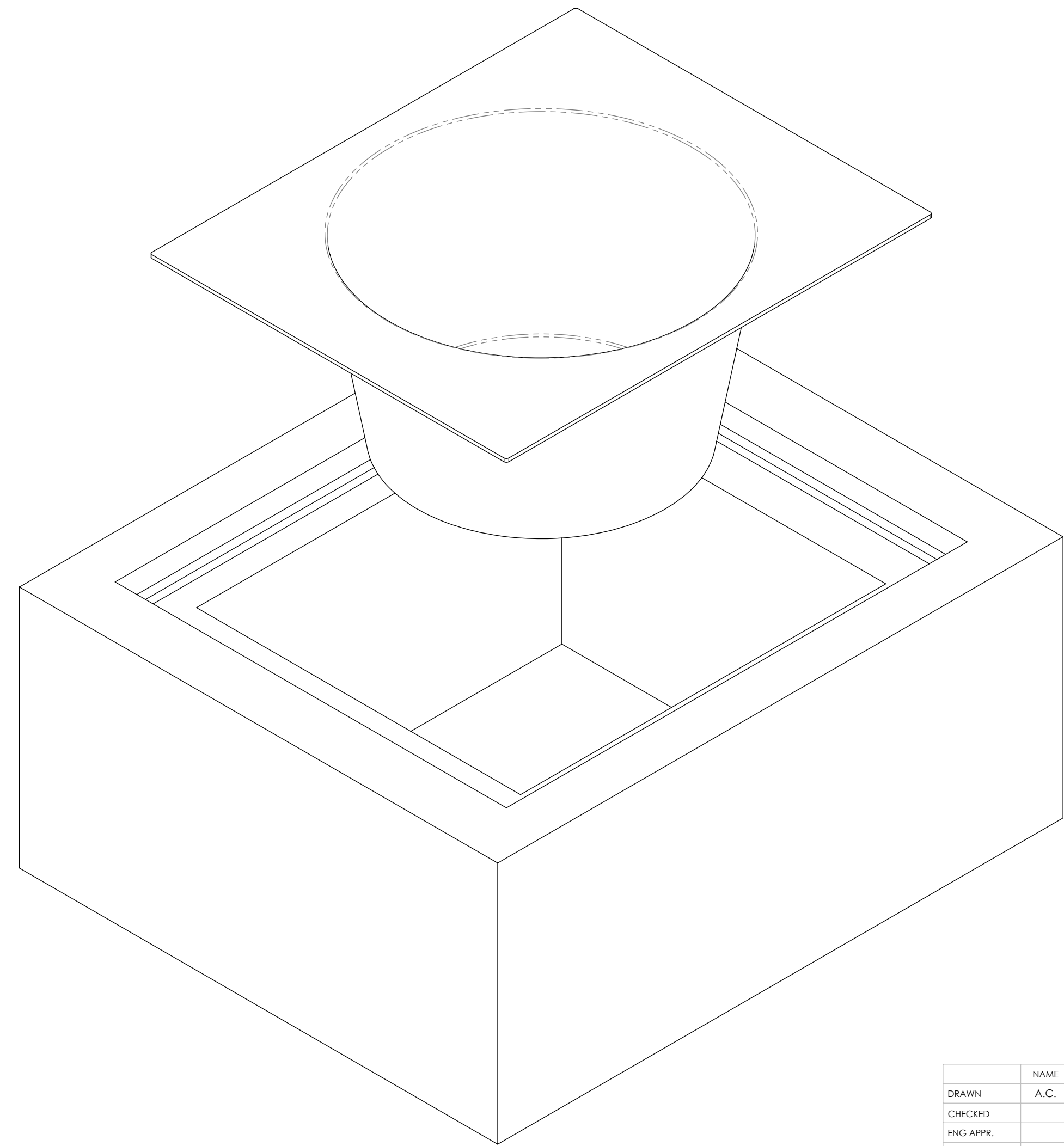
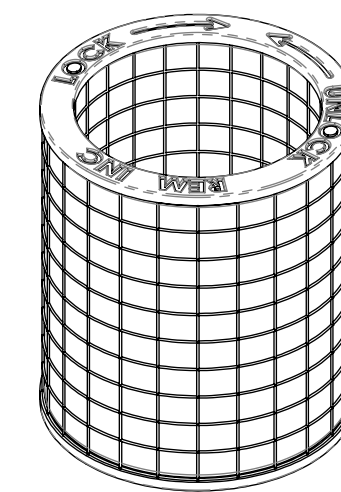
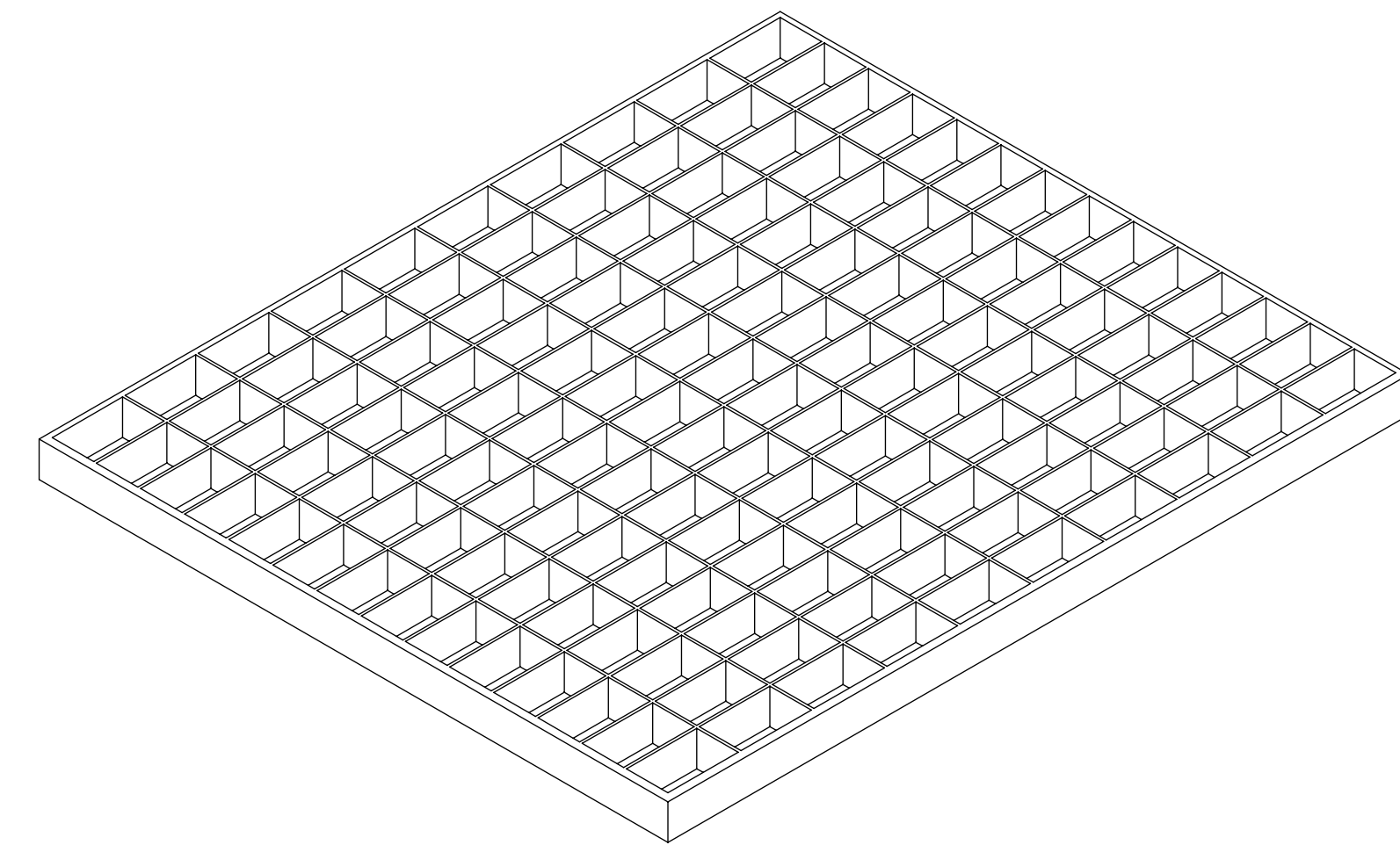
SPECIFIER CHART TRITON DROP INLET FILTERS	INLET INSIDE DIMENSION (ID) Of Catch Basin (inch x inch)
MODEL:	
TR12RD Configured with:	
Cartridge: TR7-CART (4") § (Standard)	12" Dia. RD
Cartridge: TR7-CART (8")	
Cartridge: TR7-CART (16")	
TR1212 Configured with:	
Cartridge: TR7-CART (4) § (Standard)	12" X 12"
Cartridge: TR7-CART (8)	
Cartridge: TR7-CART (16)	
TR16RD Configured with:	
Cartridge: TR7-CART (4) (Shallow)	16" Dia. RD
Cartridge: TR7-CART (8) § (Standard)	
Cartridge: TR7-CART (16) (Deep)	
TR1616 Configured with:	
Cartridge: TR7-CART (4)	16" X 16"
Cartridge: TR7-CART (8) § (Standard)	
Cartridge: TR7-CART (16)	
TR18RD Configured with:	
Cartridge: TR10-CART (4)	18" Dia. RD
Cartridge: TR10-CART (8) § (Standard)	
Cartridge: TR10-CART (16)	
TR1818 Configured with:	
Cartridge: TR10-CART (4)	18" X 18"
Cartridge: TR10-CART (8) § (Standard)	
Cartridge: TR10-CART (16)	
TR1824 Configured with:	
Cartridge: TR10-CART (8) § (Standard)	18" X 24"
Cartridge: TR10-CART (16)	
Cartridge: TR10-CART (32)	
TR2024 Configured with:	
Cartridge: TR10-CART (8) § (Standard)	20" X 24"
Cartridge: TR10-CART (16)	
Cartridge: TR10-CART (32)	
TR2424 Configured with:	
Cartridge: TR14-CART (8) § (Standard)	24" X 24"
Cartridge: TR14-CART (16)	
Cartridge: TR14-CART (32)	
TR24RD Configured with:	
Cartridge: TR14-CART (8) § (Standard)	24" Dia. RD
Cartridge: TR14-CART (16)	
Cartridge: TR14-CART (32)	
TR2436 Configured with:	
Cartridge: TR10-CART (8) (Qty 2) § (Standard)	24" X 36"
Cartridge: TR10-CART (16) (Qty 2)	
Cartridge: TR10-CART (32) (Qty 2)	
TR30RD Configured with:	
Cartridge: TR14-CART (8)	30" Dia. RD
Cartridge: TR14-CART (16) § (Standard)	
Cartridge: TR14-CART (32)	
TR3030 Configured with:	
Cartridge: TR14-CART (8)	30" X 30"
Cartridge: TR14-CART (16) § (Standard)	
Cartridge: TR14-CART (32)	
TR2448 Configured with:	
Cartridge: TR14-CART (8) (Qty 2) § (Standard)	24" X 48"
Cartridge: TR14-CART (16) (Qty 2)	
Cartridge: TR14-CART (32) (Qty 2)	
TR3636 Configured with:	
Cartridge: TR14-CART (8)	36" X 36"
Cartridge: TR14-CART (16) § (Standard)	
Cartridge: TR14-CART (32)	
TR36RD Configured with:	
Cartridge: TR14-CART (8)	36" Dia. RD
Cartridge: TR14-CART (16) § (Standard)	
Cartridge: TR14-CART (32)	
TR42RD Configured with:	
Cartridge: TR14-CART (8)	42" Dia. RD
Cartridge: TR14-CART (16) § (Standard)	
Cartridge: TR14-CART (32)	
TR4848 Configured with:	
Cartridge: TR24-CART (8)	48" X 48"
Cartridge: TR24-CART (17) § (Standard)	
Cartridge: TR24-CART (34)	
TR48RD Configured with:	
Cartridge: TR24-CART (8)	48" Dia. RD
Cartridge: TR24-CART (17) § (Standard)	
Cartridge: TR24-CART (34)	




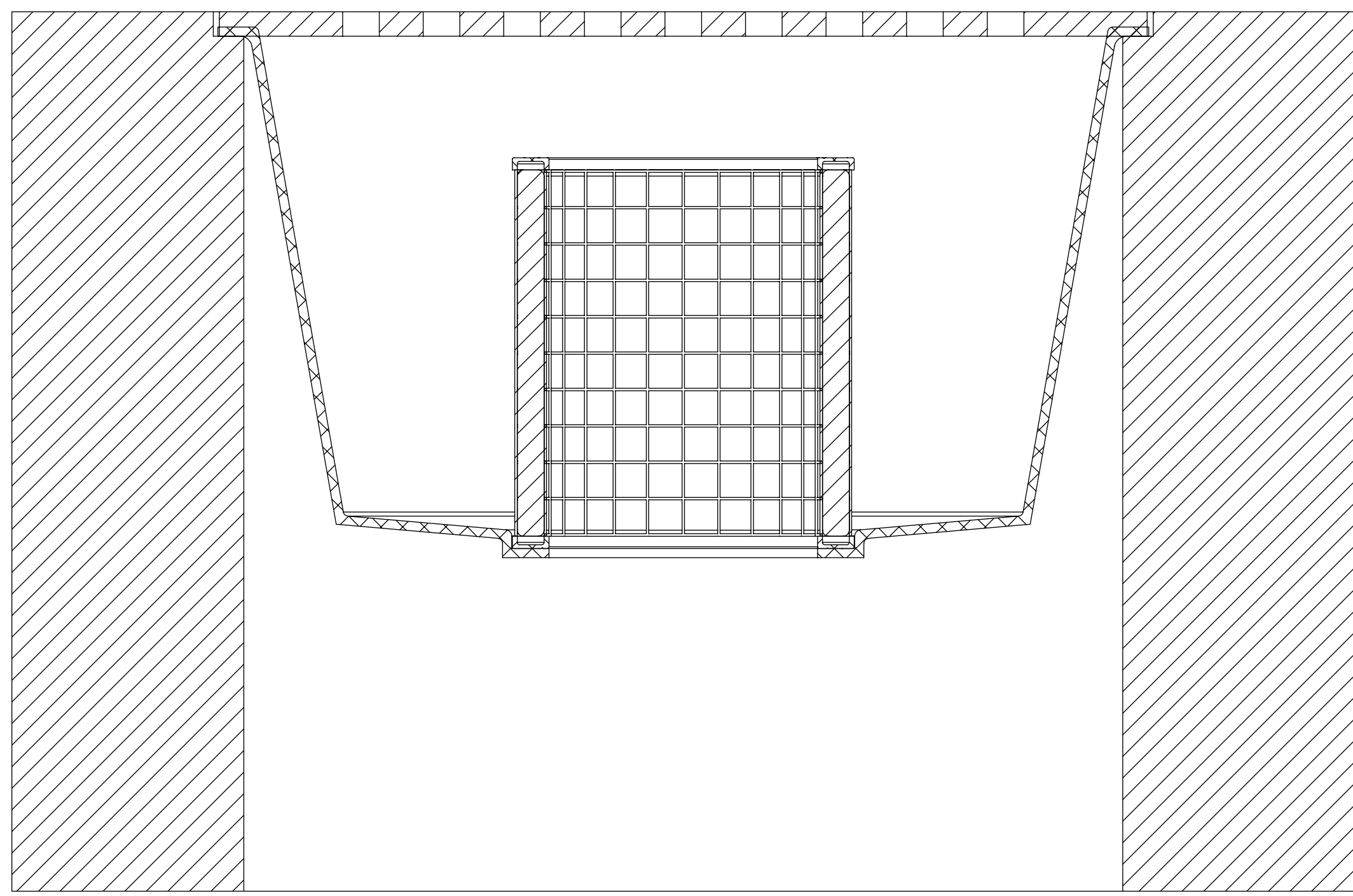
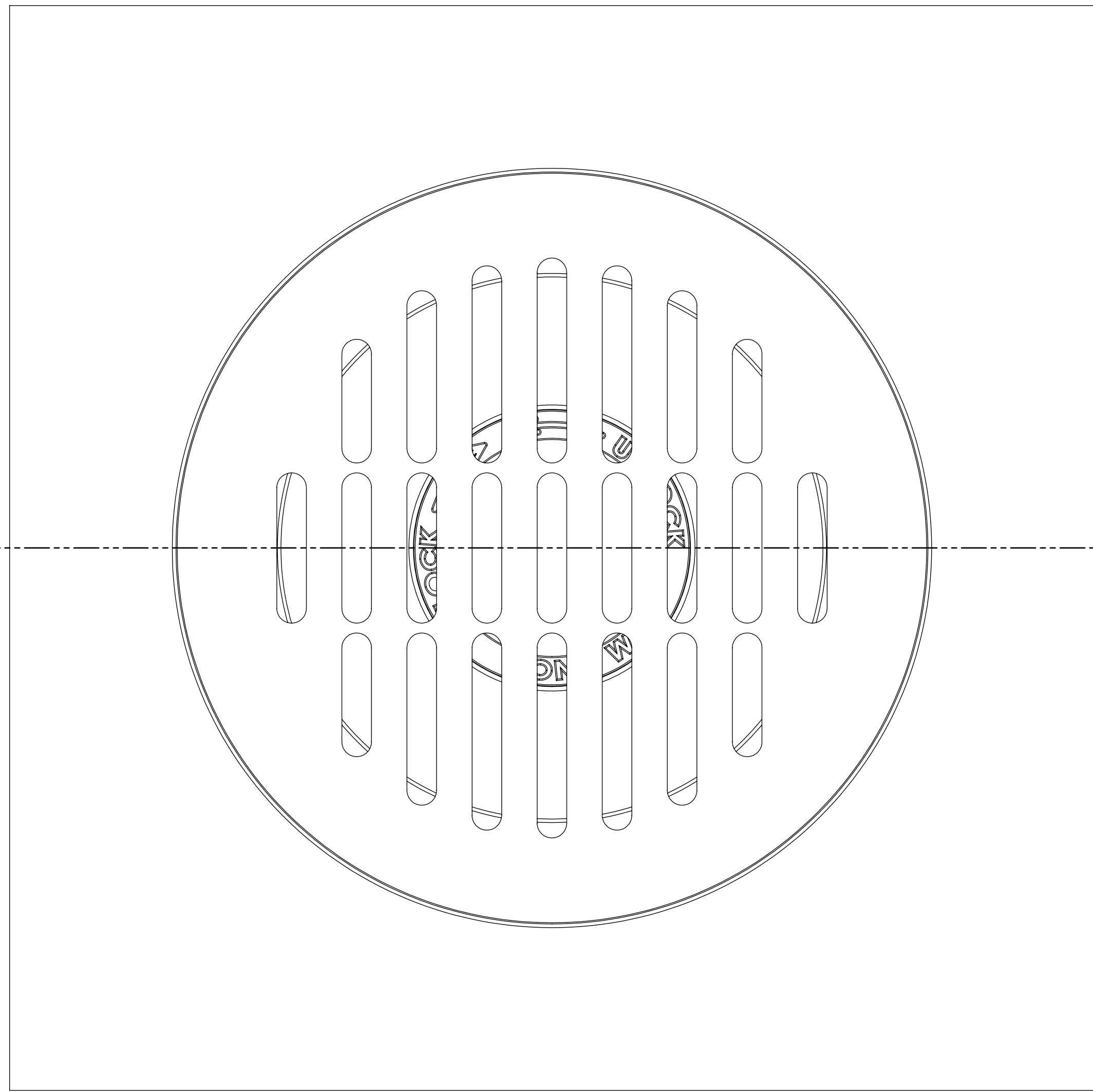
DRAWN	NAME	DATE	 Revel Environmental Manufacturing Inc. 1100 South Grand Avenue Corona, California 92701 P: (951) 254-2300 F: (951) 254-2301
CHECKED	A.C.	2/25/14	
ENG APPR.			
MFG APPR.			
G.A.			
COMMENTS:			TITLE: DROP INLET FILTER SIZE DWG. NO. REV D 01-005 A SCALE: 1:2 WEIGHT: SHEET 2 OF 4



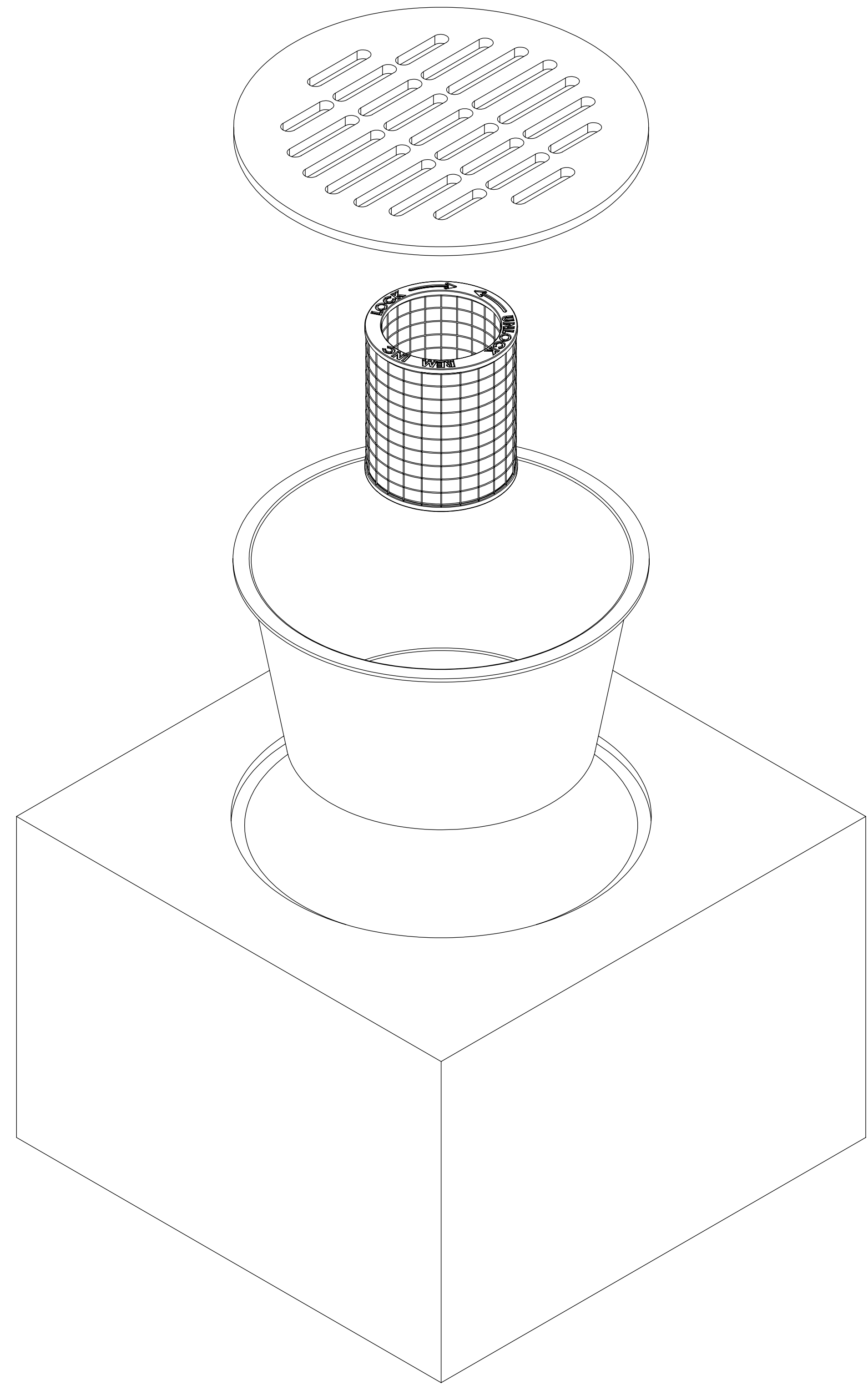
SECTION A-A




DRAWN	NAME	DATE	 Revel Environmental Manufacturing Inc. <small>15000 S. 15th St., Suite 100, San Jose, CA 95131 Phone: 415.255.1735 Fax: 415.255.1736 Email: info@remfg.com Website: www.remfg.com</small>
CHECKED	A.C.	2/6/14	
ENG APPR.			
MFG APPR.			
G.A.			
COMMENTS:			TITLE: DROP INLET FILTER SIZE DWG. NO. REV D 01-005 A SCALE: 1:5 WEIGHT: SHEET 3 OF 4



SECTION B-B



DRAWN	NAME	DATE	 Revel Environmental Manufacturing Inc. <small>1985-2014</small> Newton, MA 02459 781-552-1735 www.revel.com
CHECKED	A.C.	2/25/14	
ENG APPR.			
MFG APPR.			
G.A.			
COMMENTS:			TITLE: DROP INLET FILTER
SIZE DWG. NO.		REV	
D 01-005		A	
SCALE: 1:5 WEIGHT:		SHEET 4 OF 4	