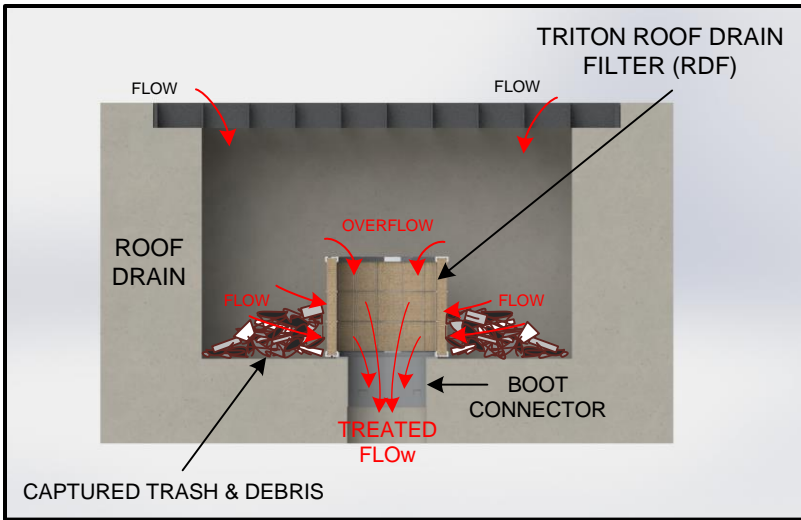


REM's TRITON – (Booted Roof Drain Filter) Series

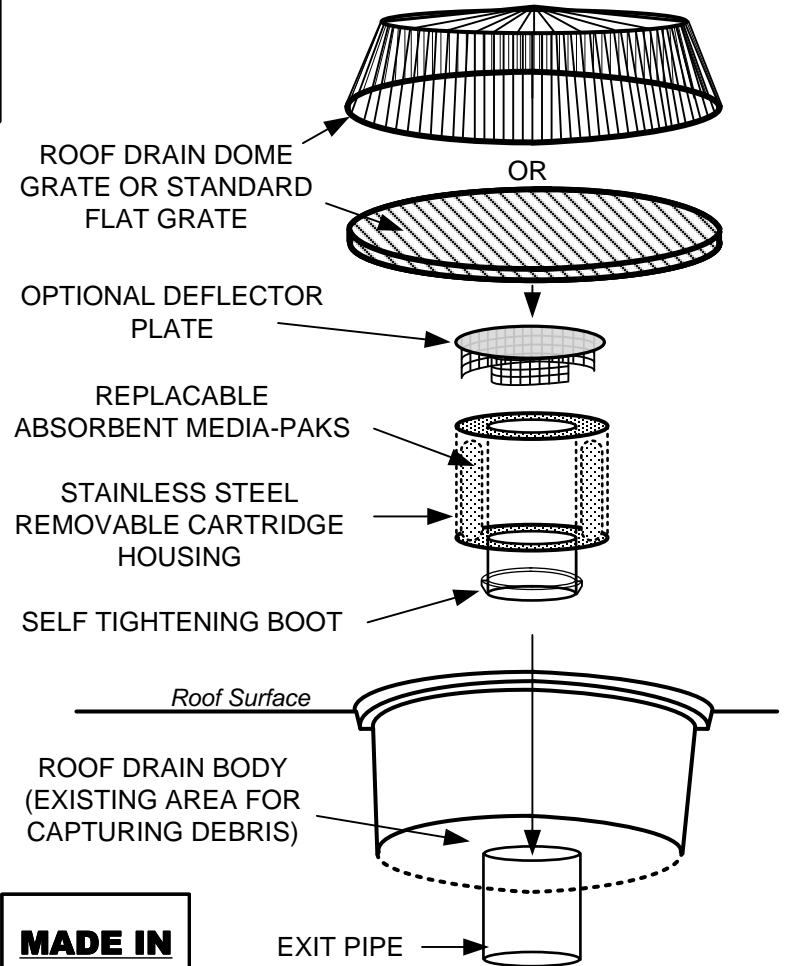
The REM TRITON - BRDF (Booted Roof Drain Filter Series) provides a multipurpose roof drain filter design to capture sediment, trash, debris, suspended solids, oils & grease and other pollutants. TRITON - BRDF filters may be utilized in new construction or retrofitted in existing roof drain structures. They are sized to spec or modified in the field for drains with unusual dimensions and unique frame and grates. Filter Cartridges may be easily removed when servicing. Media strategy may be optimized for specific pollutant concerns.



REM Model RDF-7 installed



TRITON – BOOTED ROOF DRAIN SERIES FILTER
By REM Inc. (888.526.4736)



Side View Cut - Away

MADE IN USA

Notes:

- The TRITON - BRDF Series Filters may be customized in the field to fit roof drain exits with irregular dimensions or unusual frame and grate types.
- REM also designs custom filters for unique storm water infrastructures and applications.
- Filter cartridge housings are constructed utilizing Type 304 Stainless Steel, with 2" welded square openings.
- Removable cartridge tops are constructed utilizing over 80% recycled ABS Plastic.
- REM TRITON replacement Filter Media Packs are charged with REM FOG media an expanded volcanic ash medium treated to be highly hydrophobic housed in a durable geo-textile perforated polypropylene woven fabric. REM FOG media effectively encapsulates liquefied petroleum hydrocarbons (Fats, Oils & Grease including animal fats). The media's hydrophobic characteristic allows for greater polishing of flow resulting in the reduction of Total Suspended Solids (TSS). Suspended solid reduction includes but is not limited to debris, trash, silt sediment and agglomerated heavy metals. (Additional media options are available including mixed blends of granulated carbon [AC] and Zeolite [ZEO].)
- REM TRITON filter cartridges are removable for ease of cleaning and maintenance.
- Filter designs include a high flow overflow bypass to eliminate pooling or flooding during heavy rain events.
- See our Specifier Sheet for sizes, models and flow rate information.
- Maintenance information and replacement REM Media Packs are available upon request by contacting REM at sales@remfilters.com or (888) 526-4736.
- Made in the USA.

Depending upon the depth of roof drains, the heights of the filters may vary due to each application. (Standard height for most drains is 4" to 6")

THE DESIGN AND DETAIL OF THIS DRAWING IS THE PROPERTY OF REM INC. AND IS NOT TO BE USED EXCEPT IN CONNECTION WITH OUR WORK, DESIGN AND INVENTION RIGHTS ARE RESERVED.

U.S. Patent Number:
6,217,757

PH: (888) 526-4736

DIMENSIONS ARE IN INCHES
UNLESS OTHERWISE NOTED.

REM Inc.

**TRITON BOOTED ROOF DRAIN
FILTER SERIES
(BRDF Series)**

SCA	DRAWN BY: C.F.	FOR: Roof Top and Area Drain Combinations	REV
1/4 : 1	DATE: 1/3/2024	SHEET 1 OF 1	