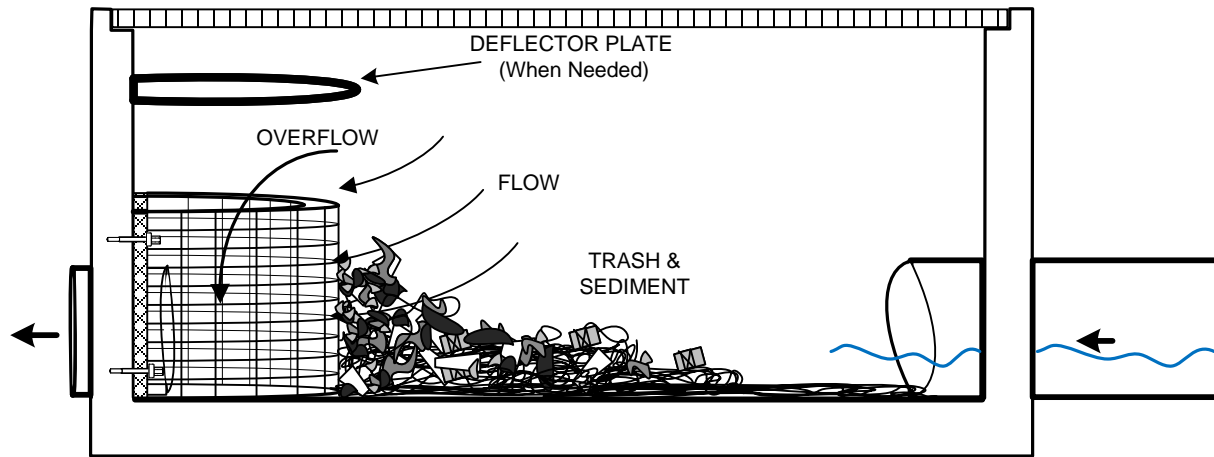


# REM TRITON PERF FTC-CPS (Full Trash Capture Device - Crescent Pipe Screen)

REM designed the TRITON PERF FTC-CPS Filter Series to provide a highly adaptable solution that allows the flexibility to maximize the filter treatment flow rates and TRASH capturing capacity. TRITON FTC-BFTG-CPS filters are designed to capture 100% of trash and debris 5mm or greater in size and may be utilized in new construction or retrofitted in existing catch basin structures. They are sized to spec or modified in the field for drains with unusual dimensions and unique frame and grates. PERF may be combined with granular media strategies to address specific pollutant concerns. Fabricated with 10 Gauge Type 304 Welded Stainless Steel, the REM CPS "arched" design provides superior strength and structural integrity compared to square or lateral devices.

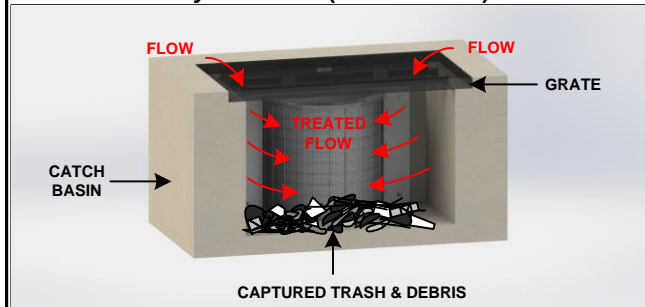


## Notes:

- The TRITON - Crescent Series Filters are available in sizes to fit most industry standard pipes and catch basins. Custom sizes are also available to fit most applications.
- Filter cartridge housings are constructed utilizing 10 Gauge Type 304 Stainless Steel, with 2" welded square openings.
- Removable crescent tops are constructed utilizing over 90% recycled ABS Plastic.
- REM TRITON PERF-FTC uses 5mm perforated screen designed to capture debris, trash and sediment. The device is approved by the State Regional Water Control Board as a "Full Trash Capture" device. (Additional media options are available including mixed blends of granulated carbon [AC] and Zeolite [ZEO] expanded perlite (FOG), and Bioflex (BFTG).
- Filter designs include a high flow overflow bypass to eliminate pooling or flooding during heavy rain events.
- Optional Deflector Plate routes flow onto the filtering side of filter. Certain application may not need this option.
- See our Specifier Sheet for sizes, and flow rates.
- Maintenance information and replacement media packs are available upon request by contacting REM at sales@remfilters.com or (888) 526-4736.

## TRITON PERF FTC-CPS CRESCENT PIPE SCREEN SERIES FILTER

By REM Inc. (888.526.4736)



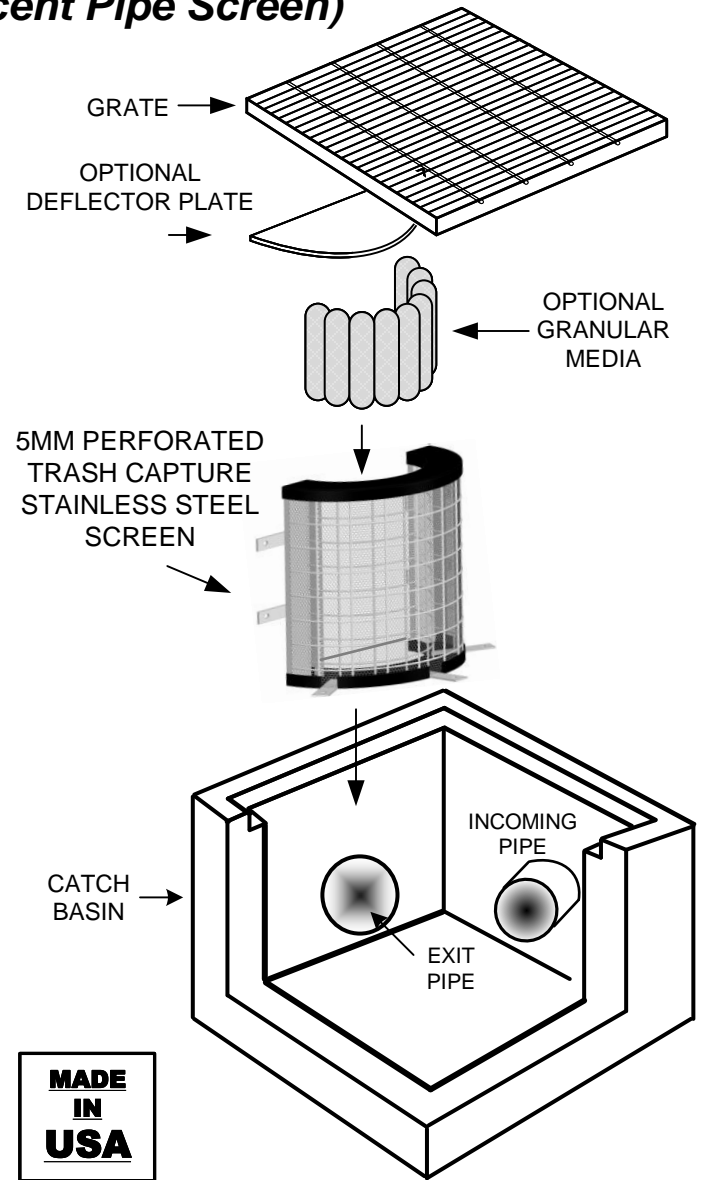
CPS size may vary by catch basin.  
Taller cartridge options provide greater volume capacity and increased treatment rates.

THE DESIGN AND DETAIL OF THIS DRAWING IS THE PROPERTY OF REM INC. AND IS NOT TO BE USED EXCEPT IN CONNECTION WITH OUR WORK, DESIGN AND INVENTION RIGHTS ARE RESERVED.

PATENT PENDING

PH: (888) 526-4736

DIMENSIONS ARE IN INCHES UNLESS OTHERWISE NOTED.



**MADE IN USA**

# REM Inc.

## TRITON PERF FTC-CPS SERIES

(Full Trash Capture System)  
Crescent Pipe Screen

SCA	DRAWN BY: C.F.	FOR: Inline Filtering	REV
1/4 : 1	DATE: 3/1/2015	SHE	1 OF 1



## Revel Environmental Manufacturing Inc.

960-B Detroit Avenue  
Concord, California 94518  
sales@remfilters.com  
www.remfilters.com

Phone (888) 526 4736  
Phone (925) 676 4736  
Fax (925) 676 8676  
Lic. No. 857410

### **Optional Vector Bypass Deflector**

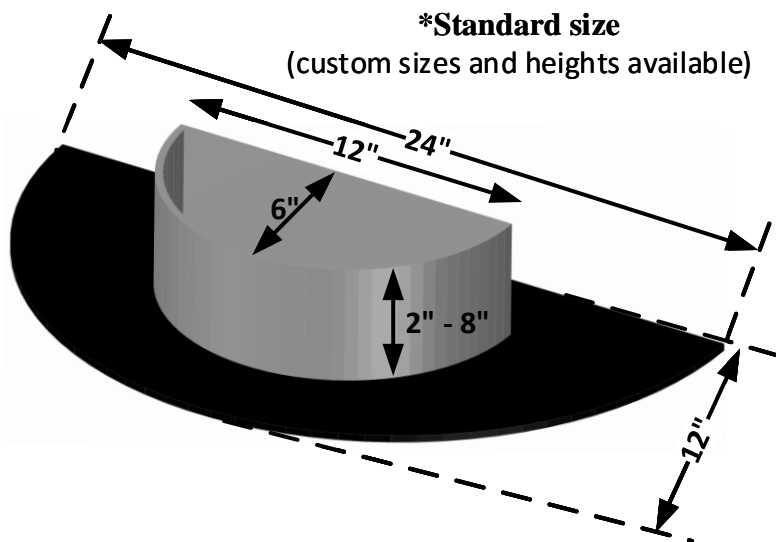
*(For use when needed or required.)*

The REM CPS (Crescent Pipe Screen) comes standard, with no overhead deflector. This leaves the backside and front side of the units accessible at all times. When needed, REM has an optional deflector plate that allows for easy access to the center and backside of the device.

When a deflector plate is needed, we have an optional Vector Control specific design that allows access to the backside of the units through a center opening on the plate itself. The opening has elevated walls to continuously act as a guard to prevent trash and debris from bypassing the unit.

Simply insert the Vector application through the elevated center opening of the deflector plate.

This minimizes or eliminates the need for any technician adjustments of the device for the application of abatement control measures.



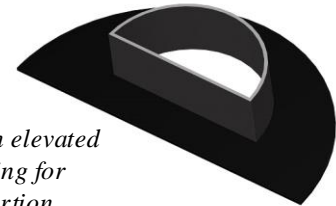
### **Notes:**

- Deflector plates are constructed using .5" thick HDPE.
- Plates can also be constructed using Type 304 stainless steel with 4.8mm openings.
- Plates are attached to wall with stainless steel brackets at the required or most appropriate height.
- Elevated walls can be modified in height between 2" - 8" tall.
- Units come with floor level notches on the front and backside of the bottom cap to prevent standing water build up.

## REM TRITON CPS – FTC Crescent Pipe Screen Deflector Lid (Vector Control Accessibility)

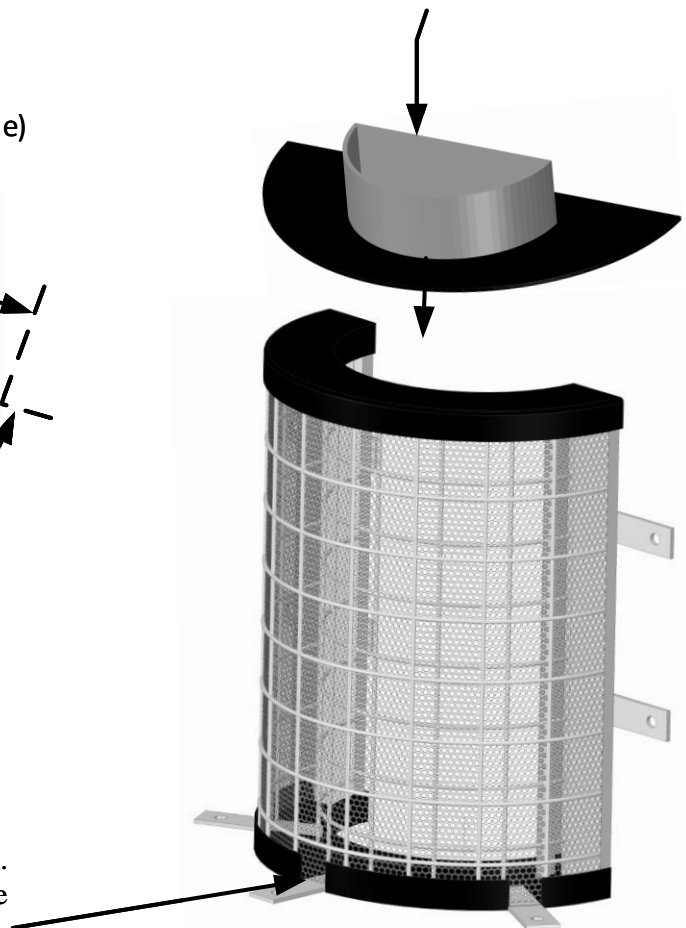


Standard REM CPS-PERF FTC device installation



Clear opening with elevated walls surrounding for abatement insertion.

Insert abatement application through opening





# Revel Environmental Manufacturing Inc.

sales@remfilters.com (888) 526-4736 Lic. No. 857410

Northern California  
960-B Detroit Avenue  
Concord, California 94518  
P: (925) 676-4736  
F: (925) 676-8676

Southern California  
2110 South Grand Avenue  
Santa Ana, California 92705  
P: (714) 557-2676  
F: (714) 557-2679

# REM TRITON CPS – PERF - FTC

### Product Overview:

The TRITON CPS (Connector Pipe Screens) were designed to be installed in front of a catch basins outlet pipe. This allows stormwater entering the catch basin to be filtered before exiting through its lateral pipes.

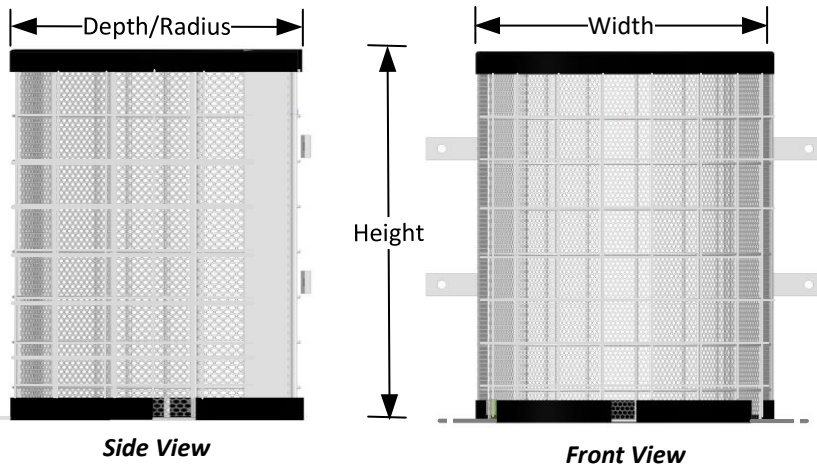
CPS's utilizes the catch basins as part of the capturing device, allowing for more debris volume capacity.

The CPS is designed to capture gross solids larger than 5 mm within the catch basin itself, making it an excellent filter for trash capture.

All CPS's have built in overflow / bypass systems to help prevent against flooding if filter becomes blinded.

Trash and debris are trapped within the catch basin allowing for easy maintenance.

TRITON CPS are both easy to install and affordable solution for trash capture requirements.

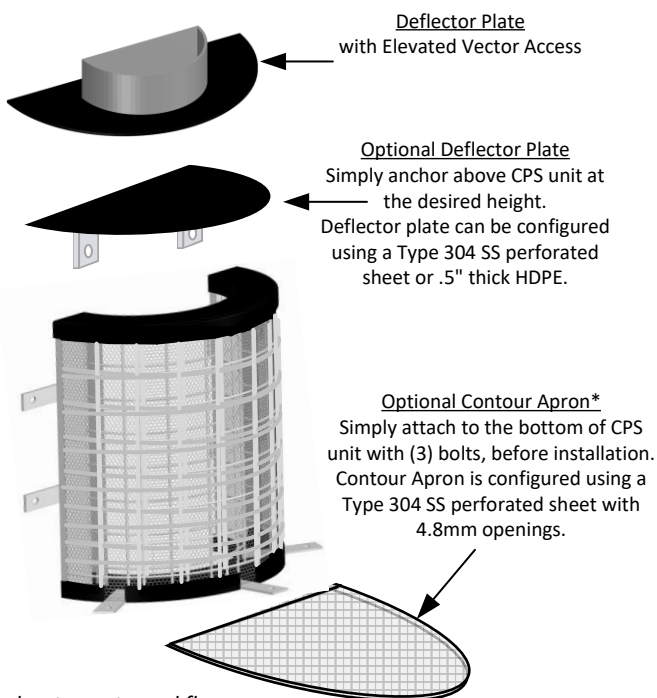


### Standard Size Dimensions

Model:	TR20(12)CPS-PERF-FTC	TR24(16)CPS-PERF-FTC	TR28(16)CPS-PERF-FTC	TR40(18)CPS-PERF-FTC
Width:	20"	24"	28"	40"
Height:	12"	16"	16"	18"
Depth/Radius:	8"	12"	14"	20"
Max Treatment Rate:	4.27 (CFS)	7.59 (CFS)	8.85 (CFS)	14.23 (CFS)
Bypass Radius:	6"	10"	12"	18"
Bypass Flow:	15.48 (CFS)	25.65 (CFS)	29.24 (CFS)	42.55 (CFS)

### Notes:

- Units are constructed using Type 304 10ga. Stainless Steel inner and outer housing support for added structural integrity.
- CPS Stainless Steel housing and additional attached SS parts are spot welded.
- REM TRITON PERF-FTC uses 5mm perforated stainless steel screen, designed to capture debris, trash and sediment. The device is approved by the State Regional Water Control Board as a "Full Trash Capture" device. (Additional media options are available including mixed blends of granulated carbon [AC] and Zeolite [ZEO] expanded perlite (FOG), and Bioflex (BFTG).
- Filter designs include a high flow overflow bypass to eliminate pooling or flooding during heavy rain events.
- Removable crescent tops are constructed utilizing over 90% recycled ABS Plastic.
- Multiple units can be mounted vertically to increase capture capacity.
- CPS unit is capable of housing an absorbent media if ever required, with no retrofitting or modifications needed.
- CPS unit can also be elevated off the basin floor in "Sump" type basins.
- Custom sizes and configurations are available.
- **Made in the USA.**



\*Anchor to contoured floors where needed.

